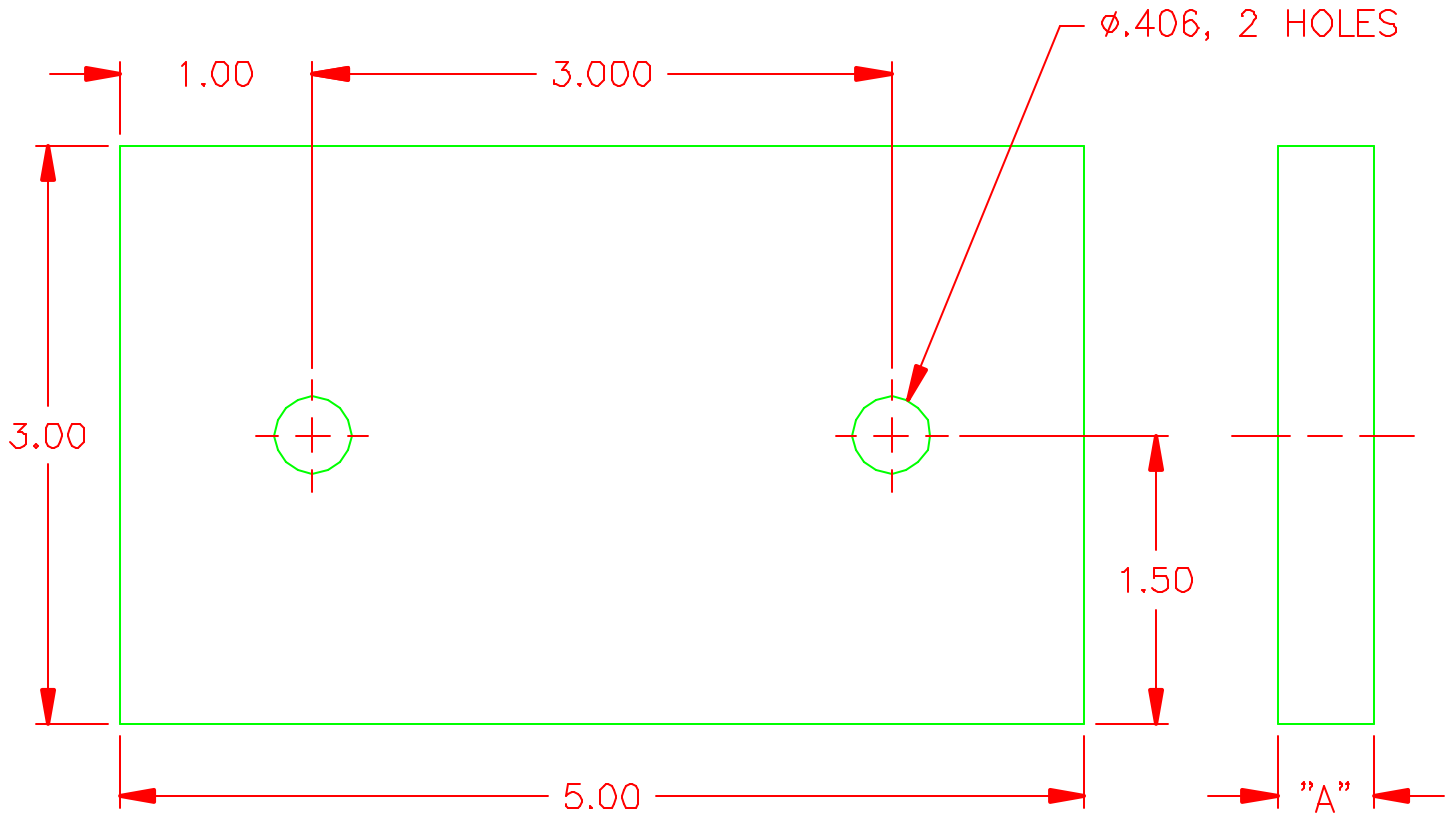


NOTES: UNLESS OTHERWISE SPECIFIED

- 1. REMOVE ALL BURRS AND SHARP EDGES .010 R MAX
- 2. MACHINED SURFACE ROUGHNESS 125 ✓
- 3. MAT'L: ALUMINUM ALLOY
- 4. FINISH: BLACK ANODIZE

REVISIONS

LTR	DESCRIPTION	ECR	DATE	BY	APRV
-----	-------------	-----	------	----	------



PART No.	"A" DIM
2150.267A002-1	.50
2150.267A002-2	1.50

TOLERANCES UNLESS OTHERWISE NOTED
 DECIMALS FRACTIONS ANGULAR
 .XX ± .03 ± - ± 0'30'
 .XXX ± .010

NATIONAL OPTICAL ASTRONOMY OBSERVATORIES
 OPERATED BY THE
 ASSOCIATION OF UNIVERSITIES FOR RESEARCH IN ASTRONOMY
 UNDER COOPERATIVE AGREEMENT WITH
 NATIONAL SCIENCE FOUNDATION

NEXT ASSEMBLY 2150.267E004	NAME SPACER				REF FILE 1171	
					USED ON	
SCALE FULL	DESIGNED BY	DATE	APPROVED BY	DATE	DWG NO 2150.267A002	REV
DRAWING PRODUCED USING AUTOCAD v.14	DRAWN BY J.HOEY	DATE 04/29/99	APPROVED BY	DATE		
ISSUED	CHECKED BY	DATE	APPROVED BY	DATE	RELEASED	SHEET OF