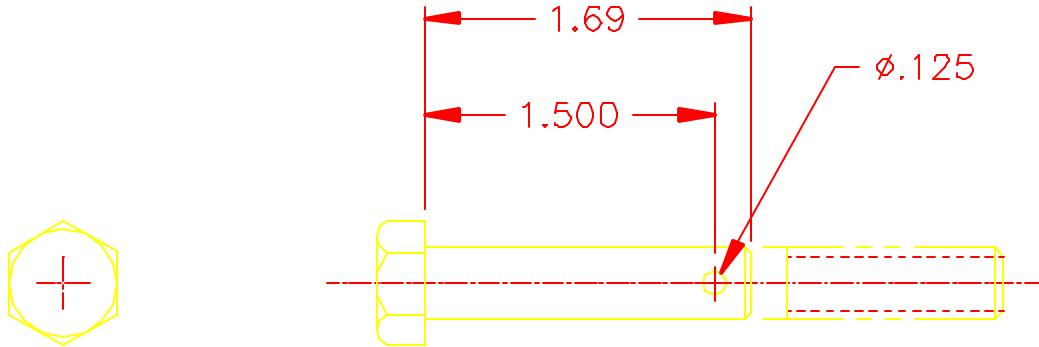


**NOTES:** UNLESS OTHERWISE SPECIFIED

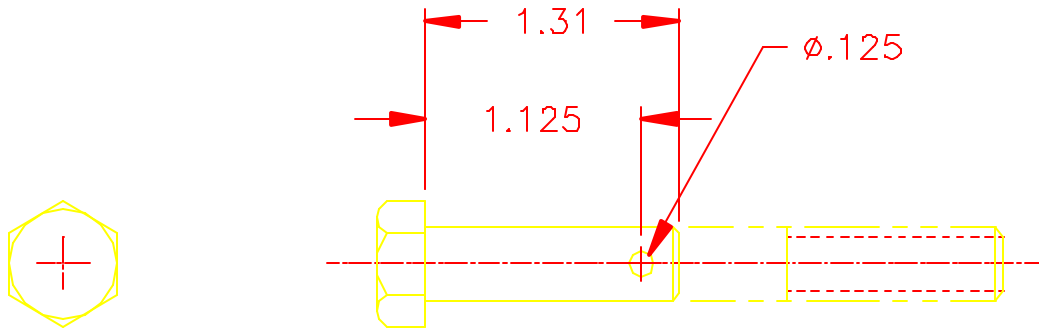
- 1. REMOVE ALL BURRS AND SHARP EDGES .030 R MAX
- 2. MACHINED SURFACE ROUGHNESS 125 ✓
- 3. MAT'L: 3/8-24 X 3 LG HEX HD SCREW

REVISIONS

LTR	DESCRIPTION	ECR	DATE	BY	APRV
-----	-------------	-----	------	----	------



2150.267A001-2



2150.267A001-1

TOLERANCES UNLESS OTHERWISE NOTED  
 DECIMALS FRACTIONS ANGULAR  
 .XX ± .03 ± - ± 0'30"  
 .XXX ± .010

NATIONAL OPTICAL ASTRONOMY OBSERVATORIES  
 OPERATED BY THE  
 ASSOCIATION OF UNIVERSITIES FOR RESEARCH IN ASTRONOMY  
 UNDER COOPERATIVE AGREEMENT WITH  
 NATIONAL SCIENCE FOUNDATION

NEXT ASSEMBLY 2150.267E004	NAME  CLEVIS PIN				REF FILE 1171	
					USED ON	
SCALE FULL	DESIGNED BY	DATE	APPROVED BY	DATE	DWG NO 2150.267A001	REV
DRAWING PRODUCED USING AUTOCAD v.14	DRAWN BY J.HOEY	DATE 04/26/99	APPROVED BY	DATE		
ISSUED	CHECKED BY	DATE	APPROVED BY	DATE	RELEASED	SHEET OF