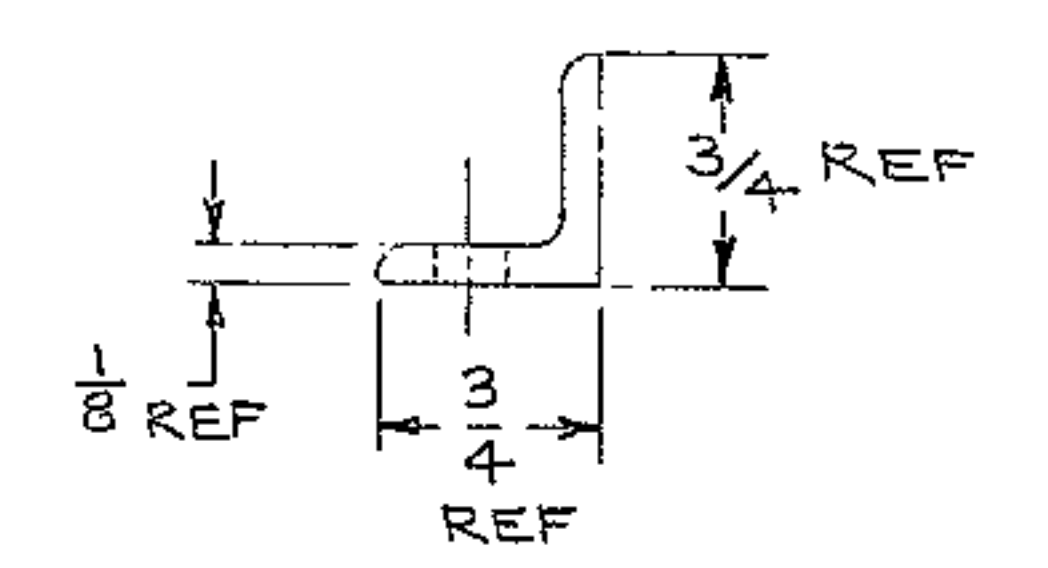
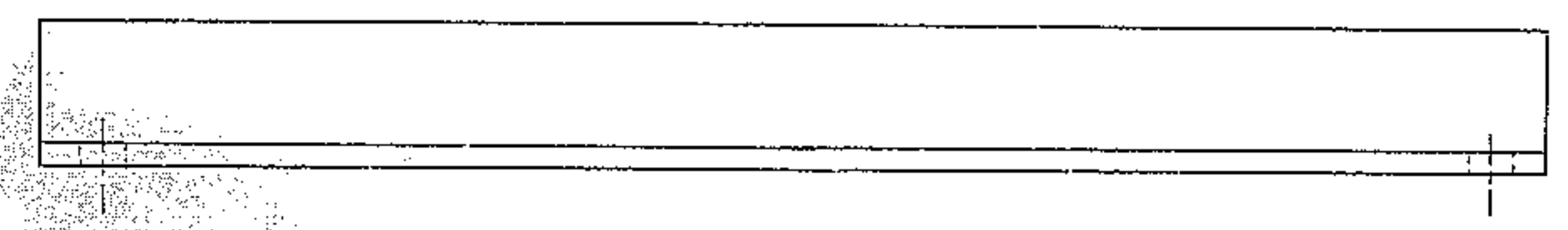
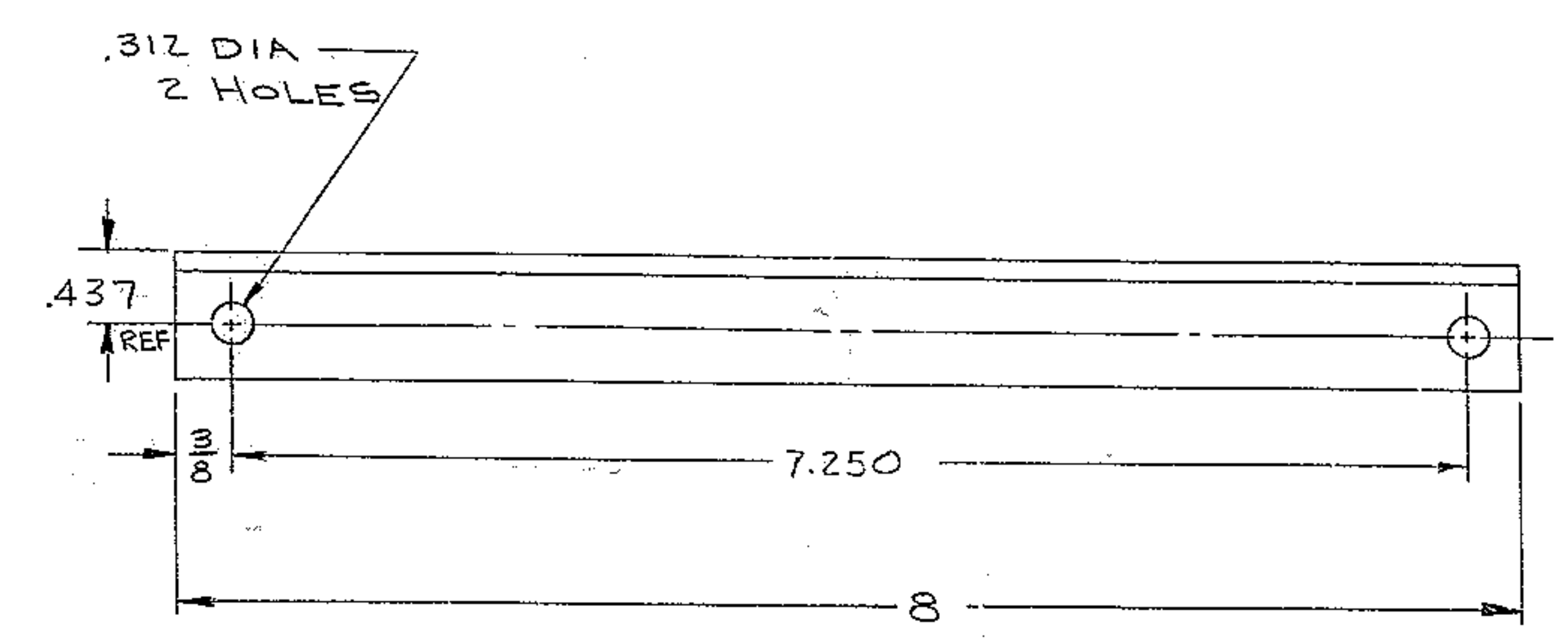
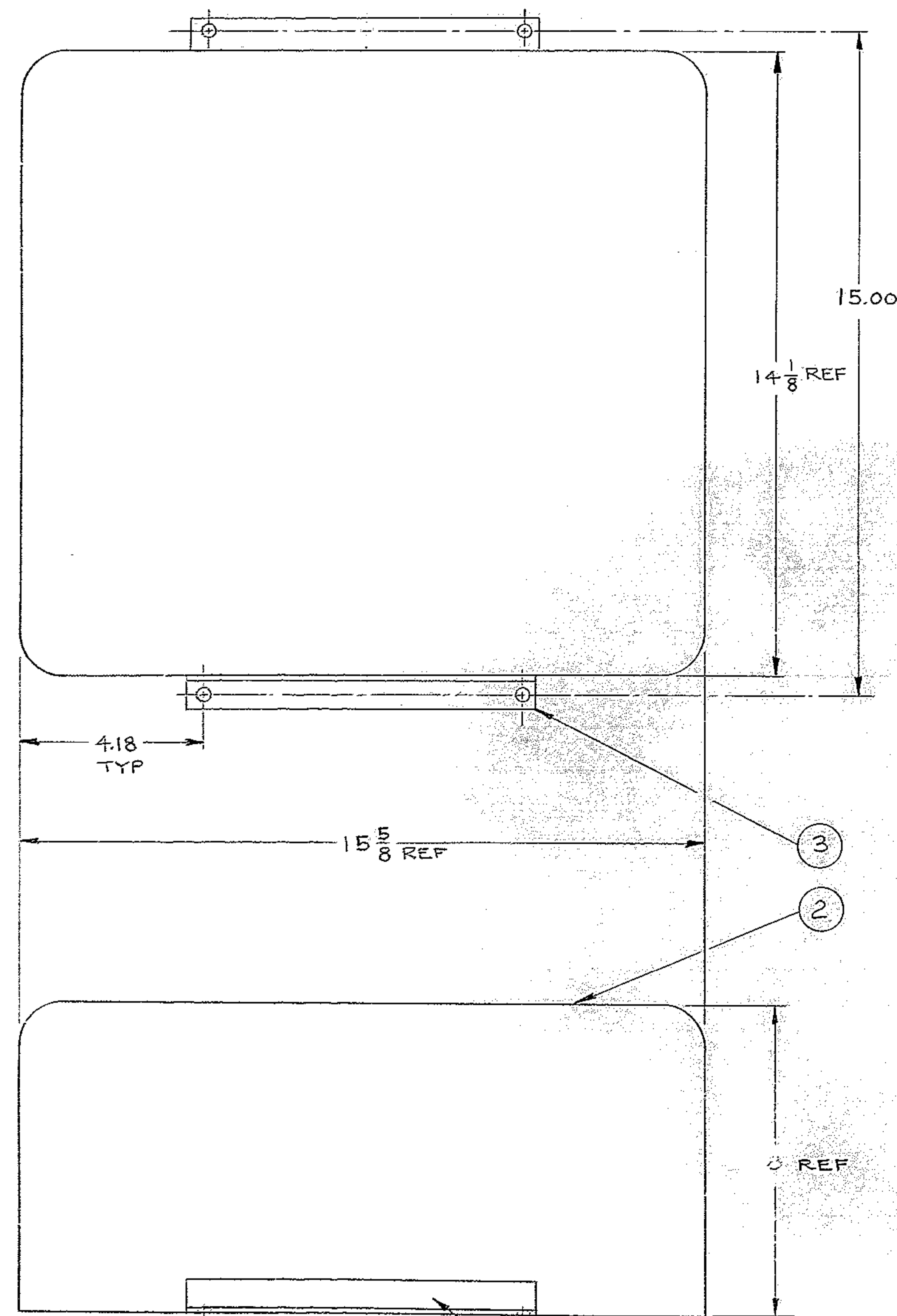
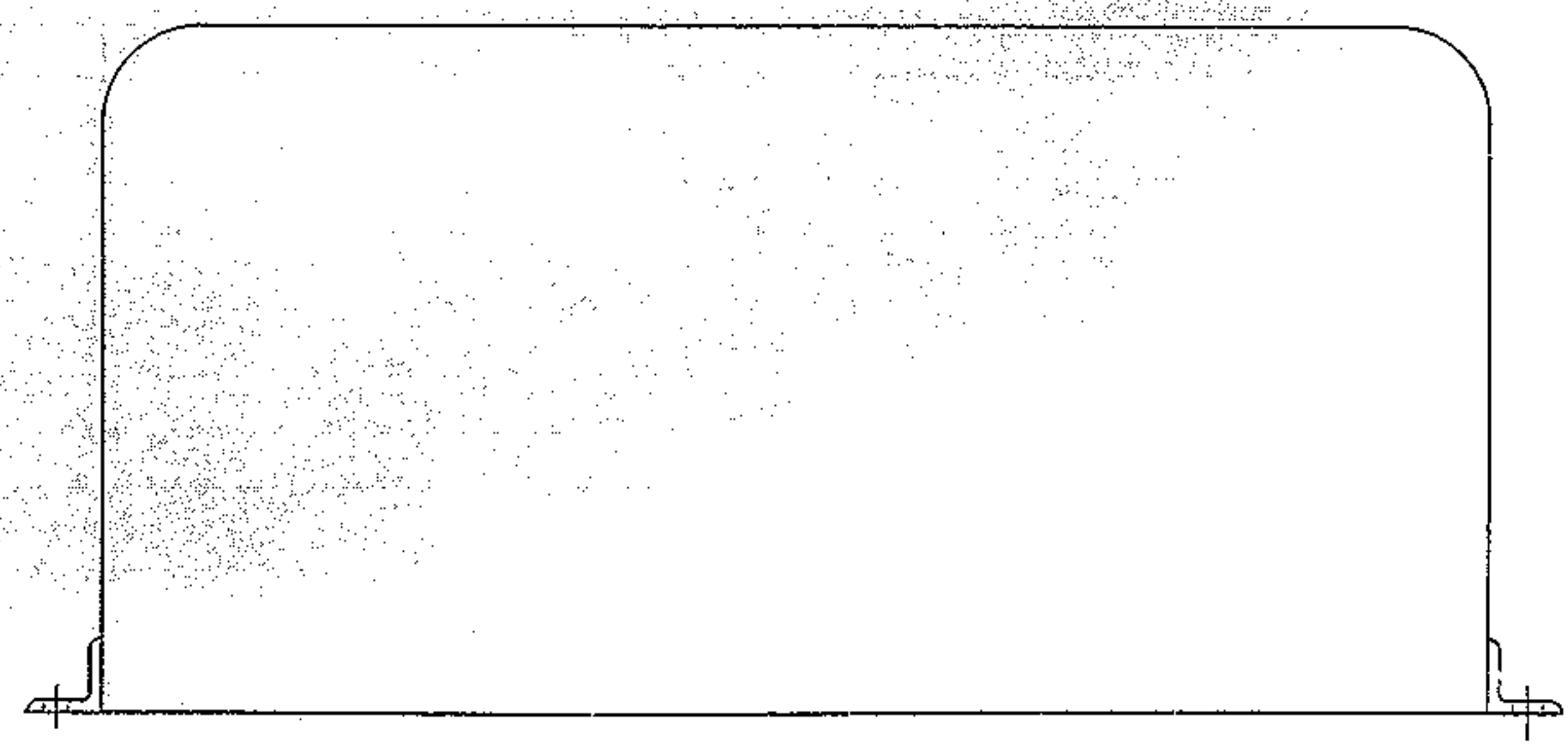
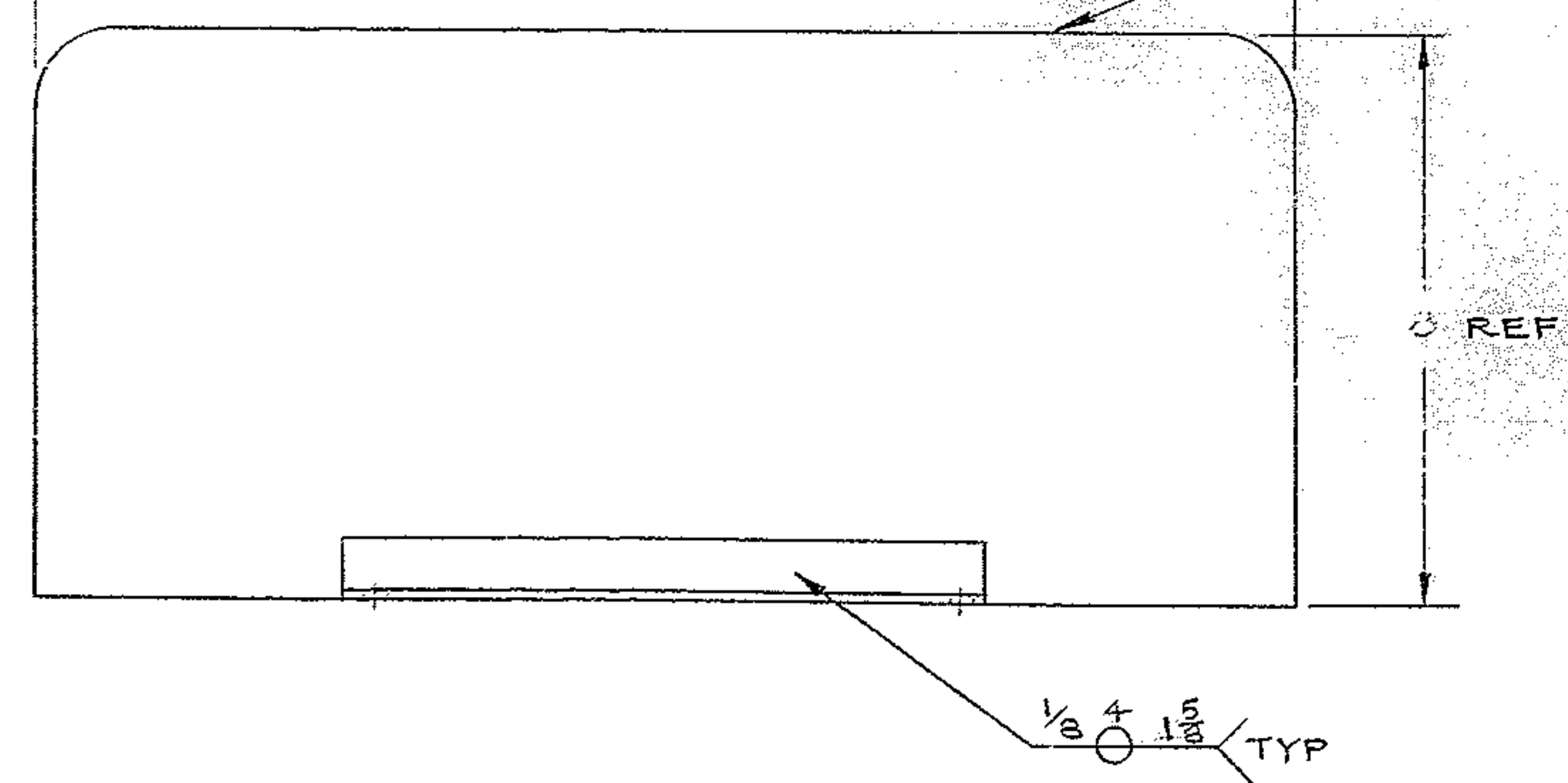


BILL OF MATERIAL				
ITEM	QTY.	MATERIAL	DESCRIPTION	WEIGHT
1	1	AL ALY	Z226-250 ACF 8" HIGH-ZERO MFG CO	
2	2	G061-T6	3/4 X 3/4 X 1/8 AL ALY L	



SCALE: FULL SIZE



- 6-FINISH: BLACK SULFURIC ANODIZE
- 5-BREAK SHARP EDGES .03
- 4-IDENTIFY-BY _____ AT-LOCATION _____ "AURA-ING: MADE IN U.S.A."
- 3-STAMP-MATCH-MARKS-ON-ALL-MATING-PARTS-WHERE-NECESSARY
- 2-PROJECT-DRAWINGS _____
- 1-FOR NEXT ASSY. SEE Z150.266-D202

NOTES:

KITT PEAK NATIONAL OBSERVATORY
 OPERATED BY THE
 ASSOCIATION OF UNIVERSITIES FOR RESEARCH IN ASTRONOMY, INC.
 UNDER CONTRACT WITH
 NATIONAL SCIENCE FOUNDATION

150 INCH STELLAR TELESCOPE REF. FILE 1173
 NAME _____ SCALE 1/2 & NOTED
 COVER ASSEMBLY-ELECTRICAL PRINT ISSUED
 AIR CONTROLLER

DESIGNED BY SHIVELY DATE 2-23-71 APPROVED BY DATE 8-30-72
 DRAWN BY DATE 2-23-71 APPROVED BY DATE
 CHECKED BY DATE APPROVED BY DATE

DRAWING NUMBER 2150.266-D204 REV.

LET.	REVISION	ECR	DATE	BY