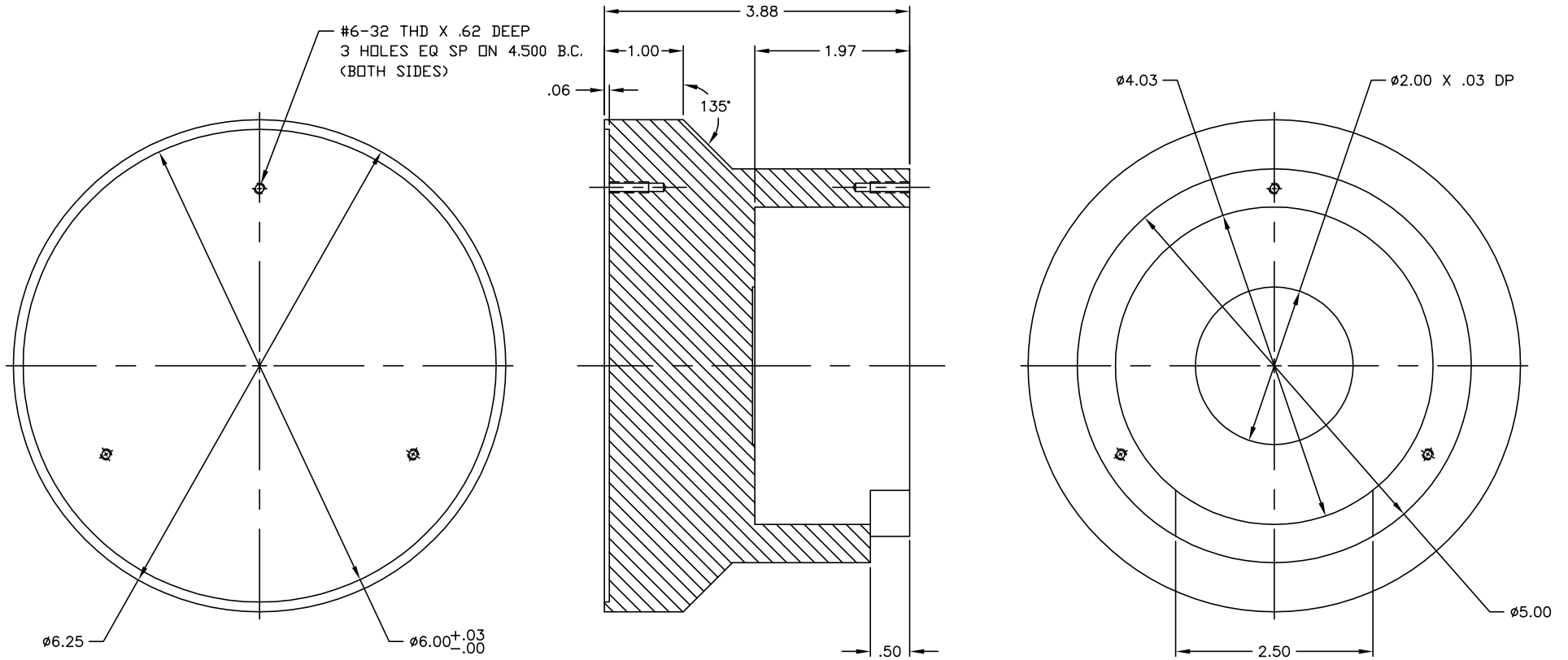


NOTES: UNLESS OTHERWISE SPECIFIED

1. REMOVE ALL BURRS AND SHARP EDGES .015
2. MACHINED SURFACE ROUGHNESS 125 ✓
3. MAT'L: ALUMINUM ALLOY 6061-T6
4. FINISH: BLACK ANODIZE

| REVISIONS | | | | | |
|-----------|-----|-------------|-----|------|----|
| ZONE | LTR | DESCRIPTION | ECR | DATE | BY |
| | | | | | |



| QTY REQD | PART OR IDENTIFYING NO | DESCRIPTION | MATERIAL/SPECIFICATION | ZONE | ITEM NO |
|-----------------------------------|------------------------|---|------------------------|--------------|---------|
| TOLERANCES UNLESS OTHERWISE NOTED | | NATIONAL OPTICAL ASTRONOMY OBSERVATORIES | | | |
| DECIMALS | | OPERATED BY THE | | | |
| .XX ± .03 | | ASSOCIATION OF UNIVERSITIES FOR RESEARCH IN ASTRONOMY | | | |
| FRACTIONS | | UNDER COOPERATIVE AGREEMENT WITH | | | |
| .XXX ± .010 | | NATIONAL SCIENCE FOUNDATION | | | |
| NEXT ASSEMBLY | | NAME | | REF FILE | |
| 2150.260D305 | | PAD-SUPPORT MIRROR JACK | | 1171 | |
| SCALE: | | DESIGNED BY | | USED ON | |
| FULL | | J.HOEY | | | |
| DRAWING PRODUCED USING | | DATE | | APPROVED BY | |
| AUTOCAD v.14 | | 3/23/00 | | | |
| PRINT ISSUED | | CHECKED BY | | DATE | |
| | | | | 2150.260C307 | |
| | | | | RELEASED | |
| | | | | SHEET | |
| | | | | OF | |