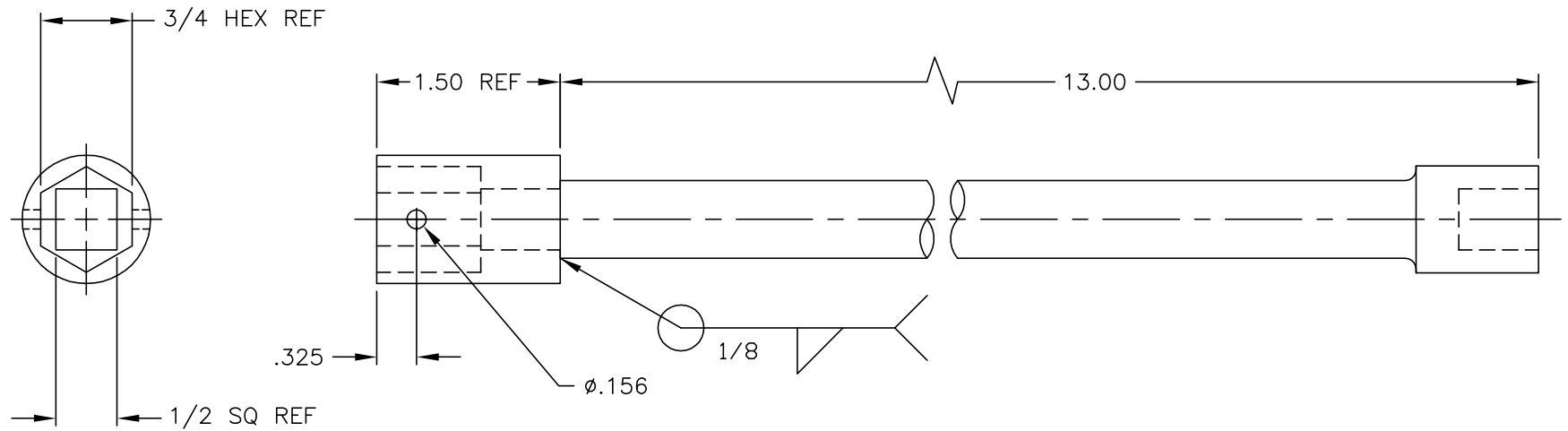


NOTES: UNLESS OTHERWISE SPECIFIED

1. REMOVE ALL BURRS AND SHARP EDGES $\pm .015$
2. MACHINED SURFACE ROUGHNESS 125 ✓
3. MAT'L: MAKE FROM 20" EXTENSION-PROTO #5464 & SOCKET-PROTO #5424H
4. FINISH:

REVISIONS					
LTR	DESCRIPTION	ECR	DATE	BY	APRV



TOLERANCES UNLESS OTHERWISE NOTED DECIMALS FRACTIONS ANGULAR $.XX \pm .03$ $\pm -$ $\pm 0^{\circ}30'$ $.XXX \pm .010$			NATIONAL OPTICAL ASTRONOMY OBSERVATORIES OPERATED BY THE ASSOCIATION OF UNIVERSITIES FOR RESEARCH IN ASTRONOMY UNDER COOPERATIVE AGREEMENT WITH NATIONAL SCIENCE FOUNDATION		
NEXT ASSEMBLY 2150.269D305		NAME EXTENSION		REF FILE 1171	
SCALE FULL		DESIGNED BY J.HOEY		DATE 4/4/00	
DRAWING PRODUCED USING AUTOCAD v.14		CHECKED BY		DATE	
ISSUED		APPROVED BY		DATE	
DWG NO 2150.260B315				REV	
RELEASED				SHEET OF	