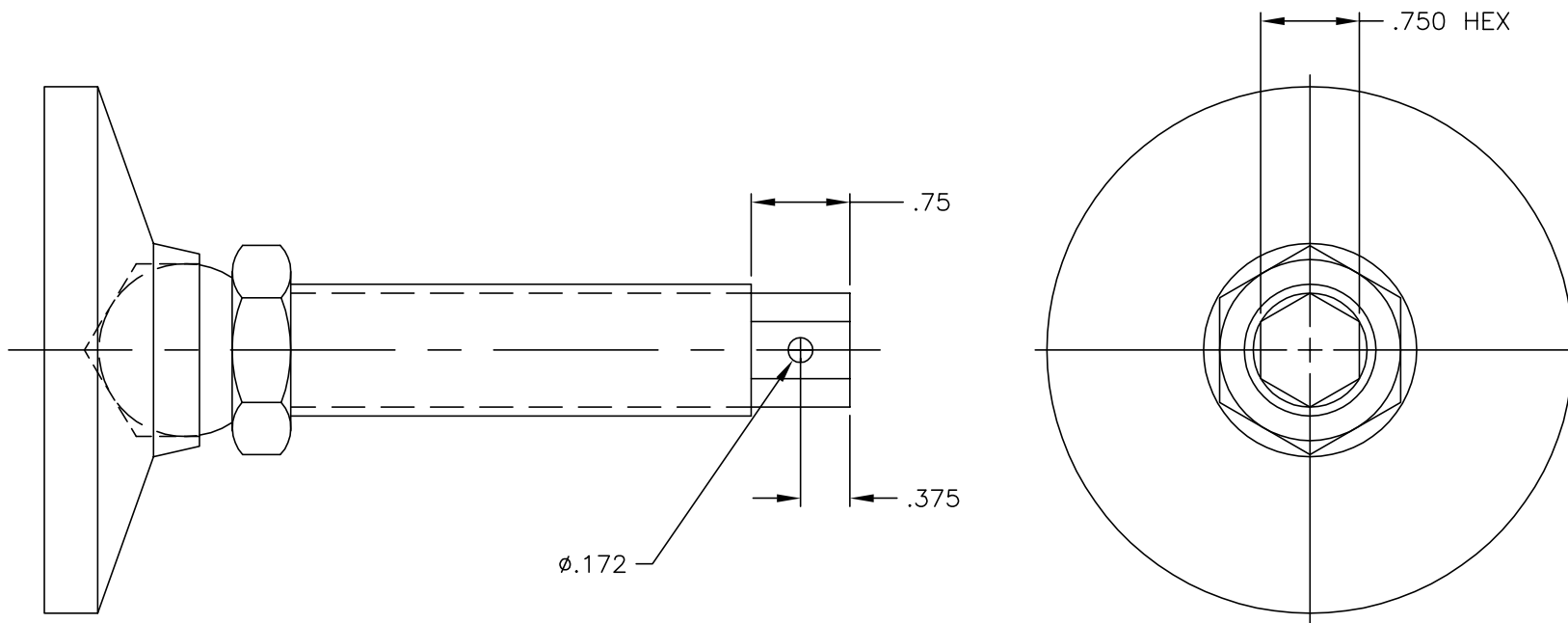


NOTES: UNLESS OTHERWISE SPECIFIED

1. REMOVE ALL BURRS AND SHARP EDGES $\pm .015$
2. MACHINED SURFACE ROUGHNESS 125 ✓
3. MAT'L: MAKE FROM LEVELING PAD-STUD TYPE, REID #TL-11
4. FINISH: GOLD CHROMATE

REVISIONS					
LTR	DESCRIPTION	ECR	DATE	BY	APRV



TOLERANCES UNLESS OTHERWISE NOTED
 DECIMALS FRACTIONS ANGULAR
 .XX ± .03 ± - ± 0°30'
 .XXX ± .010

NATIONAL OPTICAL ASTRONOMY OBSERVATORIES
 OPERATED BY THE
 ASSOCIATION OF UNIVERSITIES FOR RESEARCH IN ASTRONOMY
 UNDER COOPERATIVE AGREEMENT WITH
 NATIONAL SCIENCE FOUNDATION

NEXT ASSEMBLY 2150.260D305		NAME STUD-JACK			REF FILE 1171	
SCALE FULL		DESIGNED BY	DATE	APPROVED BY	DATE	DWG NO
DRAWING PRODUCED USING AUTOCAD v.14		DRAWN BY J.HOEY	DATE 4/4/00	APPROVED BY	DATE	2150.260B314
ISSUED		CHECKED BY	DATE	APPROVED BY	DATE	
RELEASED					SHEET OF	