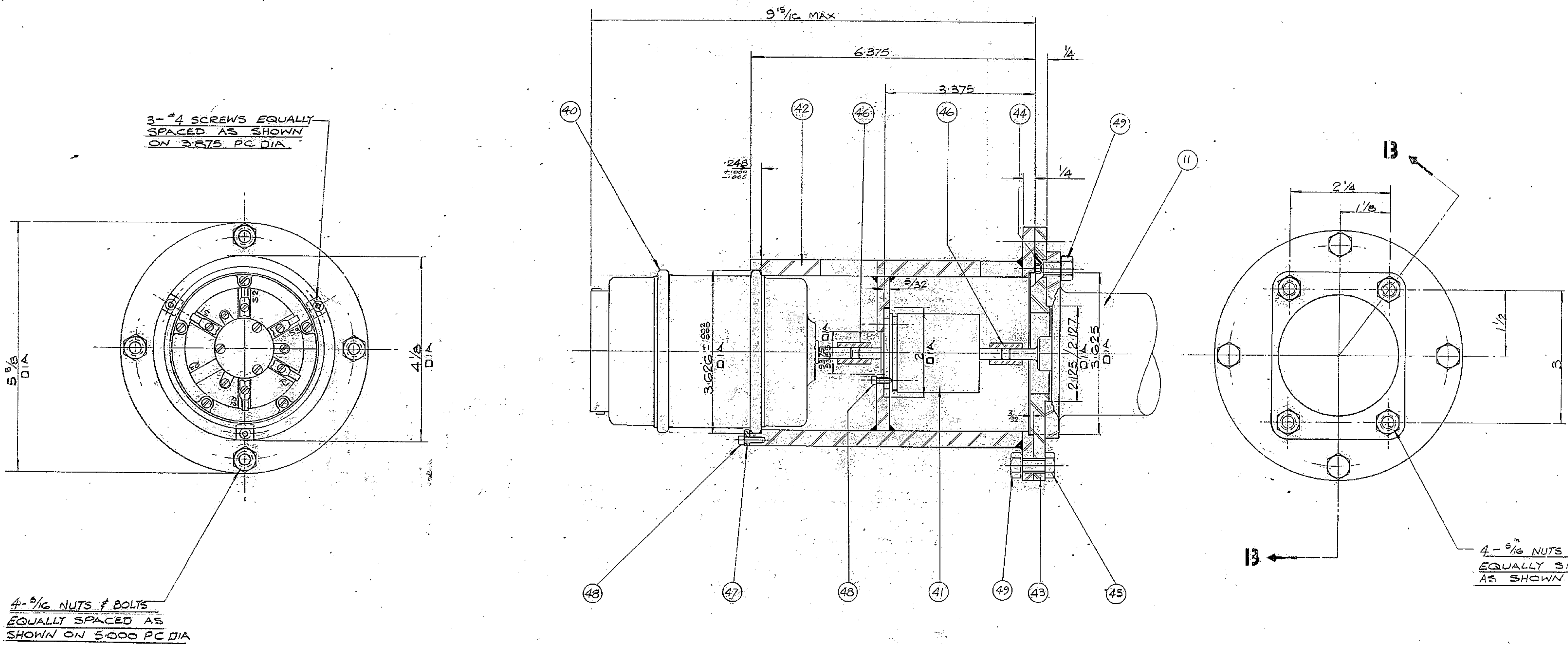


BILL OF MATERIAL				SIZE OF MATERIAL NOTED DOES NOT INCLUDE STOCK MACHINING AND CUTTING OFF EXCEPT AS NOTED. THE MATERIAL REQUIRED FOR ONE PIECE ONLY. QUANTITIES NOTED ARE THE TOTAL NUMBER REQUIRED.
ITEM	QTY.	MATERIAL	DESCRIPTION	
40	1	COMM'L	SELEYN MOTOR # 5	
41	1	COMM'L	SPEED REDUCER P/C	
			*UA-1A SIZE IS 1 3/4 DIA	
42	1	STL FABRICATION	MOUNTING ADAPTOR	
43	1	STL	ADAPTOR PLATE	
44	4	COMM'L CAD PT STL	SCR SOC HD 3/16-18 UNC	
			-28 NYLON	
45	4	COMM'L CAD PT STL	HEX BOLT 3/16 UNC-28 NYLON	
46	2	COMM'L PH. BRONZ	FLY COUPLING BCP 37 SECS	
47	3	STL	MOUNTING CLAMP	
48	7	COMM'L CAD PT STL	SOC HD CAP 5/16-40 UNC-3/16	
49	8	COMM'L CAD PT STL	NUT 3/16-18 UNC-28 NYLON	



SECTION 13 - 13

WARNING - THIS DRAWING IS NOT APPROVED AS REVISED

<p>FOR ASSEMBLY SEE</p>		<p>TOLERANCES UNLESS OTHERWISE NOTED</p>		<p>DECIMAL DIMENSIONS 0.0005 TO 0.010 0.0025 TO 0.050</p>		<p>FRACTIONAL DIMENSIONS UP TO 16 2/64 16 TO 64 1/32 64 &amp; OVER 1/16</p>		<p>BREAK SHARP EDGES</p>		<p>ALL SURFACES TO HAVE FINISH UNLESS OTHERWISE NOTED</p>		<p>DATE: _____ BY: _____</p>	
<p>QUANT. PRINT RECORD DATE</p>		<p>NO. REVISION DATE</p>		<p>DATE: _____ BY: _____</p>		<p>DATE: _____ BY: _____</p>		<p>DATE: _____ BY: _____</p>		<p>DATE: _____ BY: _____</p>		<p>DATE: _____ BY: _____</p>	
<p>1/8 SHEET 2 ITEMS 40 TO 45 ADDED 7/16/61</p>				<p>W. R. LYDSEY ENGINEERS SAN JOSE, CALIF.</p>				<p>KITT PEAK NATIONAL OBSERVATORY OPERATED BY THE ASSOCIATION OF UNIVERSITIES FOR RESEARCH IN ASTRONOMY, INC. UNDER CONTRACT WITH NATIONAL SCIENCE FOUNDATION</p>					
<p>150" STELLAR TELESCOPE</p>				<p>POLAR AXIS VERTICAL ADJUSTABLE C/W EIGHT</p>				<p>SCALE 1/8" = 1"</p>					
<p>2150-289-E</p>				<p>DATE: _____ BY: _____</p>				<p>DATE: _____ BY: _____</p>					