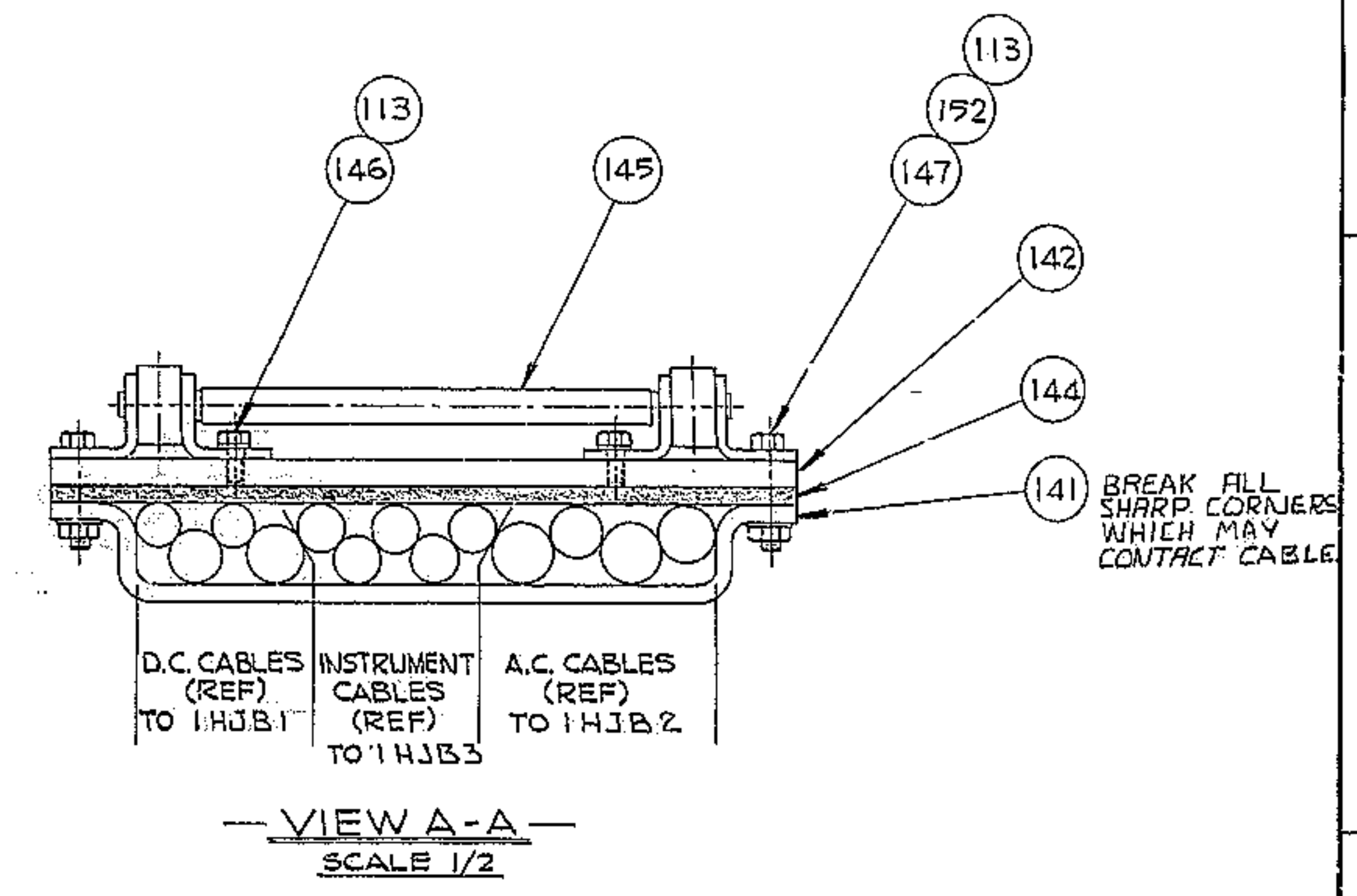
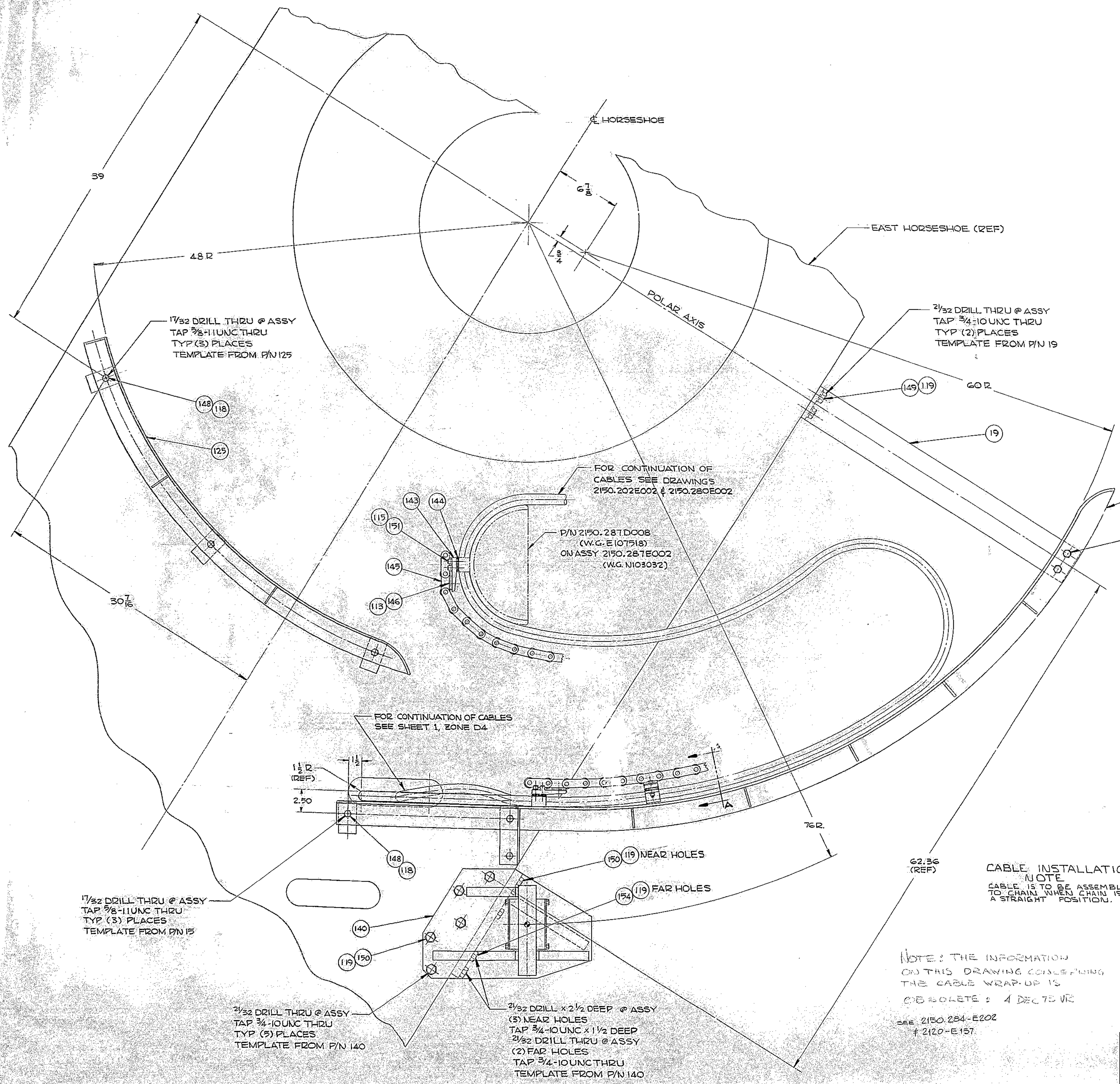


CONTAINS INFORMATION PROPRIETARY TO WESTERN GEAR CORPORATION. REPRODUCTION OR SALE RIGHTS REGARDING THE SAME ARE HEREBY RESERVED BY WESTERN GEAR CORPORATION. THIS DOCUMENT IS FOR REFERENCE PURPOSES ONLY AND SHALL BE LOANED TO ANY UNAUTHORIZED PERSON OR INCORPORATED IN ANY OTHER REPORT.

REVISIONS				
ZONE	LTR	DESCRIPTION	DATE	BY
D		THIS SHT (50FS) ADDED	1-17-71	JW
E	C2	ADDED "CABLE CONTINUATION" NOTES & DESIGNATIONS	2/11/71	JW



TRD NO.	PART NO.	DESCRIPTION	QTY	MATERIAL	CODE IDENT
LIST OF MATERIAL (LM)					
LIMITS ON MACHINED DIMENSIONS EXCEPT AS NOTED		150 INCH STELLAR TELESCOPE MOUNTING			
ANGULAR $\pm 1'0''$		DRAWN W/P/1/4"			
LINEAR: X $\pm .01$ XXX $\pm .010$		CHECK			
XXX $\pm .01$ FRACTIONAL $\pm 1/12$		ENGR			
BREAK ALL SHARP EDGES					
MATERIAL					
WG N102901		HEAVY MACHINERY DIVISION EVERETT, WASHINGTON			
APPROVED		HORSESHOE ASSY			
SIZE		CODE IDENT NO.		REV	
E 16603		2150.250E002		C	
SCALE 1/4 & 1/2		WT		LB SHEET 5 OF 7	