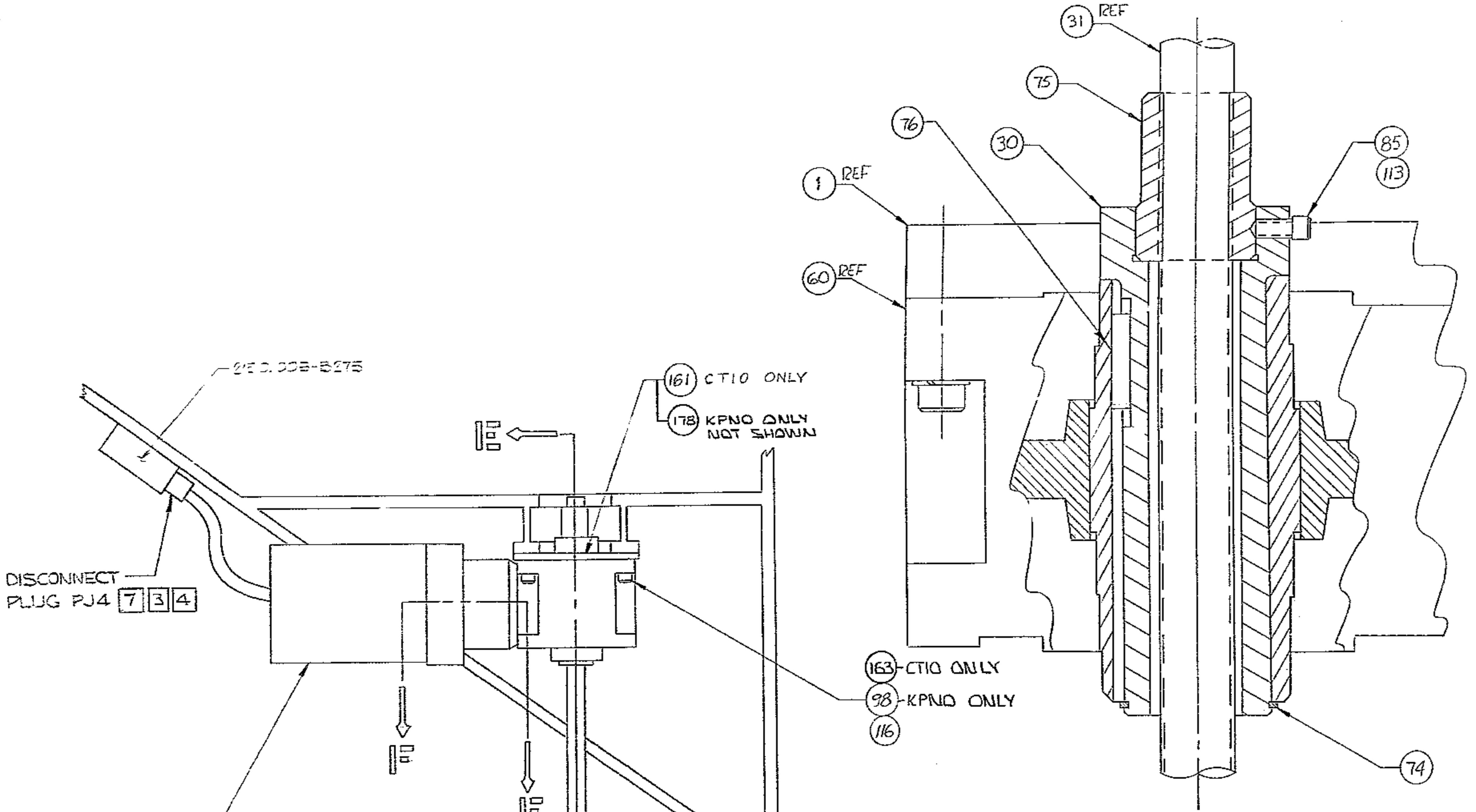
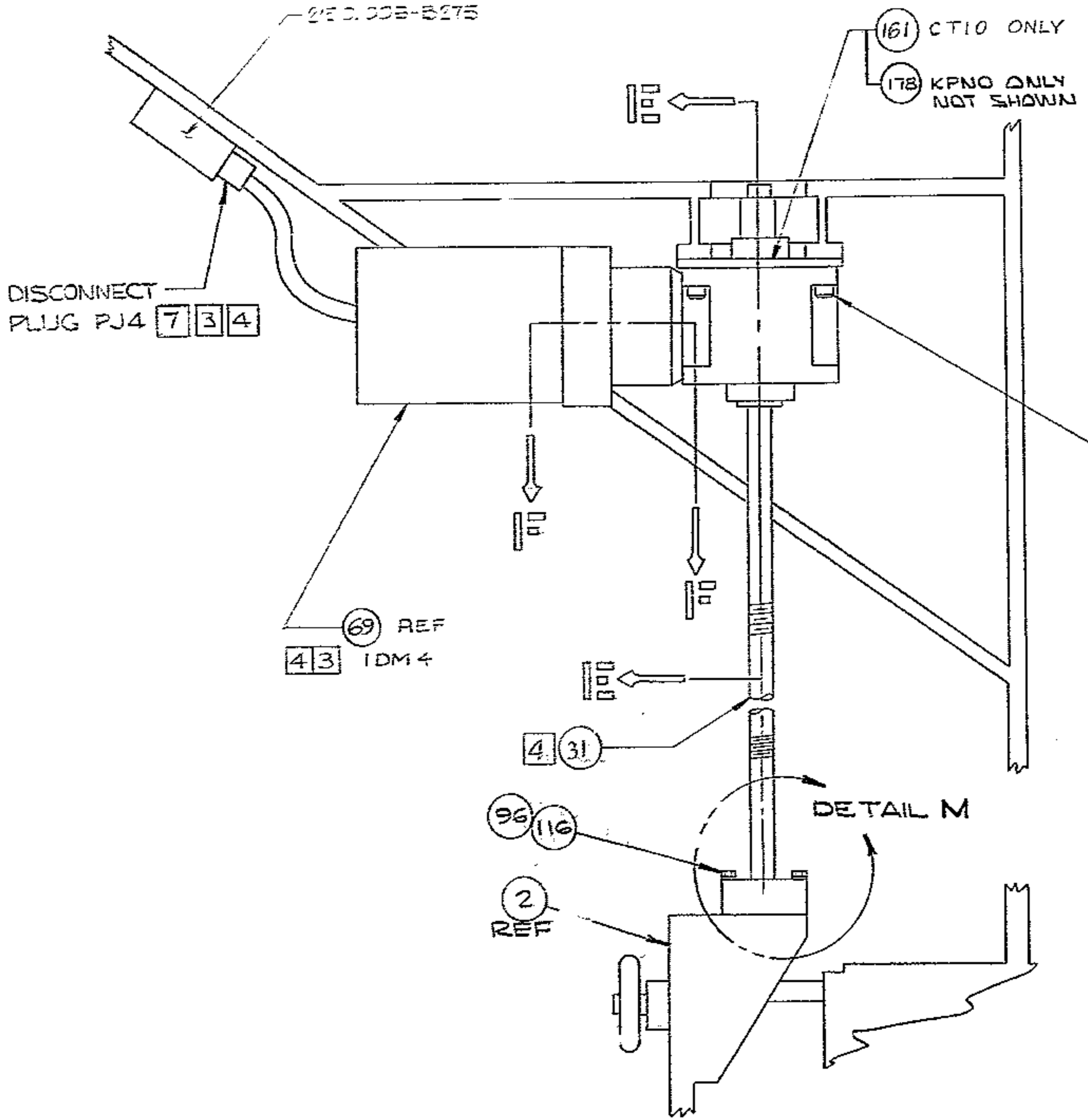


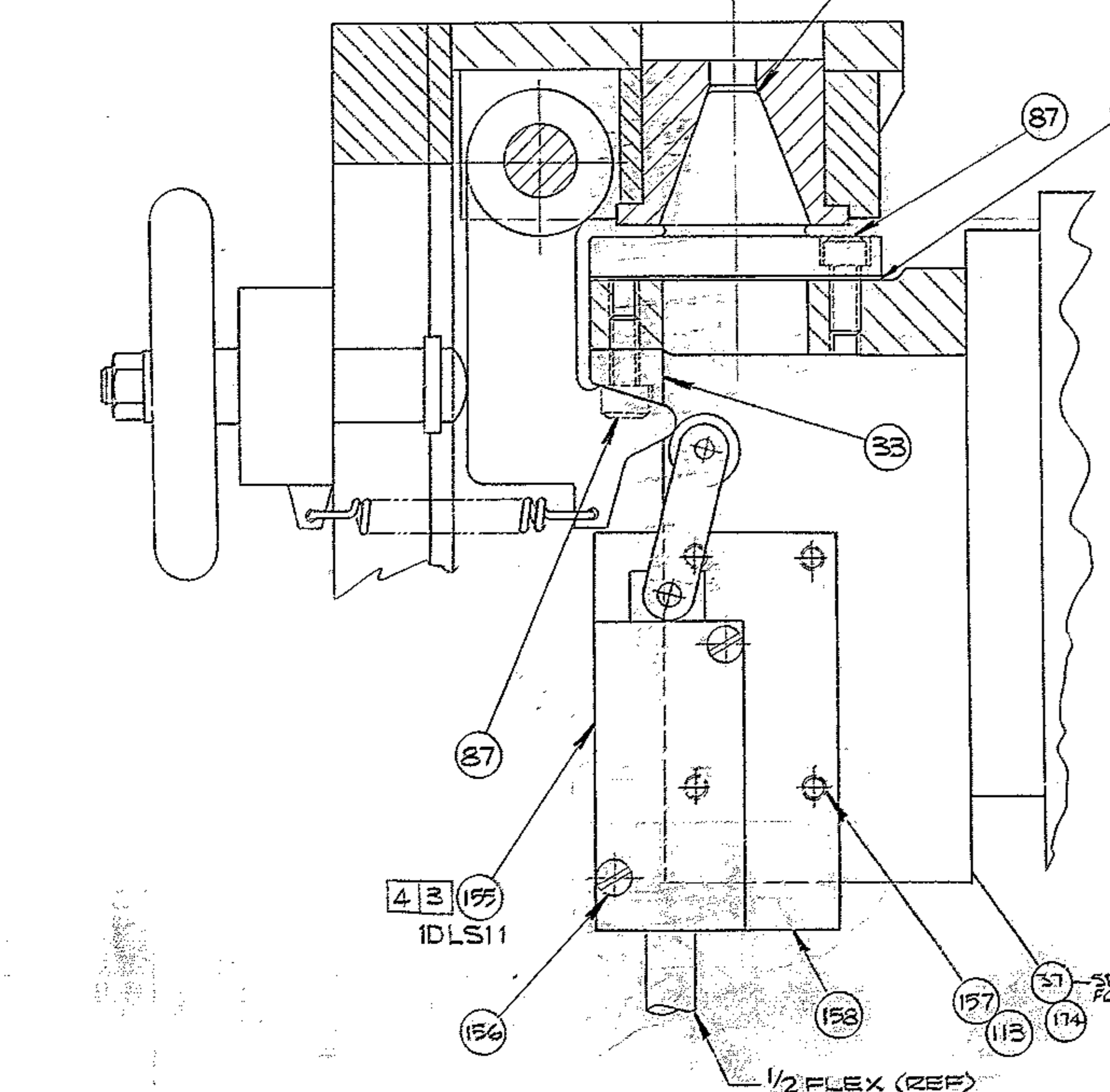
REVISIONS				
ZONE	LTR	DESCRIPTION	DATE	APPROVED
A		REVISED PER AURA COMMENTS	5/12/68	JW
B		REL SECT L-L	6/1/68	JW
C		SEE SHIT 3		
D		ADDED P/N 136	10/22/70	
E		REVISED SECT. L-L, REMVD 10JB3, RELOC. 10JB1 & 2	4-22-71	
F		SECT. S-S REV'D: ADDED P/N 155, 156, 157, 158 & 113, ADDED ELECT. CONDUIT, P/N 107 & SECT. X-X.	6/25/71	JW
G		ADDED SECT. Y-Y REVISED SECT. S-S	6-28-71	LDS
H		REVISED PER AURA COMMENTS	7-19-71	JW
J		ADDED P/N 161	10-6-71	
U		SECT. S-S ADD P/N 31477A SECT. D-D ADD P/N 178 SECT. F-F ADD P/N 114 & 171 DET. S-5 ADD P/N 174 DELETE MANUT. CTR. P/N 107 & 90 RELOCATED WIREWAY FROM 10JB3	3/24/72	LDS



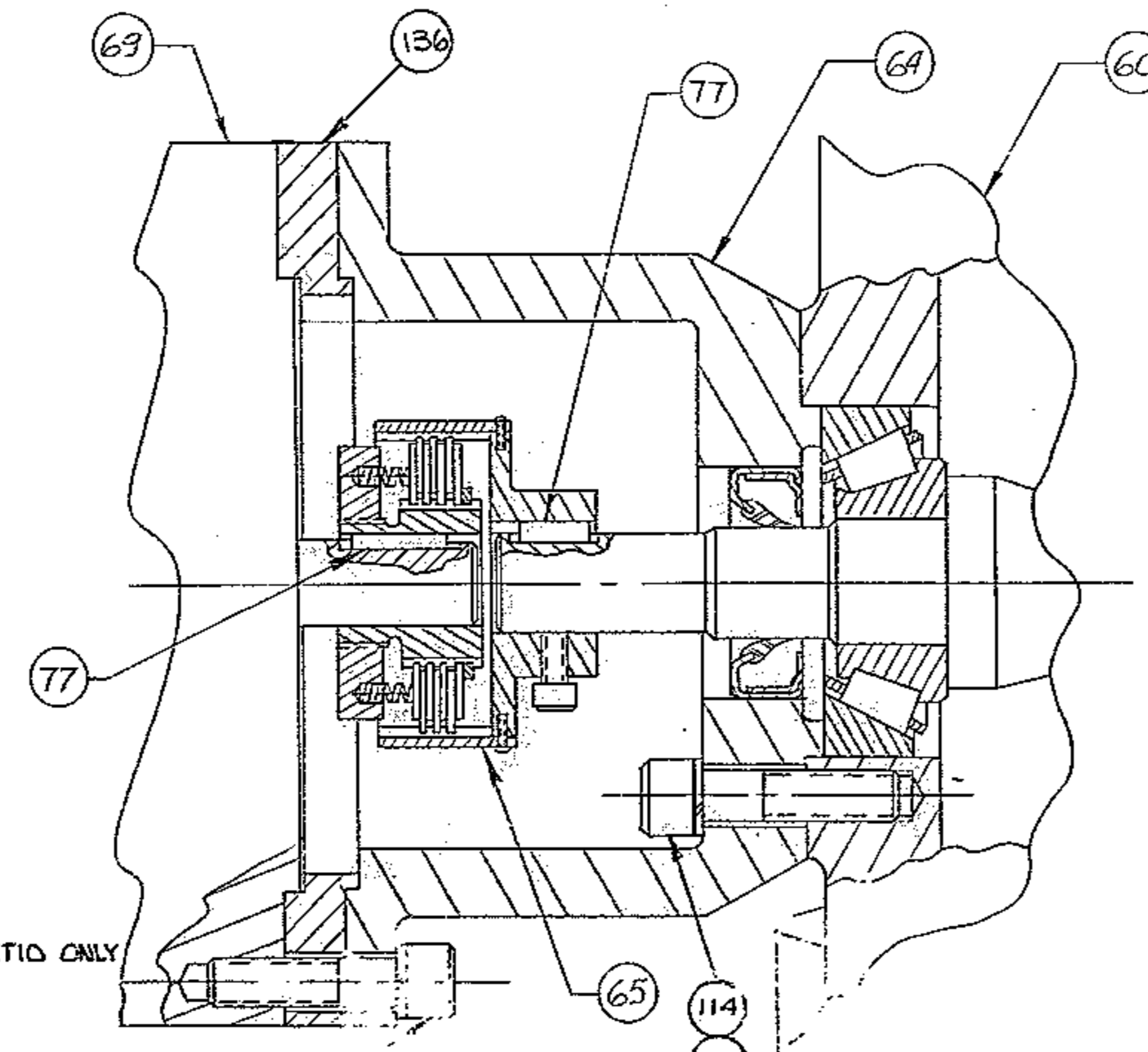
SECTION D-D SCALE: 1/4



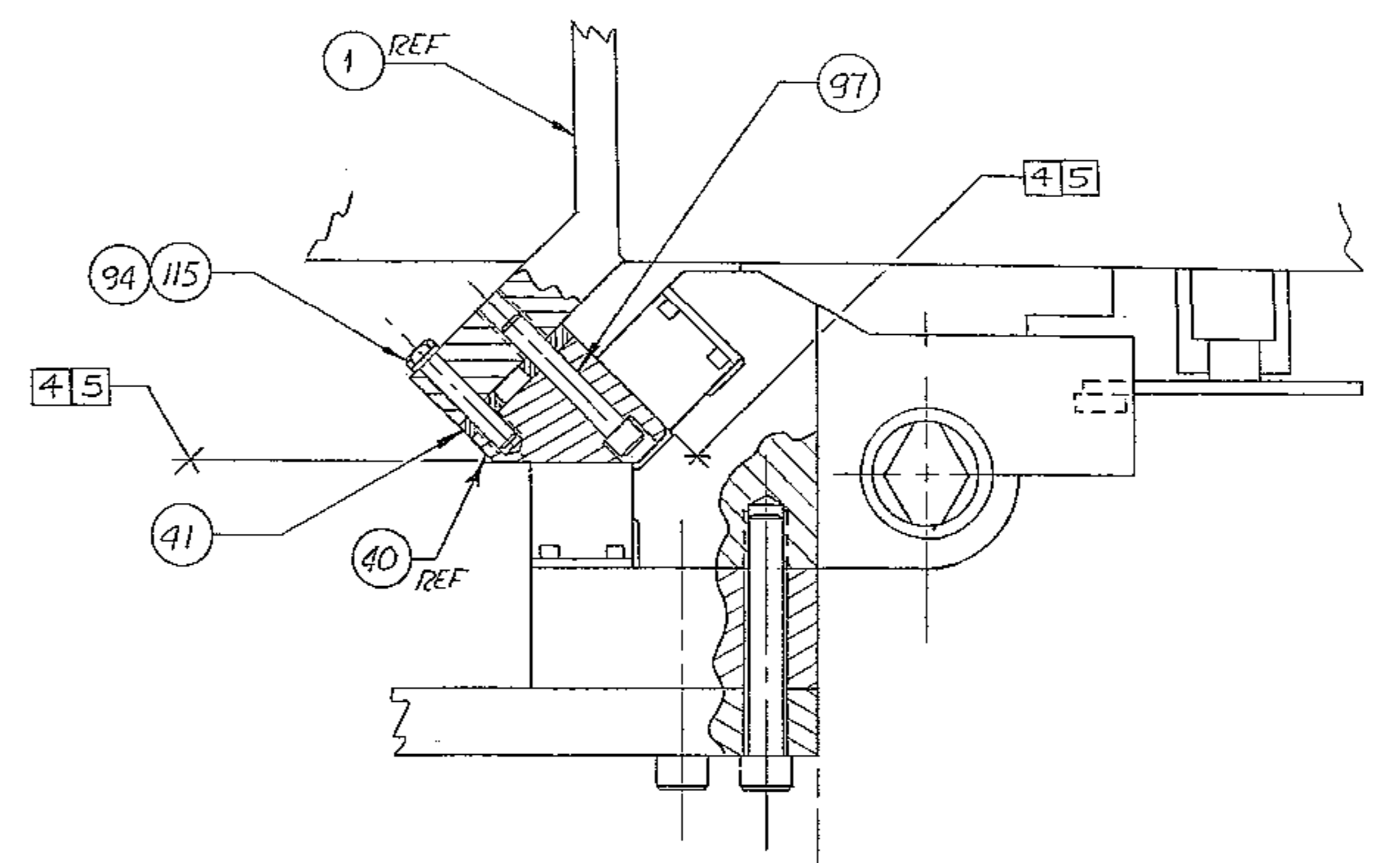
SECTION S-S SCALE: 1/1



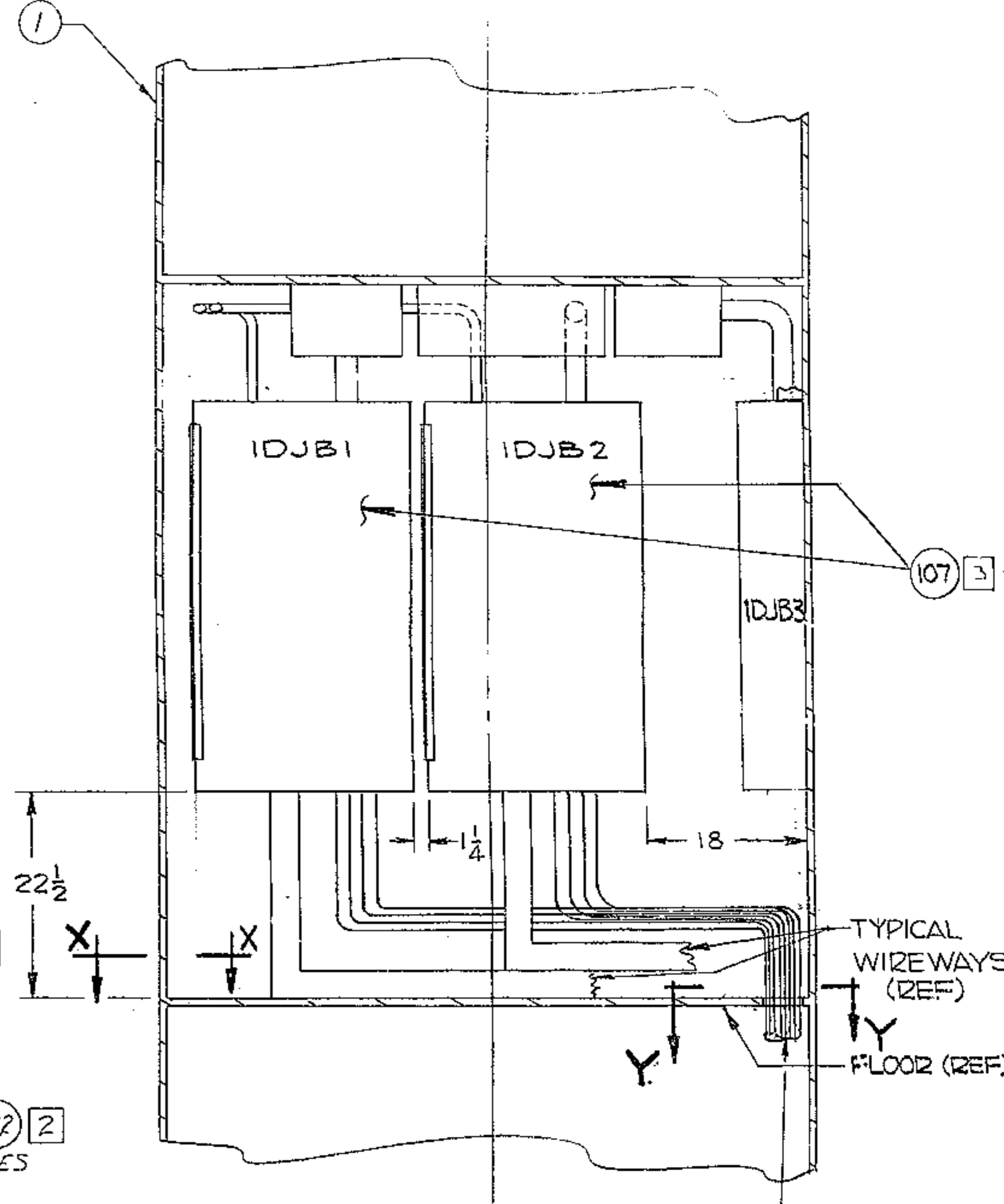
SECTION Y-Y SCALE: NONE



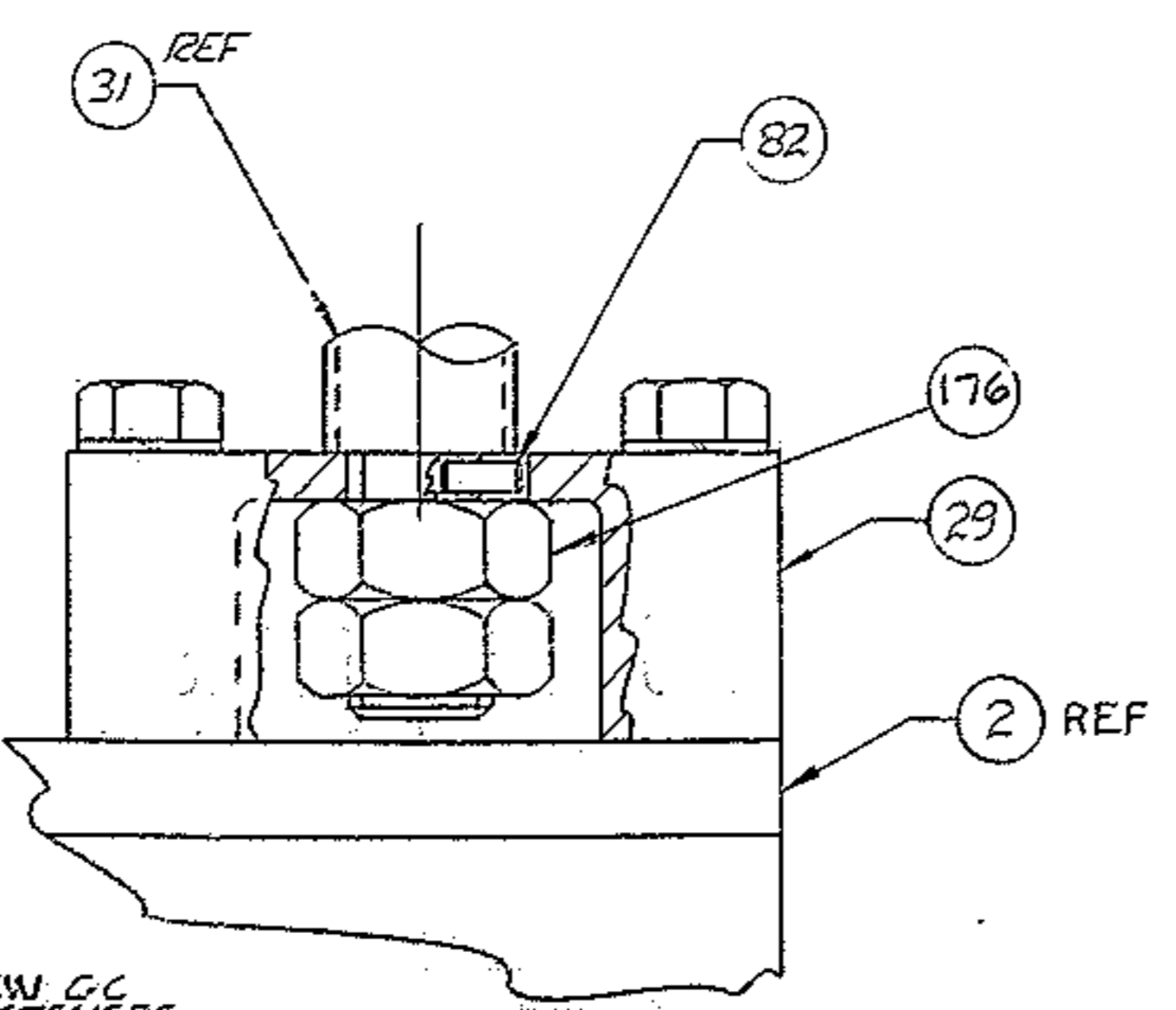
SECTION F-F SCALE: 1/1



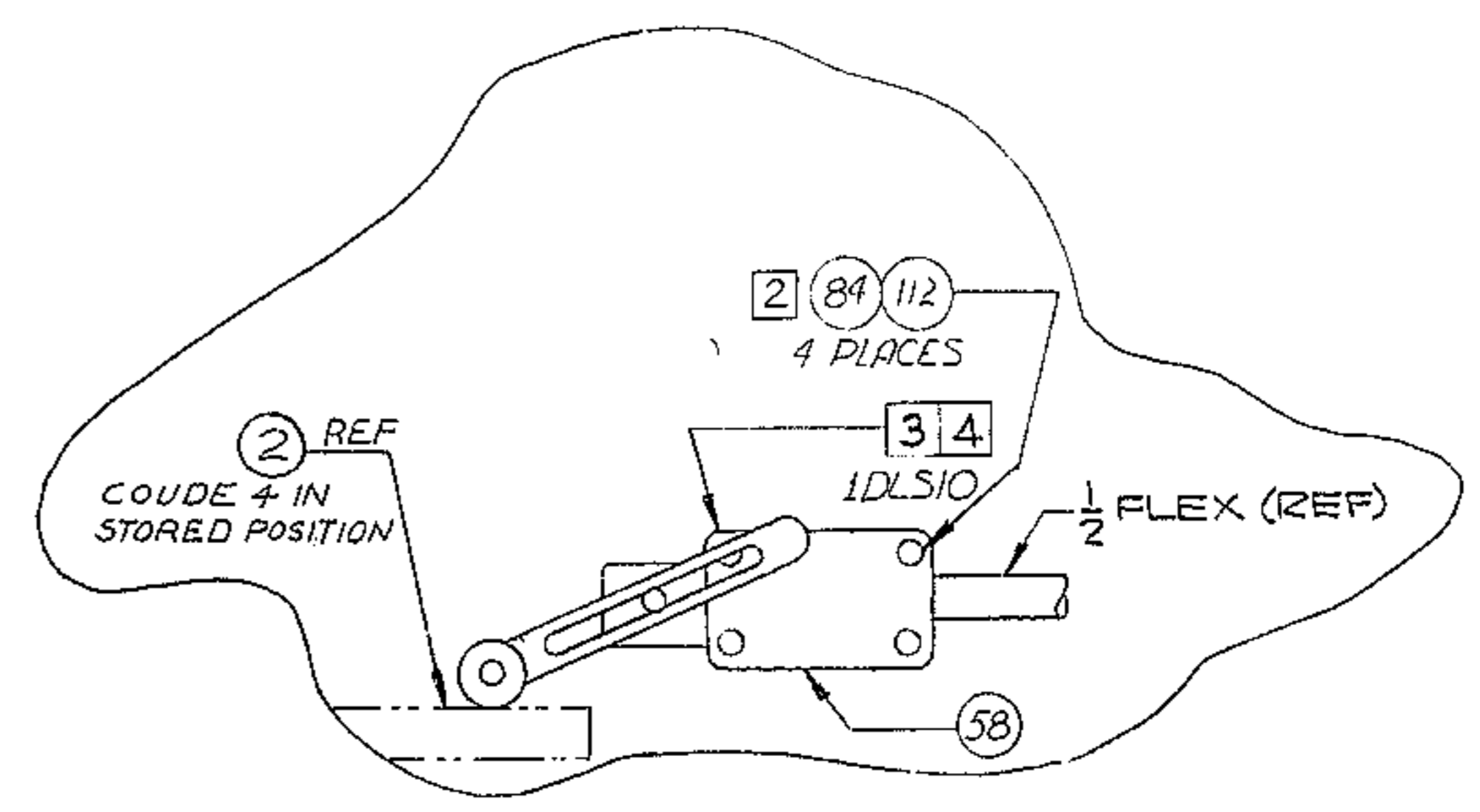
DETAIL 13 SCALE: 1/2



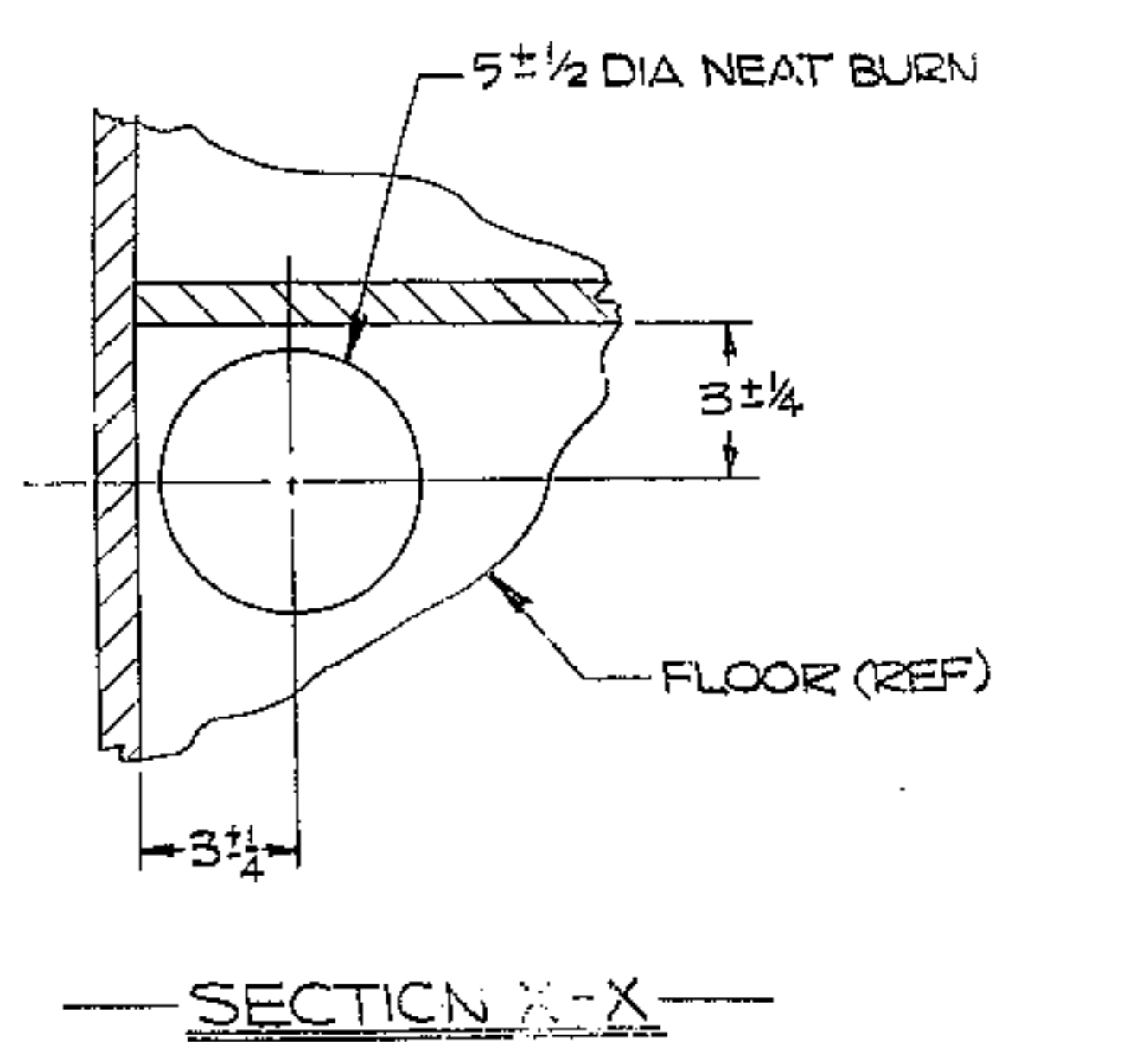
SECTION L-L SCALE: NONE



SECTION G-G SCALE: 1/1



DETAIL 13 (SHT 1) SCALE: 1/2



SECTION X-X

SEE B/M: 2150.250A002 (W.G.C112909)  
NEXT ASSY: 2150.201E002 (W.G.N102907)

WESTERN GEAR CORPORATION  
CONSTRUCTION PROJECTS  
DEPARTMENT  
APPROVED FOR  
PROCUREMENT  
J.G. DATE 5/12/68

FIND NO.	PART NO.	DESCRIPTION	QTY	MATERIAL	CODE IDENT
LIST OF MATERIAL (L.M.)					
LIMITS ON MACHINED DIMENSIONS EXCEPT AS NOTED					
ANGULAR = ± 1°					
LINEAR: X = ± .010 XXX = ± .010					
.XX = ± .03 FRACTIONAL = ± 1/32					
BREAK ALL SHARP EDGES					
MATERIAL					
150" STELLAR TELESCOPE MOUNTING					
DRAWN: JAMISEZ					
CHECK: J. W. G. 5/12/68					
ENGR					
W.G.N102901					
APPROVED					
SIZE: CODE IDENT NO. E 16603					
2150.250E002					
SCALE: NOTE D WT					
REV					
L B SHEET 2 OF 7					