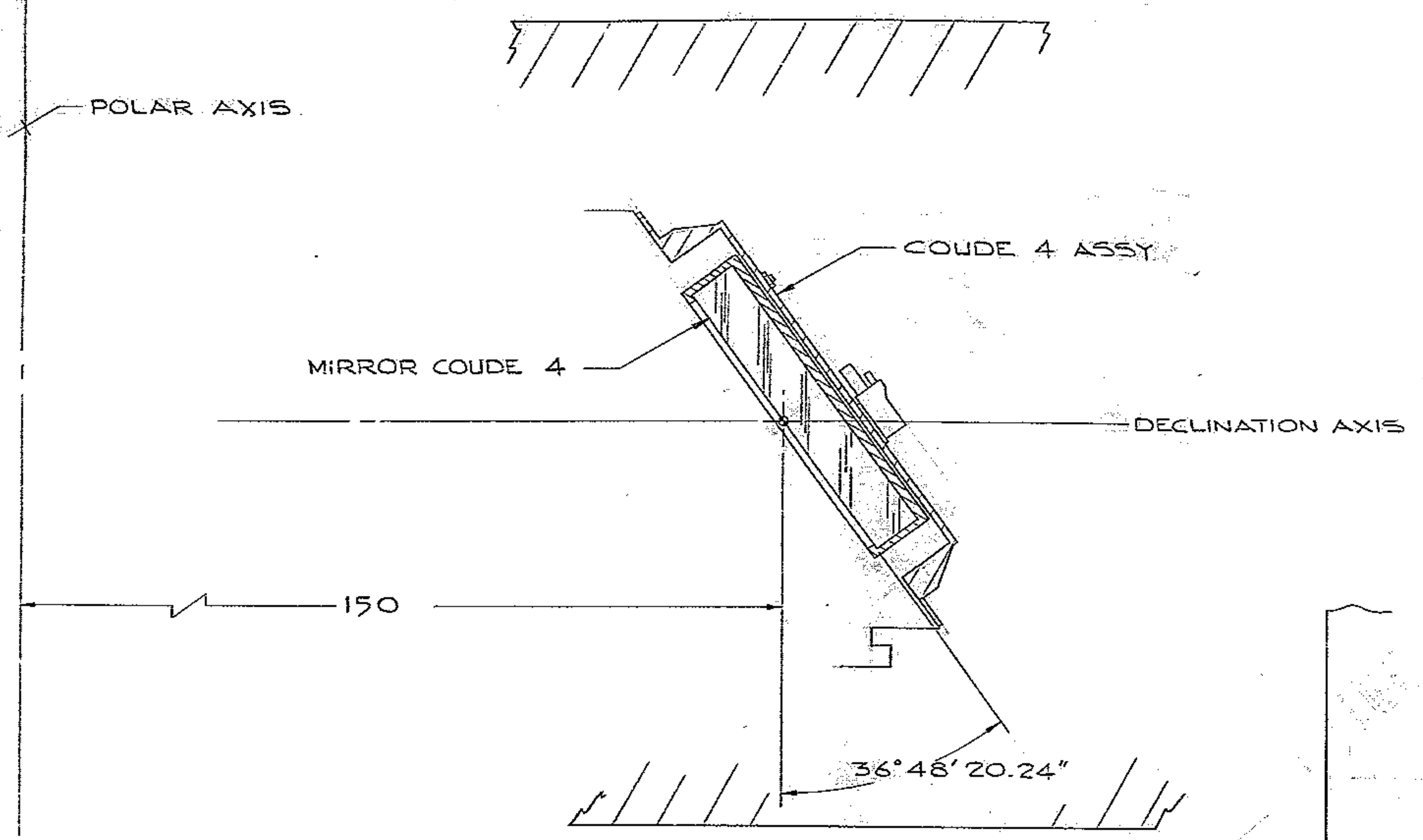
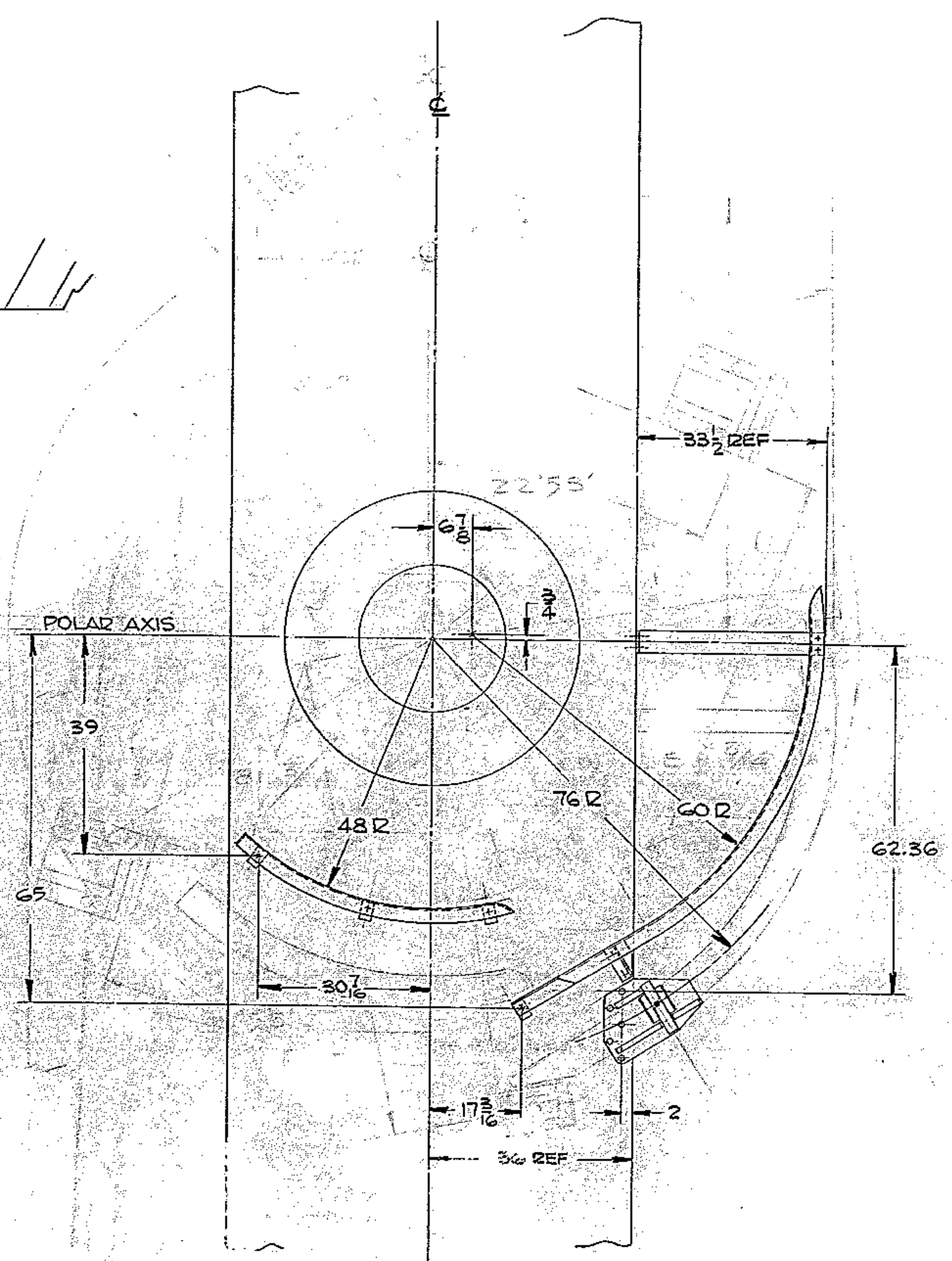


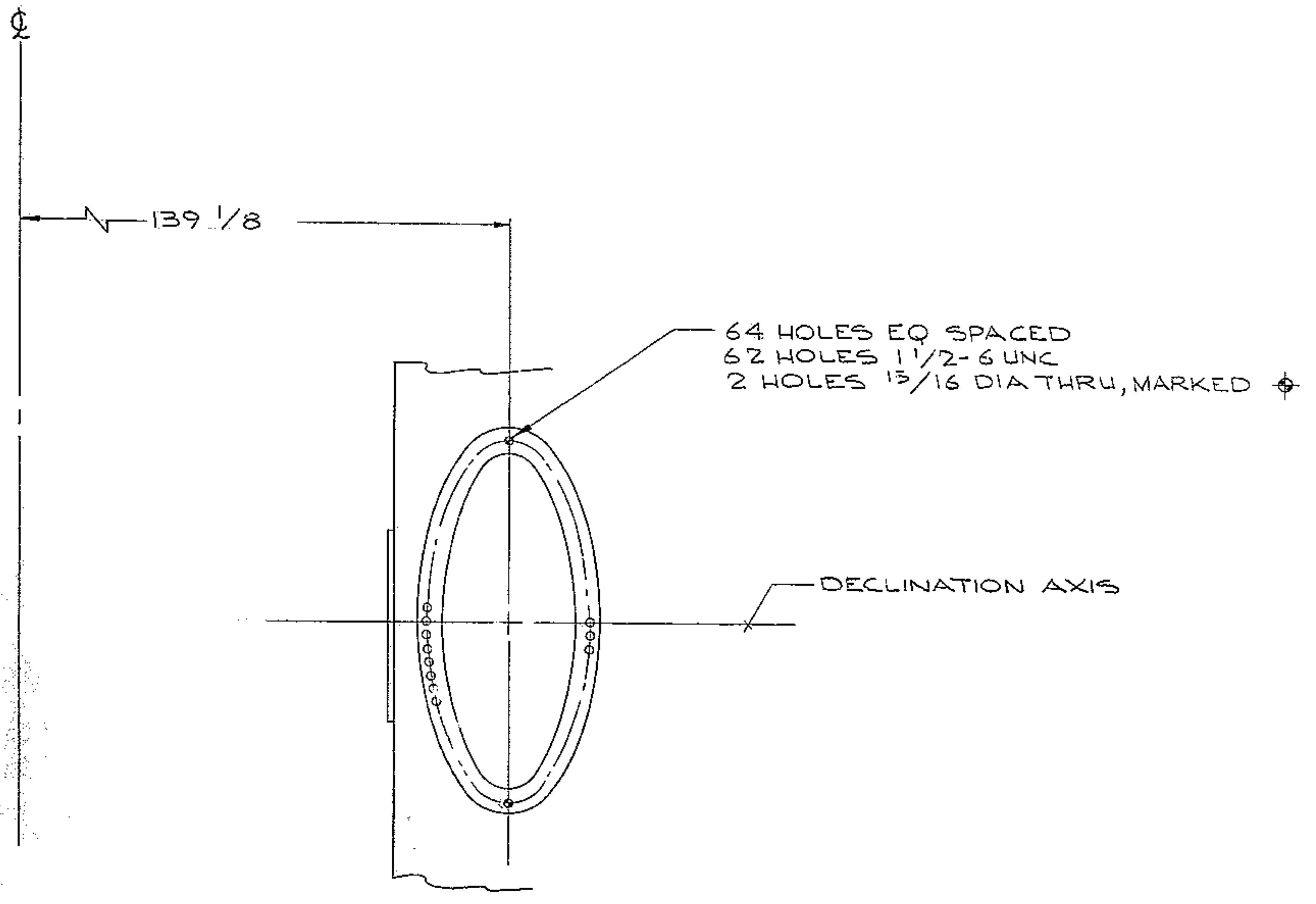
REVISIONS				
ZONE	LTR	DESCRIPTION	DATE	APPROVED
A		REVISED & REL. FOR MANF. PER A.U.R.A.	5/2/68	P.G.
B		VIEW A-A REV'D PER AURA APPVL PRINT 10-16-70		



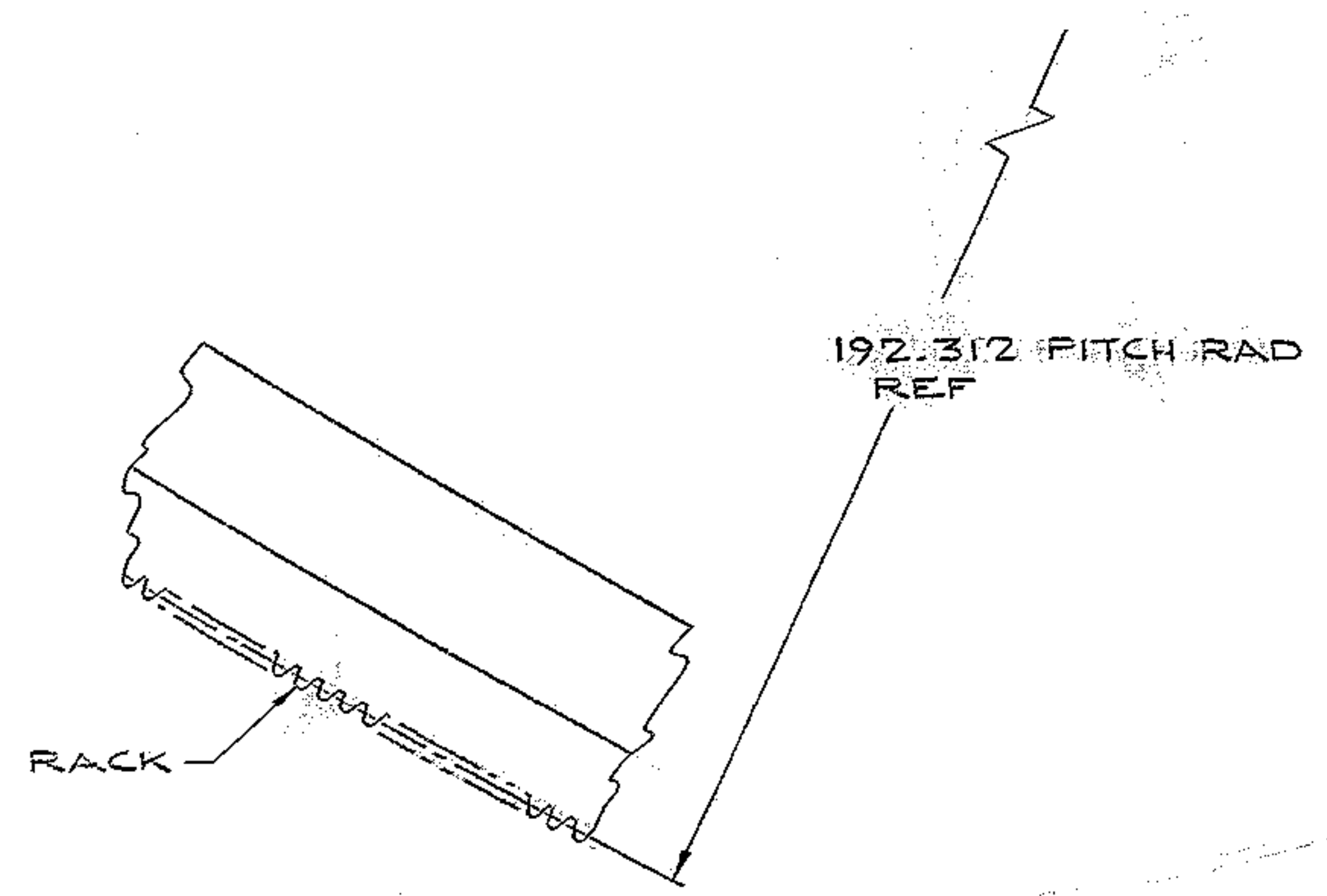
SECTION B - B
SCALE: 1/8



VIEW A - A
SCALE: 1/16



DETAIL D
TYP 2 PLACES
SCALE: 1/4



DETAIL C
SCALE: 1/4

WESTERN GEAR CORPORATION
CONSTRUCTION PROJECTS
DEPARTMENT
APPROVED FOR
PROCUREMENT
P.G. DATE 5/12/68

FIND NO.	PART NO.	DESCRIPTION	QTY	MATERIAL	CODE IDENT
LIST OF MATERIAL (L.M.)					
LIMITS ON MACHINED DIMENSIONS EXCEPT AS NOTED					
ANGULAR = ± 1° 0'					
LINEAR:					
X = ± .1 XXX = ± .010					
XX = ± .03 FRACTIONAL = ± 1/32					
CHECK FLOWING 8-15-68					
BREAK ALL SHARP EDGES					
MATERIAL					
150" STELLAR TELESCOPE MOUNTING					
DRAWN BY: W.G.C. 6-68					
CHECK BY: J.W. 8-15-68					
ENGR					
W.G.N 103017					
APPROVED					
WESTERN GEAR CORPORATION HEAVY MACHINERY DIVISION EVERETT, WASHINGTON					
OUTLINE HORSESHOE ASSY					
SIZE CODE IDENT NO. REV					
E 16603 2150-250E001 C					
SCALE NOTED DWG LB SHEET 2 OF 2					

REV. FILE 1168