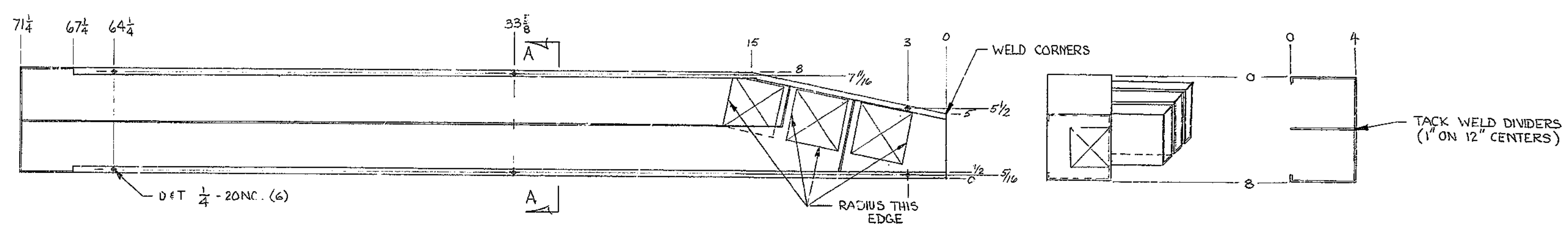
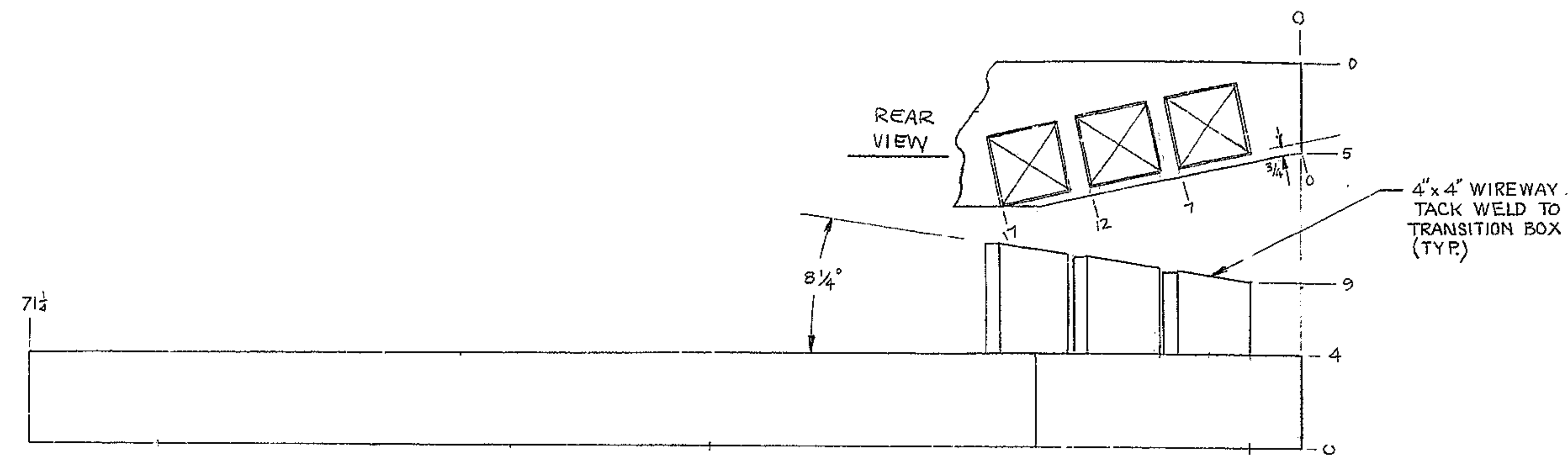


THIS DOCUMENT CONTAINS INFORMATION PROPRIETARY TO WESTERN GEAR CORPORATION. ALL DESIGN, MANUFACTURING, REPRODUCTION, USE, PATENT AND SALES RIGHTS REGARDING THE SAME ARE HEREBY EXPRESSLY RESERVED BY WESTERN GEAR CORPORATION. THIS DOCUMENT IS SUBMITTED FOR REFERENCE PURPOSES ONLY AND SHALL NOT BE DISCLOSED TO ANY UNAUTHORIZED PERSON OR INCORPORATED INTO ANY OTHER PROJECT.

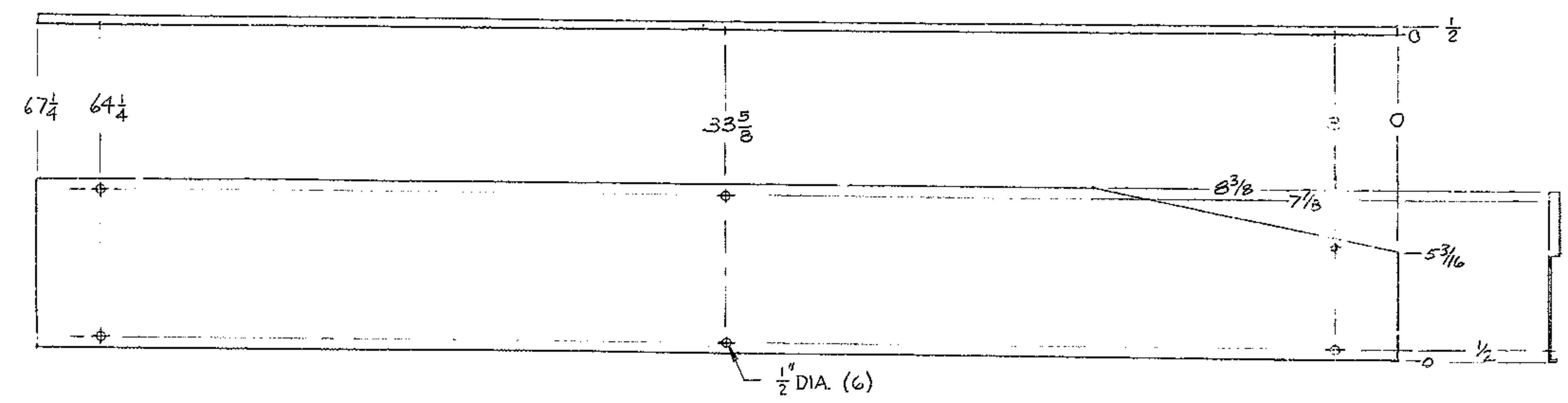
REVISIONS				
ZONE	LTR	DESCRIPTION	DATE	APPROVED
	A	REVISED TRANSITION BOX ENTRANCE	6-30-71	
	B	REVISED WIREWAY ENTRANCE TO TRANS. BOX	7-19-71	



TRANSITION BOX  
PART #2

SECTION AA

NOTE:  
1 FINISH: ALL PARTS TO BE THOROUGHLY CLEANED & DEGREASED, THEN PRIME WITH RED OXIDE PRIMER



BOX COVER  
PART #1

NEXT ASSY. 2150.250-E002 (P/N 4B)

FIND NO.	PART NO.	DESCRIPTION	QTY	MATERIAL	CODE IDENT
	2	TRANSITION BOX	1	14 GA. STEEL	
	1	TRANSITION BCX COVER	1	14 GA. STEEL	

LIMITS ON MACHINED DIMENSIONS EXCEPT AS NOTED ANGULAR = ± 1° LINEAR: X = ± .1    XXX = ± .010 .XX = ± .03    FRACTIONAL = ± 1/32		DRAWN CHECK ENGR		WESTERN GEAR CORPORATION HEAVY MACHINERY DIVISION EVERETT, WASHINGTON	
MATERIAL		TRANSITION BOX EAST HORSESHOE		SIZE D 303143	
APPROVED		CODE IDENT NO. D 16603		REV B	
SCALE 3/4" = 1" WT		2150.250-D 081		LB SHEET 1 OF 1	