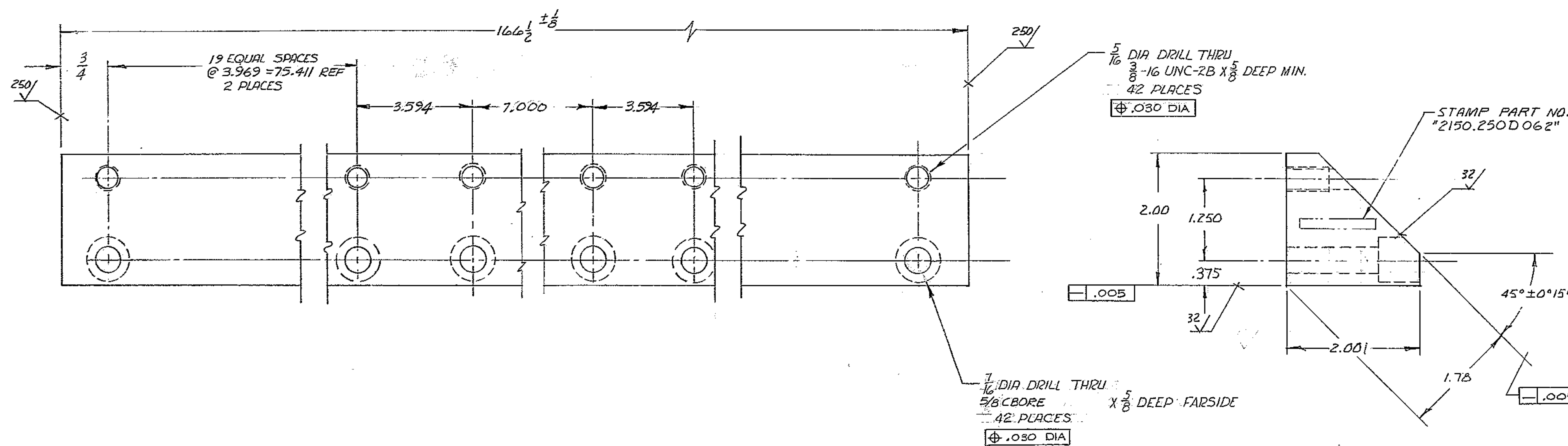


REVISIONS				
ZONE	LTR	DESCRIPTION	DATE	APPROVED
	A	REL. FOR MANUFACTURE PER AURA WITH MINOR DWG REVISIONS	2/17/69	G.R.



NOTES:  
1. ALL DIMENSIONS IN INCHES.  
2. FINISH 125/ ALL OVER EXCEPT AS NOTED.

NEXT ASSY: 2150.250 E 002 (W.G.N 102 901)

PER  
FILE 1168

FIND NO.	PART NO.	DESCRIPTION	QTY	MATERIAL	CODE IDENT
LIST OF MATERIAL (LM)					
LIMITS ON MACHINED DIMENSIONS EXCEPT AS NOTED ANGULAR = ± 1° 0'		150 IN. STELLAR TELESCOPE MOUNTING		<b>Western</b> GEAR CORPORATION HEAVY MACHINERY DIVISION EVERETT, WASHINGTON	
LINEAR: X' = ± .1    .XXX = ± .010 .XX = ± .03    FRACTIONAL = ± 1/32		DRAWN T.E. HARPER 2-12-68 CHECK Gene Russo 2/18/68		RAIL, COUDE 4 HORSE SHOE ASSEMBLY	
MATERIAL STL SAE 4140 H.R. & H.T. BAR 2 1/4 SQ. X 167 LG		ENGR		W.G. E107712	
BREAK ALL SHARP EDGES		APPROVED		SIZE CODE IDENT NO. <b>D 16603</b> 2150.250-D062	
		G.R. DATE 2/17/69		REV A	
SCALE 1/1		WT		LB SHEET / OF /	

WESTERN GEAR CORPORATION  
CONSTRUCTION PROJECTS  
DEPARTMENT  
APPROVED FOR  
PROCUREMENT  
G.R. DATE 2/17/69