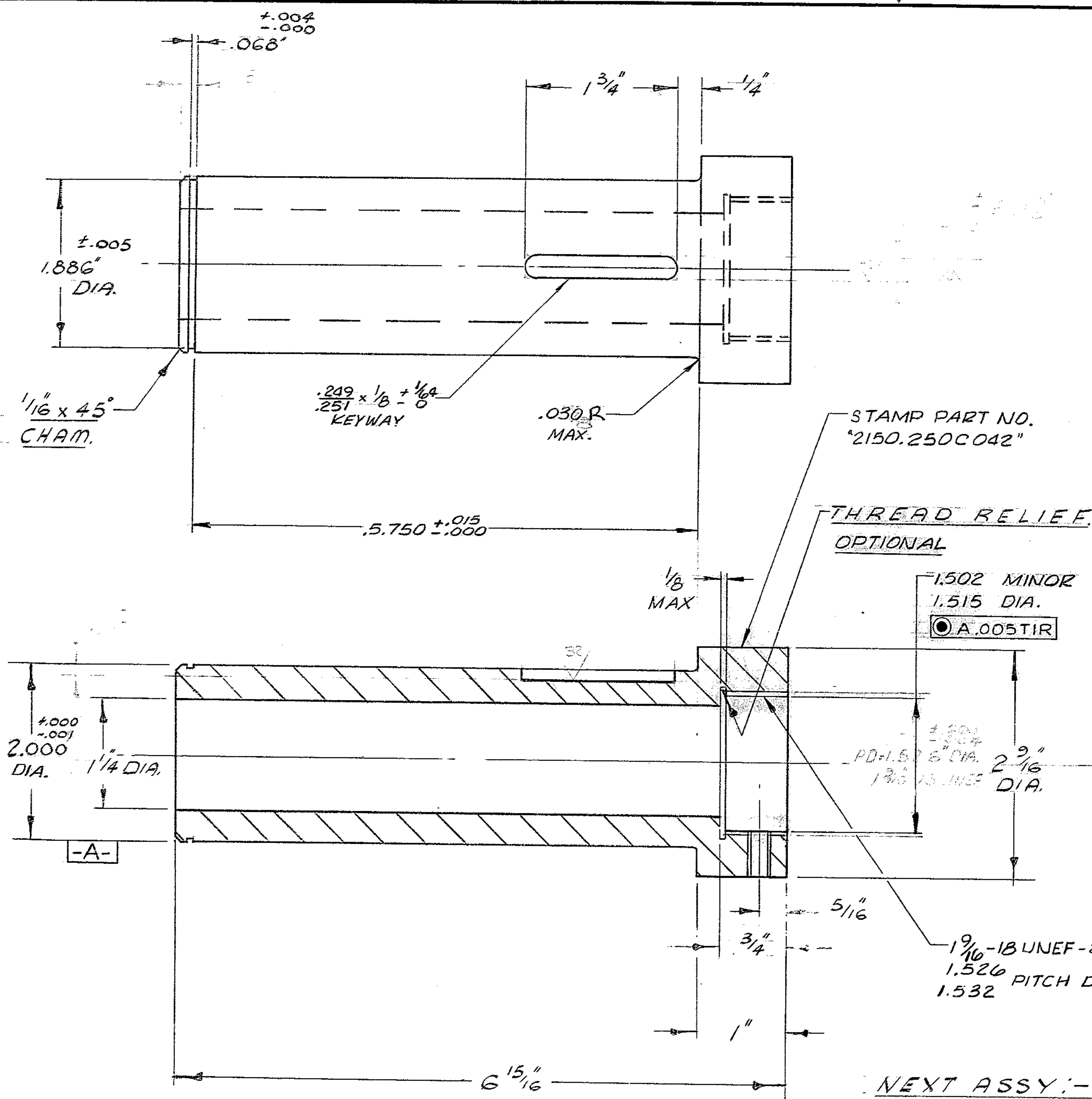


REVISIONS				
ZONE	LTR	DESCRIPTION	DATE	APPROVED
A		RELEASED FOR MANUFACTURE PER AURA	2/17/69	G.R.



NOTE:
 1. FINISH $\sqrt{125}$ ALL OVER EXCEPT AS NOTED
 2. ALL DIMENSIONS IN INCHES.

NEXT ASSY:- 2150.250 E 002 (W.G.N. 102 901)

FIND NO.	PART NO.	DESCRIPTION	QTY	MATERIAL	CODE IDENT
LIST OF MATERIAL (LM)					
LIMITS ON MACHINED DIMENSIONS EXCEPT AS NOTED		150" STELLAR TELESCOPE MOUNTING		WESTERN GEAR CORPORATION HEAVY MACHINERY DIVISION EVERETT, WASHINGTON	
ANGULAR = $\pm 1^{\circ} 0'$		DRAWN A. GREEN		ADAPTER, HORSESHOE ASSY.	
LINEAR:		CHECK FAY 7-17-68		ENGR	
.X = $\pm .1$.XXX = $\pm .010$		W.G.D 107 393		SIZE CODE IDENT NO. REV	
.XX = $\pm .03$ FRACTIONAL = $\pm 1/32$		APPROVED		C 16603 2150.250 C042 A	
BREAK ALL SHARP EDGES		SCALE 1/1		WT 4 1/2 LB SHEET 1 OF 1	
MATERIAL		STL. A-1, S.T.A.C.-1020 BAR $2 \frac{3}{4}$ DIA x $7 \frac{1}{4}$ OR EQ.			

WESTERN GEAR CORPORATION
 CONSTRUCTION PROJECTS
 DEPARTMENT
 APPROVED FOR
 PROCUREMENT
 G.R. DATE 2/17/69

REF. FILE 1168