

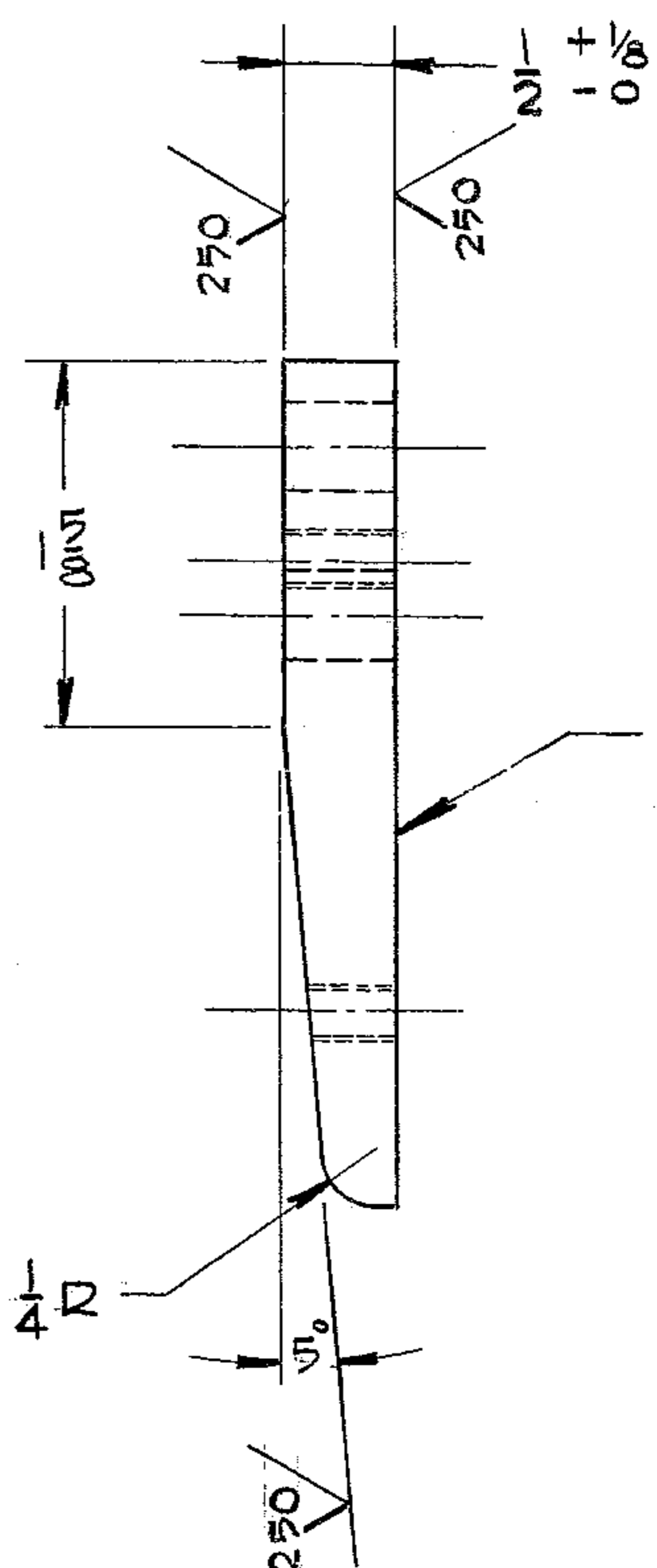
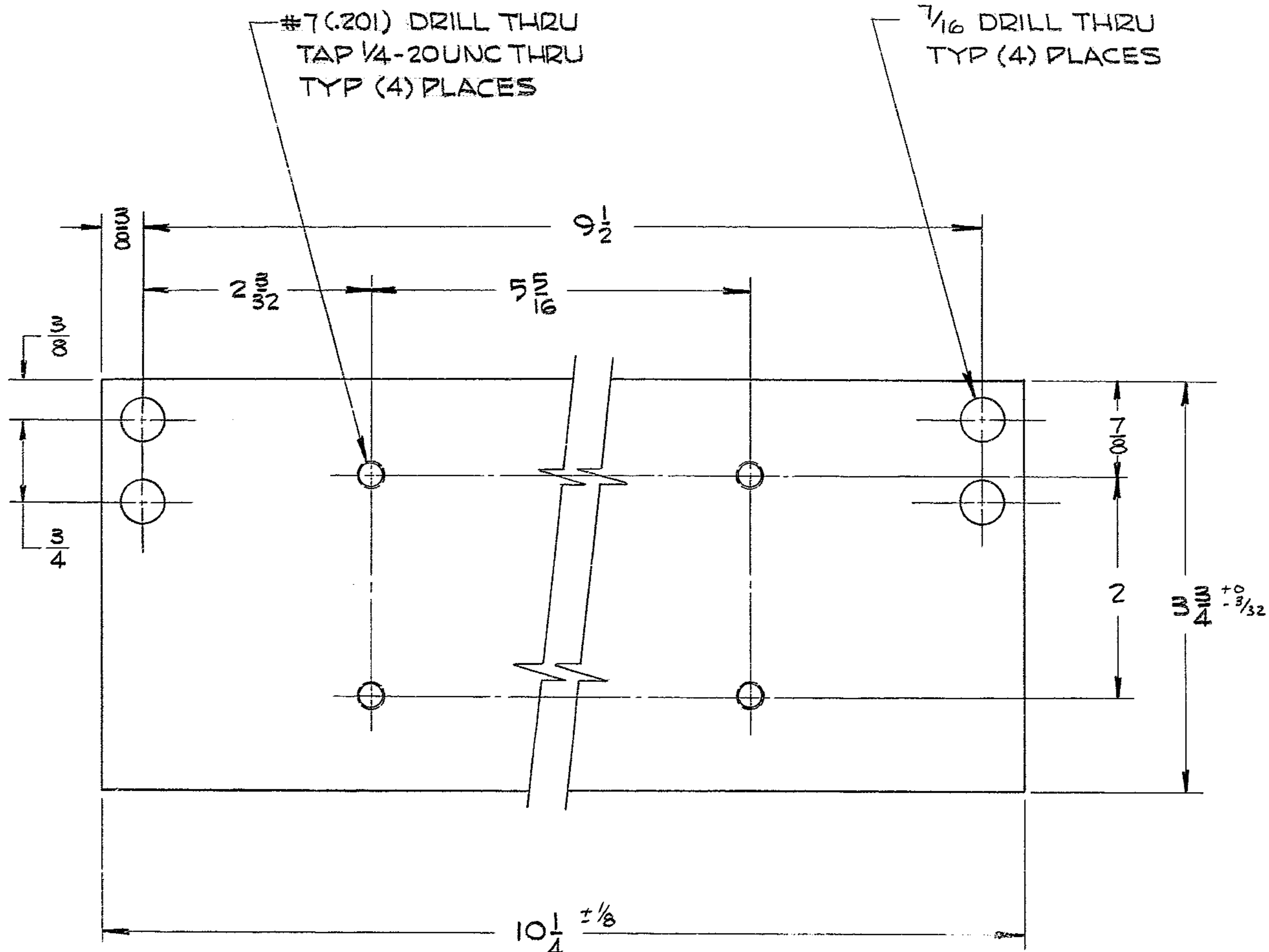
4

3

2

1

REVISIONS				
ZONE	LTR	DESCRIPTION	DATE	APPROVED
	A	RELEASED FOR MANUFACTURE	1-12-71	
	B	ADDED $\pm 1/8$ $\pm 9/32$	3-24-73	



NOTES:
1. ALL DIMENSIONS ARE IN INCHES.

NEXT ASSY: 2150.250 E002 (WGN102901)

1168

FIND NO.	PART NO.	DESCRIPTION	QTY	MATERIAL	CODE IDENT
LIST OF MATERIAL (LM)					
LIMITS ON MACHINED DIMENSIONS EXCEPT AS NOTED ANGULAR = $\pm 1^\circ 0'$ LINEAR: .X = $\pm .1$.XXX = $\pm .010$.XX = $\pm .03$ FRACTIONAL = $\pm 1/32$		150 INCH STELLAR TELESCOPE MOUNTING		WESTERN GEAR CORPORATION	HEAVY MACHINERY DIVISION EVERETT, WASHINGTON
BREAK ALL SHARP EDGES		DRAWN white	1-12-71	BRACKET, CABLE HARNESS, D.A. WRAP-UP	
MATERIAL		CHECK			
STL, ASTM-A36 OR EQ, 5/8 x 3 3/4 x 10 1/4		ENGR SKILES	1-10-71		
		WGD 107509		SIZE	CODE IDENT NO.
		APPROVED		C	16603
					2150.250C028
				REV	B
				SCALE 1/1	WT 5 LB SHEET 1 OF 1