

4

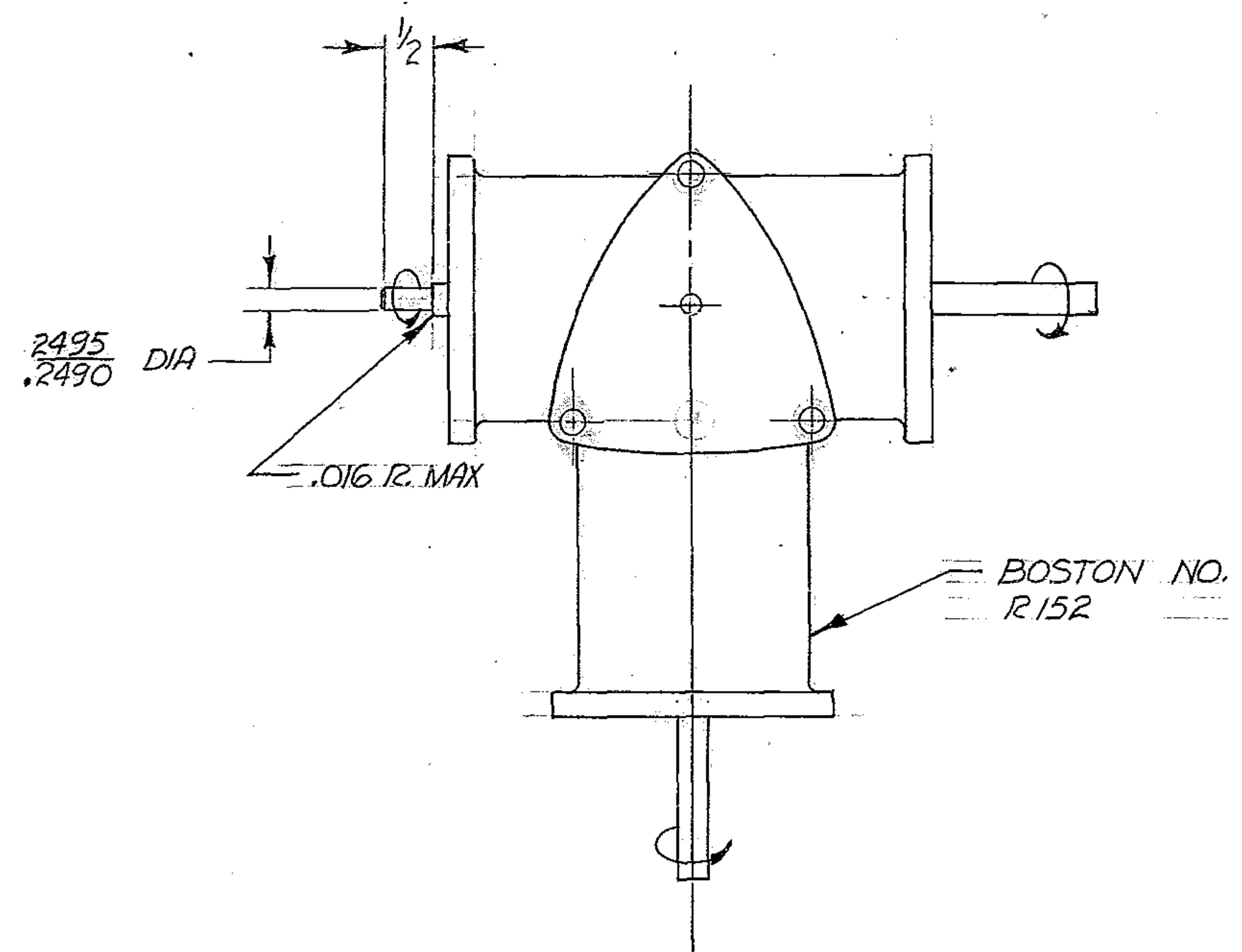
3

2

1

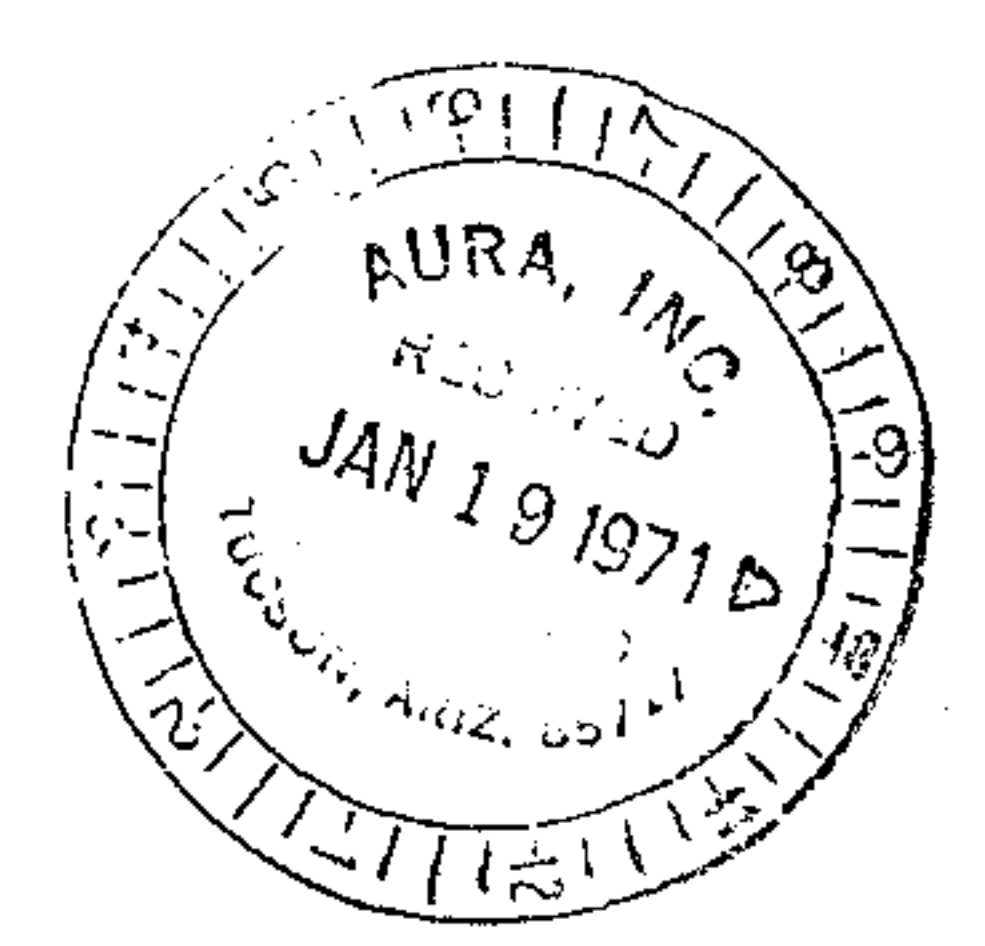
REVISIONS				
ZONE	LTR	DESCRIPTION	DATE	APPROVED

*90/11/8 2/20/81
SF*



NOTES:
1. ALL DIMENSIONS ARE IN INCHES

OBSOLETE



NEXT ASSY : 2150.250E002 (W.G.N. 102901)

FIND NO.	PART NO.	DESCRIPTION	QTY	MATERIAL	CODE IDENT
LIST OF MATERIAL (LM)					
LIMITS ON MACHINED DIMENSIONS EXCEPT AS NOTED ANGULAR = ± 1° 0'		150 IN STELLAR TELESCOPE MOUNTING		Western GEAR CORPORATION HEAVY MACHINERY DIVISION EVERETT, WASHINGTON RIGHT ANGLE DRIVE HORSESHOE ASSY	
LINEAR: X = ± .1 .XXX = ± .010 XX = ± .03 FRACTIONAL = ± 1/32		DRAWN <i>D. Thompson</i> CHECK <i>J. K. Koenig</i> 8-16-68 ENGR			
BREAK ALL SHARP EDGES		MATERIAL		WG.D. 107613 APPROVED	
SCALE 1/2		WT		SIZE C CODE IDENT NO. 16603 2150.250C023	REV
LB		SHEET / OF /			

D

D

C

C

B

B

A

A