

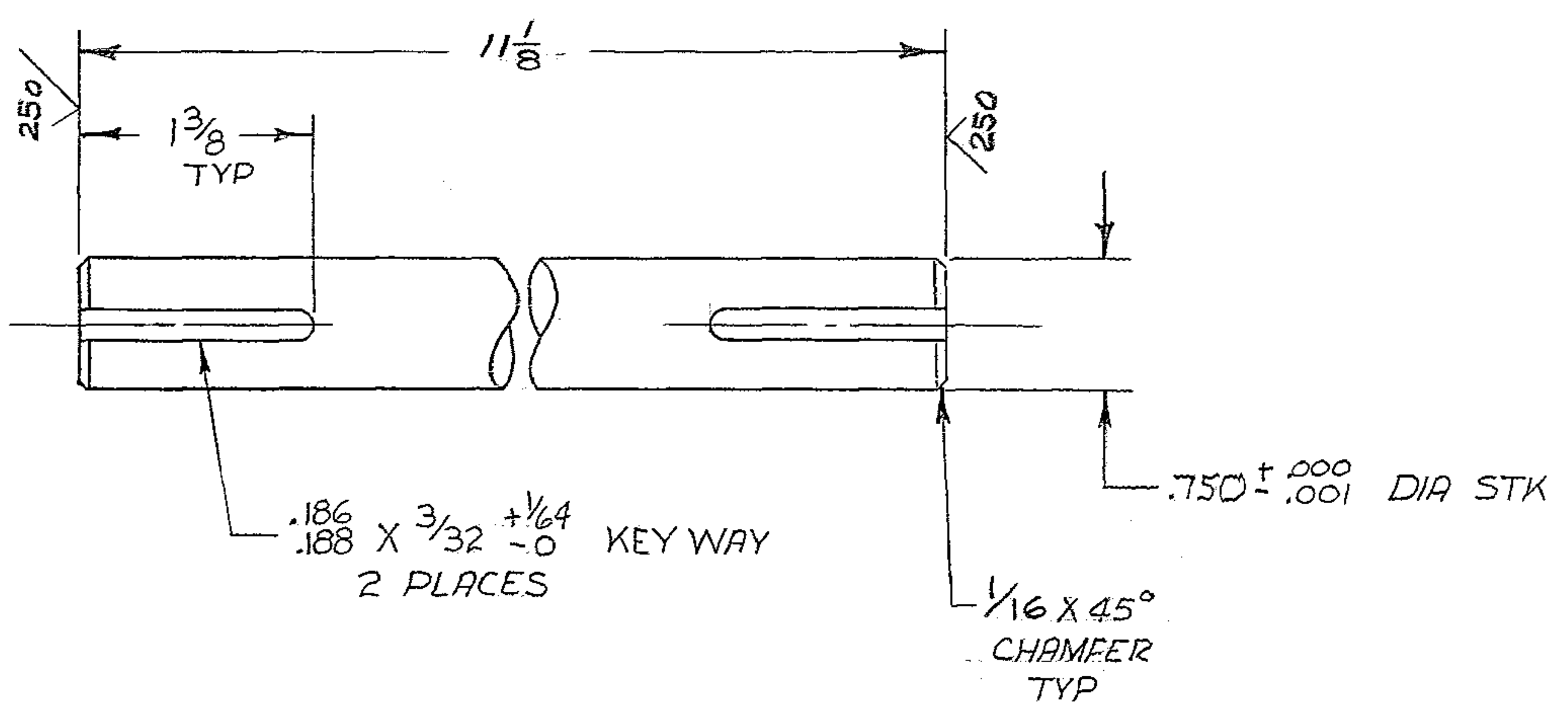
4

3

2

1

REVISIONS				
ZONE	LTR	DESCRIPTION	DATE	APPROVED
	A	RELEASED FOR MANUFACTURE PER AURA	3/11/69	FG
	JS	1 1/8 WFS 12 3/4	3/24/73	LDS



NOTES :

1. ALL DIMENSIONS ARE IN INCHES
2. TAG WITH PART NO. 2150.250 C007

REF. FILE 1168

NEXT ASSY : 2150.250 E002 (W.G.N 102901)

WESTERN GEAR CORPORATION
 CONSTRUCTION PROJECTS
 DEPARTMENT
 APPROVED FOR
 PROCUREMENT
J. Green DATE 3/12/69

FIND NO.	PART NO.	DESCRIPTION	QTY	MATERIAL	CODE IDENT
LIST OF MATERIAL (LM)					
LIMITS ON MACHINED DIMENSIONS EXCEPT AS NOTED ANGULAR = ± 1° 0'		150 IN STELLAR TELESCOPE MOUNTING		WESTERN GEAR CORPORATION HEAVY MACHINERY DIVISION EVERETT, WASHINGTON	
LINEAR: X = ± .1 .XXX = ± .010 .XX = ± .03 FRACTIONAL = ± 1/32		DRAWN <i>A. Green</i> CHECK <i>J. Madigan</i> 7-11-68 ENGR		SHAFT, COUPLING. HORSESHOE ASSY.	
MATERIAL PRECISION SHAFING 3/4 DIA X 11 1/8 LG STL AISI C 1045		W.G.D. 107 491 APPROVED		SIZE C 16603	CODE IDENT NO. 2150.250 C007
SCALE 1/1		WT		LB	SHEET 1 OF 1