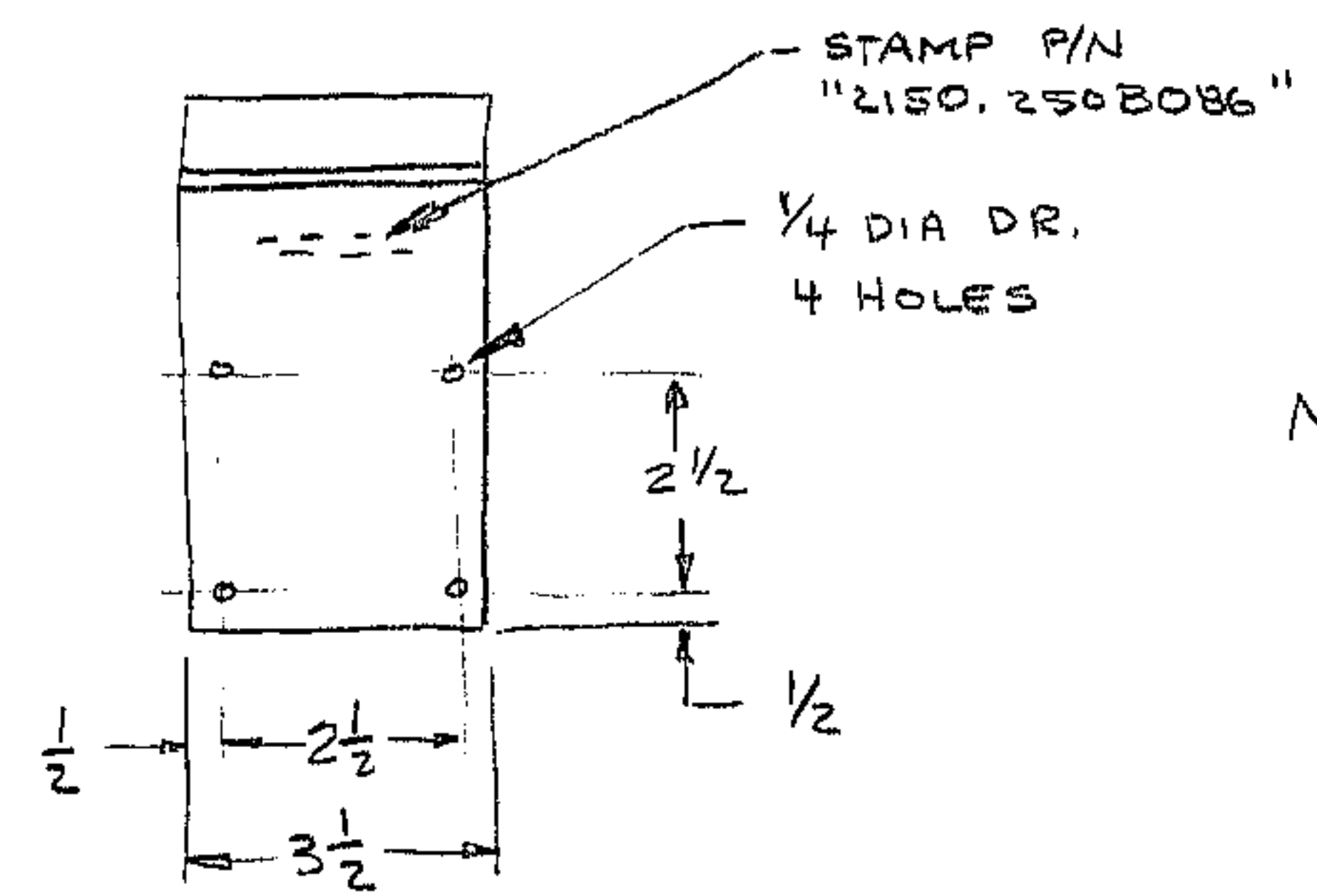
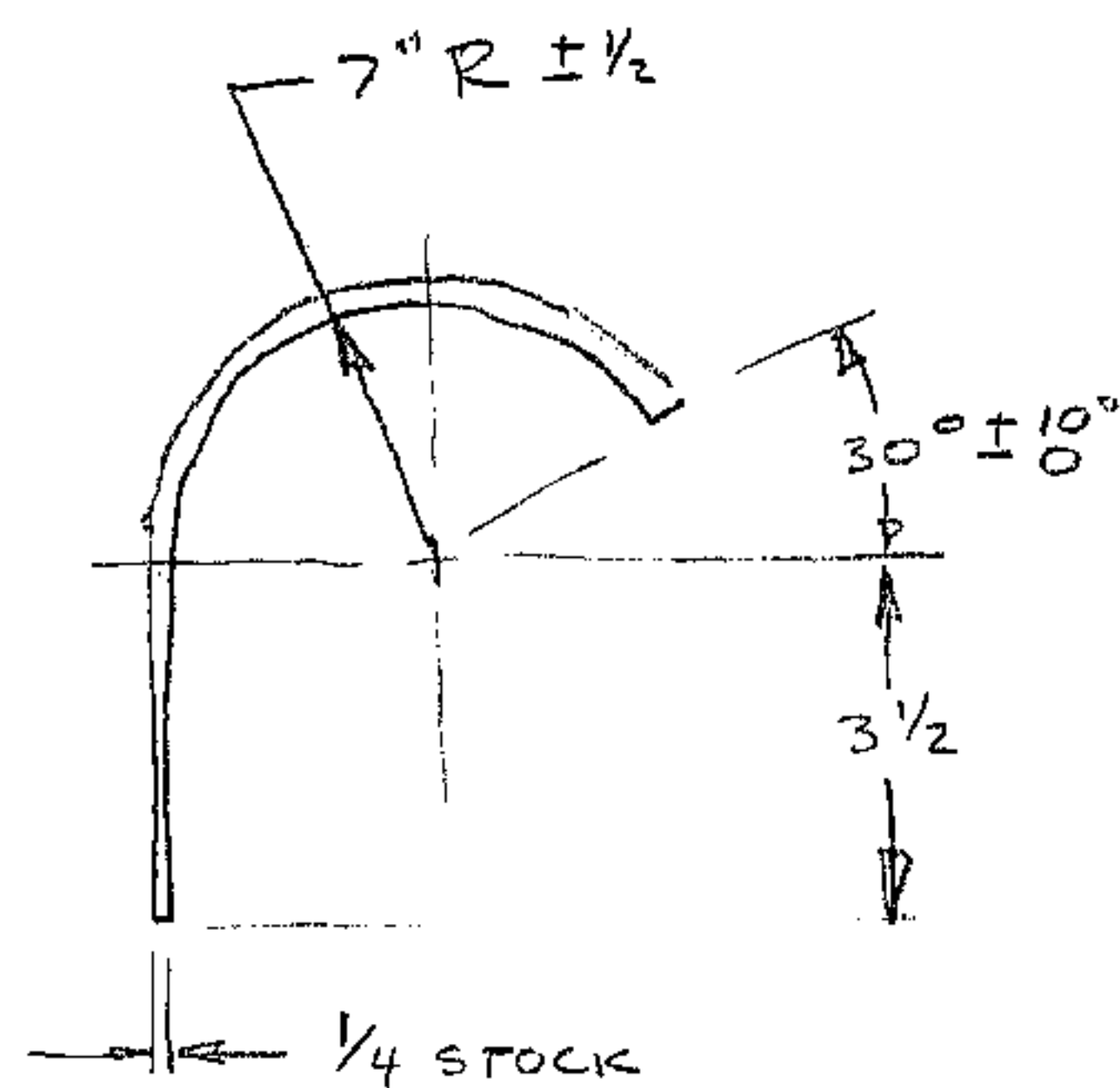


THIS DOCUMENT CONTAINS INFORMATION PROPRIETARY TO WESTERN GEAR CORPORATION. ALL DESIGN, MANUFACTURING, REPRODUCTION, USE, PATENT, AND SALES RIGHTS REGARDING THE SAME ARE HEREBY EXPRESSLY RESERVED BY WESTERN GEAR CORPORATION. THIS DOCUMENT IS SUBMITTED FOR REFERENCE PURPOSES ONLY AND SHALL NOT BE DISCLOSED TO ANY UNAUTHORIZED PERSON OR INCORPORATED INTO ANY OTHER PROJECT.

REVISIONS				
ZONE	LTR	DESCRIPTION	DATE	APPROVED



NOTES;
 1. MATL: STL ASTM A-7 OR EQ.
 2. PRIME PAINT AFTER MACHINING

REF. 1168

LIMITS ON MACHINED DIMENSIONS EXCEPT AS NOTED ANGULAR $\pm 1^{\circ}0'$ LINEAR .X = $\pm .1$.XX = $\pm .03$.XXX = $\pm .010$ FRACTIONAL $\pm \frac{1}{16}$	150" STELLAR TELESCOPE MOUNTING		WESTERN HEAVY MACHINERY DIVISION GEAR CORPORATION EVERETT, WASHINGTON	
	DRAWN <i>G. Russo</i> 11/30/71		BRACKET, LOWER	
	CHECK		COUDE 4 CABLE W/U	
	ENGR			
BREAK ALL SHARP EDGES	W.G. B 303483		SIZE B	CODE IDENT NO. 2150.250B086
	APPROVED		SCALE $\frac{1}{8}$	REV -
			WT. LB	SHEET 1 OF 1