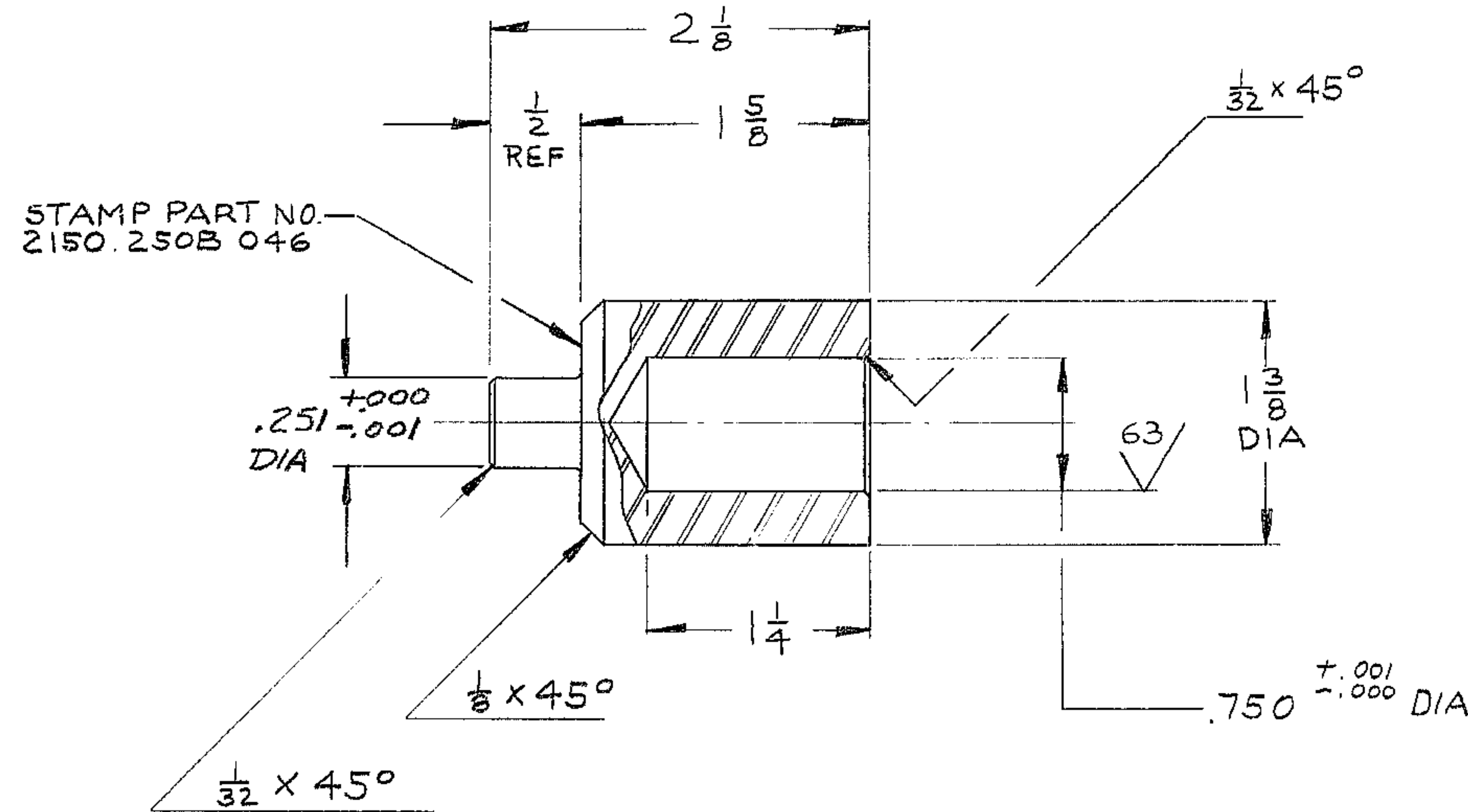


THIS DOCUMENT CONTAINS INFORMATION PROPRIETARY TO WESTERN GEAR CORPORATION. ALL DESIGN, MANUFACTURING, REPRODUCTION, USE, PATENT, AND SALES RIGHTS REGARDING THE SAME ARE HEREBY EXPRESSLY RESERVED BY WESTERN GEAR CORPORATION. THIS DOCUMENT IS SUBMITTED FOR REFERENCE PURPOSES ONLY AND SHALL NOT BE DISCLOSED TO ANY UNAUTHORIZED PERSON OR INCORPORATED INTO ANY OTHER PROJECT.

REVISIONS				
ZONE	LTR	DESCRIPTION	DATE	APPROVED
	A	RELEASED FOR CONSTR.	3/11/69	P.G.



- NOTES:
1. ALL DIMENSIONS ARE IN INCHES
 2. MATL.: STL AISI C 1018 DR EQ. $1 \frac{1}{2}$ DIA \times $2 \frac{1}{4}$ LG.
 3. FINISH 125/ ALL OVER EXCEPT AS NOTED

WESTERN GEAR CORPORATION
 CONSTRUCTION PROJECTS
 DEPARTMENT
 APPROVED FOR
 PROCUREMENT

P. Grefe DATE 3/10/69

NEXT ASSY: 2150.250 E 002 (W.G. N 102 901)

REF. FILE 1168

LIMITS ON MACHINED DIMENSIONS EXCEPT AS NOTED ANGULAR $\pm 1^\circ 0'$ LINEAR .X = $\pm .1$.XX = $\pm .03$.XXX = $\pm .010$ FRACTIONAL $\pm 1/32$ BREAK ALL SHARP EDGES	150 IN STELLAR TELESCOPE MOUNT.	WESTERN GEAR CORPORATION HEAVY MACHINERY DIVISION EVERETT, WASHINGTON	
	DRAWN P. GREFE CHECK P. GREFE ENGR	ADAPTER SHAFT HORSESHOE ASSY.	
W.G. C 112 738	SIZE B	CODE IDENT NO. 16603	REV A
APPROVED	SCALE 1/1	WT. LB	SHEET 1 OF 1