

5

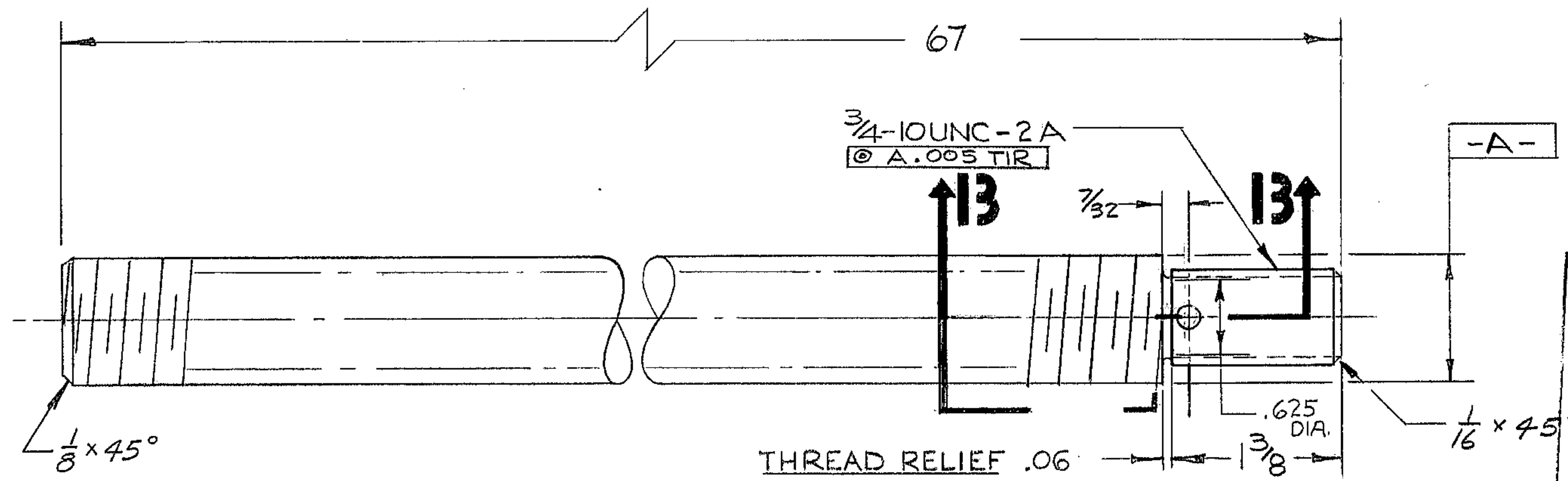
4

3

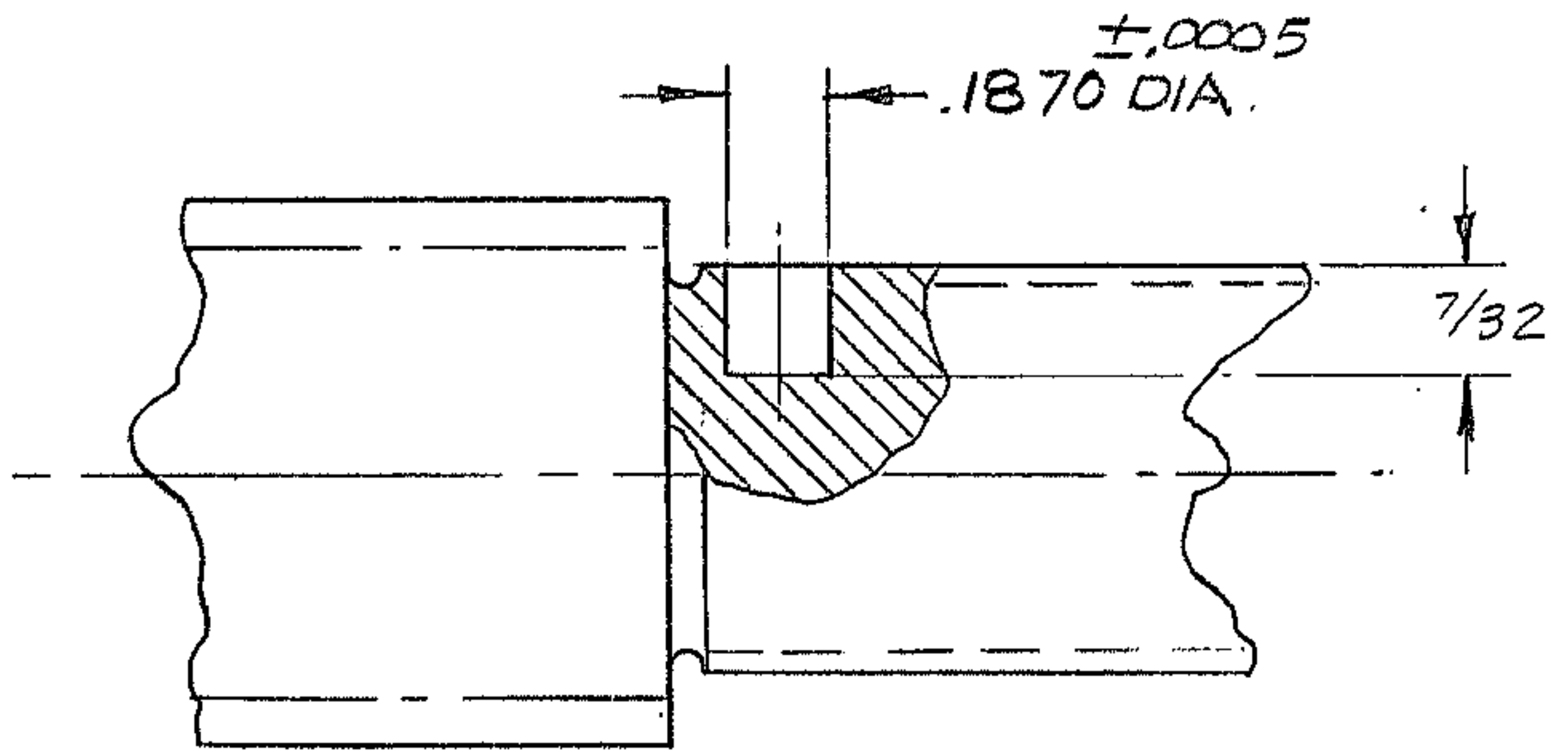
2

1

REVISIONS				
ZONE	LTR	DESCRIPTION	DATE	APPROVED
	A	REL. PER AURA - ADDED R.H. & SRT TO NOTE 4	2/17/69	GR



WESTERN GEAR CORPORATION  
 CONSTRUCTION PROJECTS  
 DEPARTMENT  
**APPROVED FOR  
 PROCUREMENT**  
 G.R. DATE 2/19/69



**NOTE:-**  
 1. ALL DIMENSIONS IN INCHES  
 2. MAT'L: BALL SCREW-SAGINAW 1000-0250-C1-SRT  
 R.H. LEAD .250 x 67" LONG.  
 3. TAG WITH PART NO. 2150.250 B043

REF. FILE 1168

NEXT ASSY: 2150.250 E 002 (WGN 102 901)

**SECTION 13-13**  
 SCALE 2/1

LIMITS ON MACHINED DIMENSIONS EXCEPT AS NOTED ANGULAR ± 1° 0' LINEAR .X = ± .1 .XX = ± .03 .XXX = ± .010 FRACTIONAL ± 1/32 BREAK ALL SHARP EDGES	150" STELLAR TELESCOPE MOUNTING		HEAVY MACHINERY DIVISION EVERETT, WASHINGTON		
	DRAWN L. GOLD		<b>SCREW, BALL HORSESHOE ASSY</b>		
	CHECK <i>L. Gold</i> 7-9-68		SIZE <b>B</b>	CODE IDENT NO. <b>16603</b>	REV <b>A</b>
	ENGR		WGC 112 385	2150.250 B043	
APPROVED		SCALE 1/1	WT. 4 LB	SHEET 1 OF 1	