

5

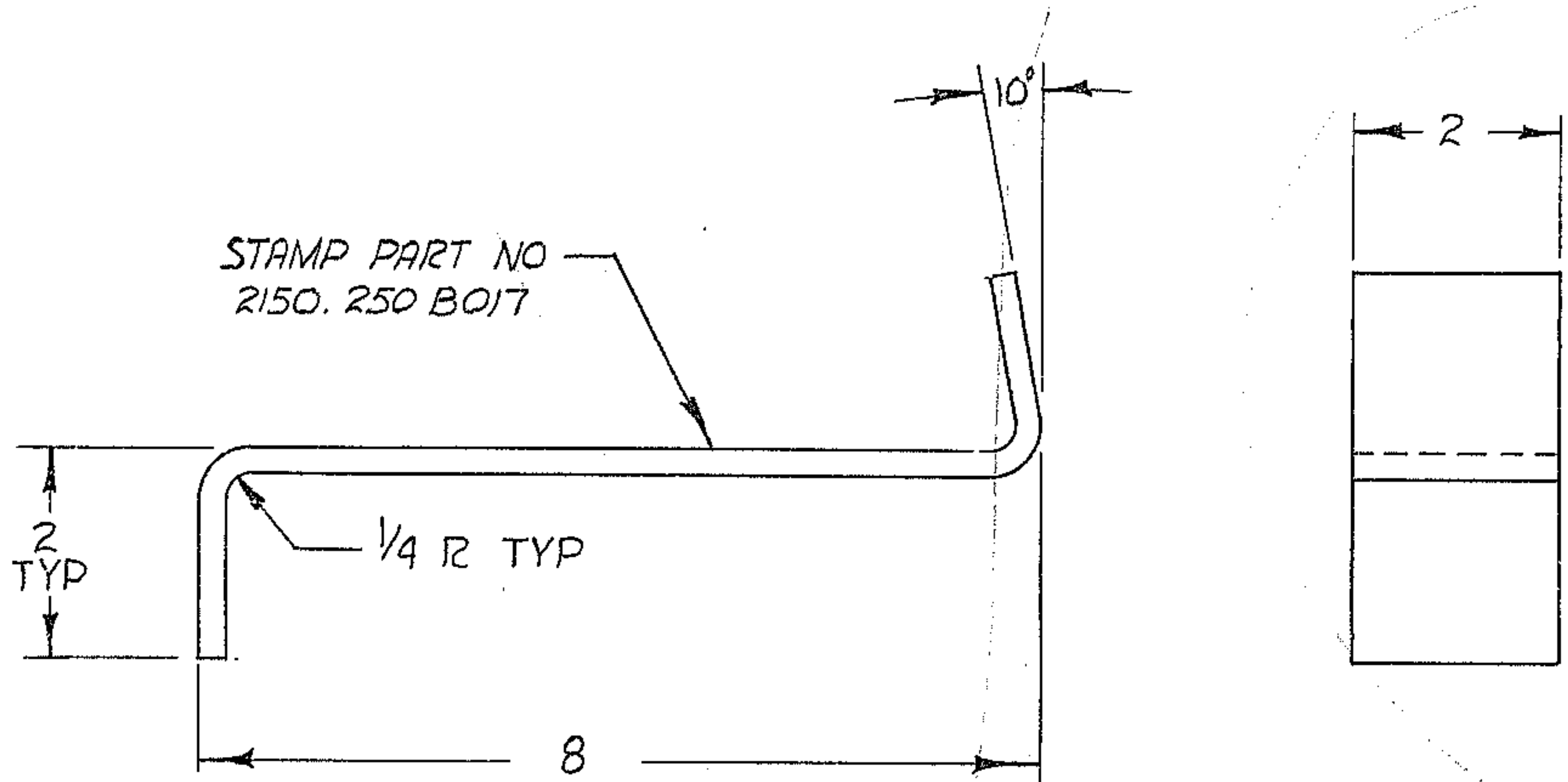
4

3

2

1

REVISIONS				
ZONE	LTR	DESCRIPTION	DATE	APPROVED
	A	REL FOR MFR	10/13/69	<i>[Signature]</i>



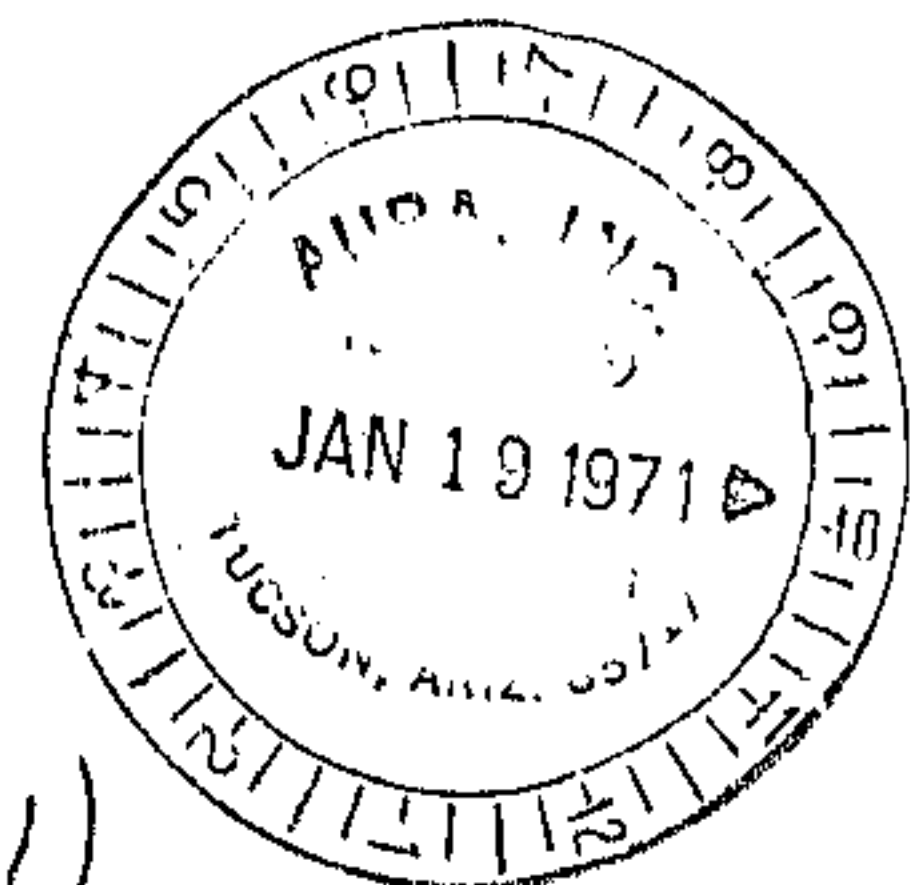
NOTES :

- 1. ALL DIMENSIONS ARE IN INCHES.
- 2. STAMP PART NO. 2150.250 B017
- 3. MAT'L : BAR 2X1/4X12 STL ASTM A 7 OR EQUIV.

CANCELLED 10/13/69

ABSOLUTE

NOT REL



WESTERN GEAR CORPORATION
CONSTRUCTION PROJECTS
DEPARTMENT

**APPROVED FOR
PROCUREMENT**

[Signature] DATE 10/13/69

NEXT ASSY 2150.250E002 (W.G.N 102901)

LIMITS ON MACHINED DIMENSIONS EXCEPT AS NOTED ANGULAR ± 1° 0' LINEAR .X = ± .1 .XX = ± .03 .XXX = ± .010 FRACTIONAL ± 1/32 BREAK ALL SHARP EDGES	150 IN STELLAR TELESCOPE MOUNTING		WESTERN GEAR CORPORATION HEAVY MACHINERY DIVISION EVERETT, WASHINGTON	
	DRAWN <i>D. Thompson</i> CHECK <i>L. Nicolay</i> ENGR		CLIP, MOUNTING HORSESHOE ASSY	
W.G.C. 112682		SIZE B	CODE IDENT NO. 16603	REV A
APPROVED		SCALE 1/2	WT.	LB SHEET 1 OF 1