

5

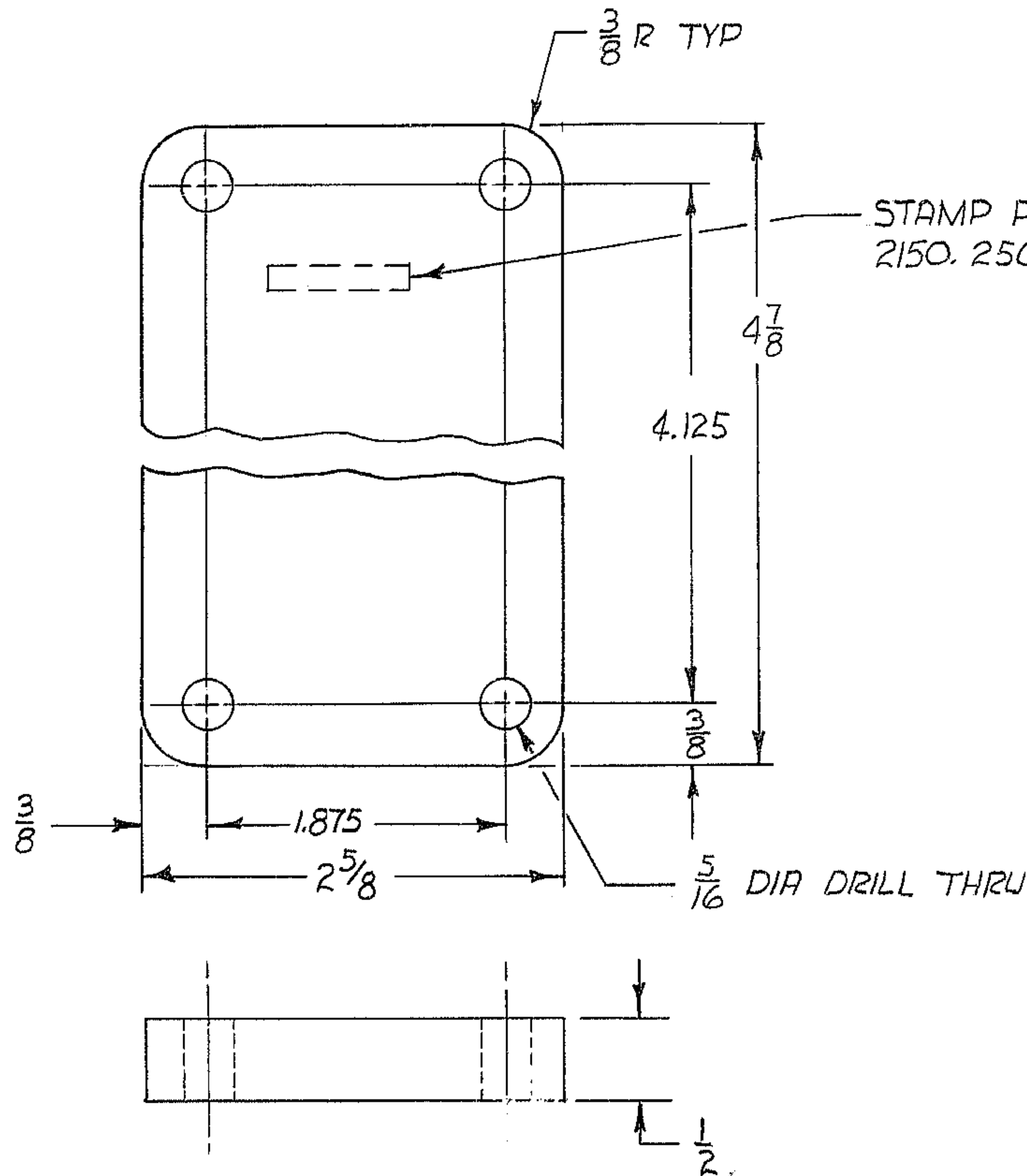
4

3

2

1

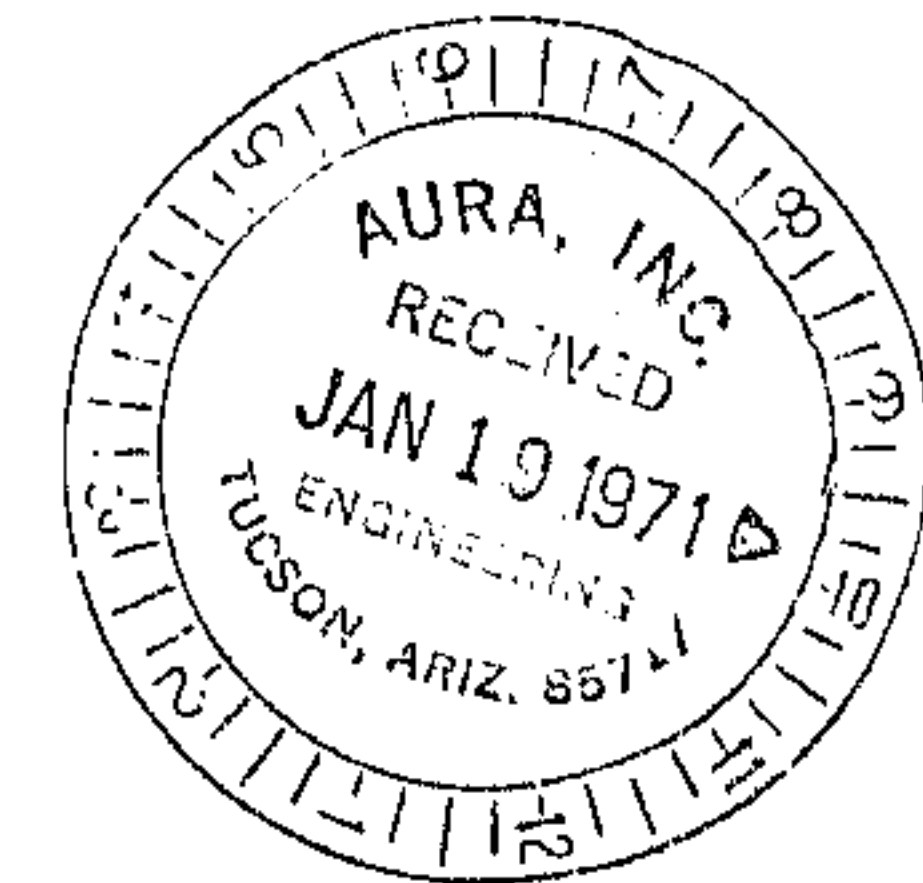
REVISIONS				
ZONE	LTR	DESCRIPTION	DATE	APPROVED



NOTES

- 1. ALL DIMENSIONS ARE IN INCHES
- 2. MAT'L : R 2 5/8 X 1/2 X 4 7/8  
STL ASTM A36

OBSOLETE



LIMITS ON MACHINED DIMENSIONS EXCEPT AS NOTED ANGULAR ± 1° 0' LINEAR .X = ± .1 .XX = ± .03 .XXX = ± .010 FRACTIONAL ± 1/32  BREAK ALL SHARP EDGES	1 1/2 INCH STELLAR TELESCOPE MOUNTING		<b>Western</b> HEAVY MACHINERY DIVISION GEAR CORPORATION EVERETT, WASHINGTON		
	DRAWN L. JOHNSON 2-68		SPACER, HINGE		
	CHECK <i>E. McLaughlin</i> ENGR		SIZE <b>B</b>	CODE IDENT NO. <b>16603</b>	2150.250B016
	APPROVED <b>WGC112676</b>		SCALE 1/1	WT.	LB SHEET 1 OF 1