

5

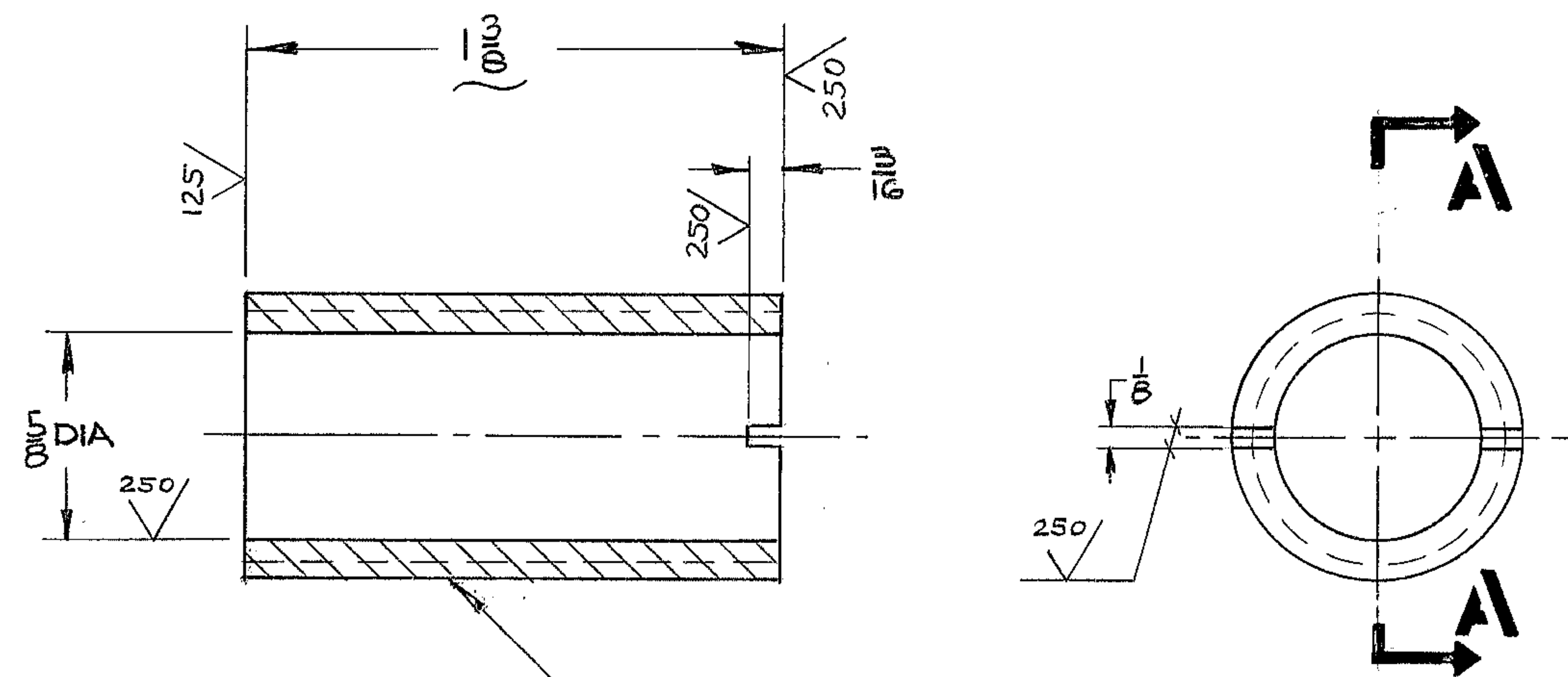
4

3

2

1

REVISIONS				
ZONE	LTR	DESCRIPTION	DATE	APPROVED
	A	RELEASED FOR CONSTR.	3/11/69	PG.



$\frac{7}{8}$ -14 UNF.-2A THREAD

SECTION **A-A**

- NOTES:-
1. ALL DIMENSIONS ARE IN INCHES.
  2. FINISH  $\sqrt{125}$
  3. MAT'L :- BAR  $\frac{7}{8}$  OD  
STL AISI C 1018 OR EQ.
  4. TAG WITH 2150.250 B012

REF. FILE 1168

WESTERN GEAR CORPORATION  
 CONSTRUCTION PROJECTS  
 DEPARTMENT  
 APPROVED FOR  
 PROCUREMENT  
*P. Grefe* DATE 3/18/69

NEXT ASS'Y: 2150.250E002 WGN 102,901

LIMITS ON MACHINED DIMENSIONS EXCEPT AS NOTED ANGULAR $\pm 1^{\circ} 0'$ LINEAR .X = $\pm .1$ .XX = $\pm .03$ .XXX = $\pm .010$ FRACTIONAL $\pm 1/32$  BREAK ALL SHARP EDGES	150 IN STELLAR TELESCOPE MOUNTING	western GEAR CORPORATION HEAVY MACHINERY DIVISION EVERETT, WASHINGTON	
	DRAWN L.GOLD CHECK <i>L. Gold</i> ENGR	SCREW, ADJUSTMENT HORSESHOE ASS'Y	
W.G.C 112,466	SIZE <b>B</b>	CODE IDENT NO. <b>16603</b>	REV <b>A</b>
APPROVED	SCALE <u>2/1</u>	WT.	LB SHEET OF