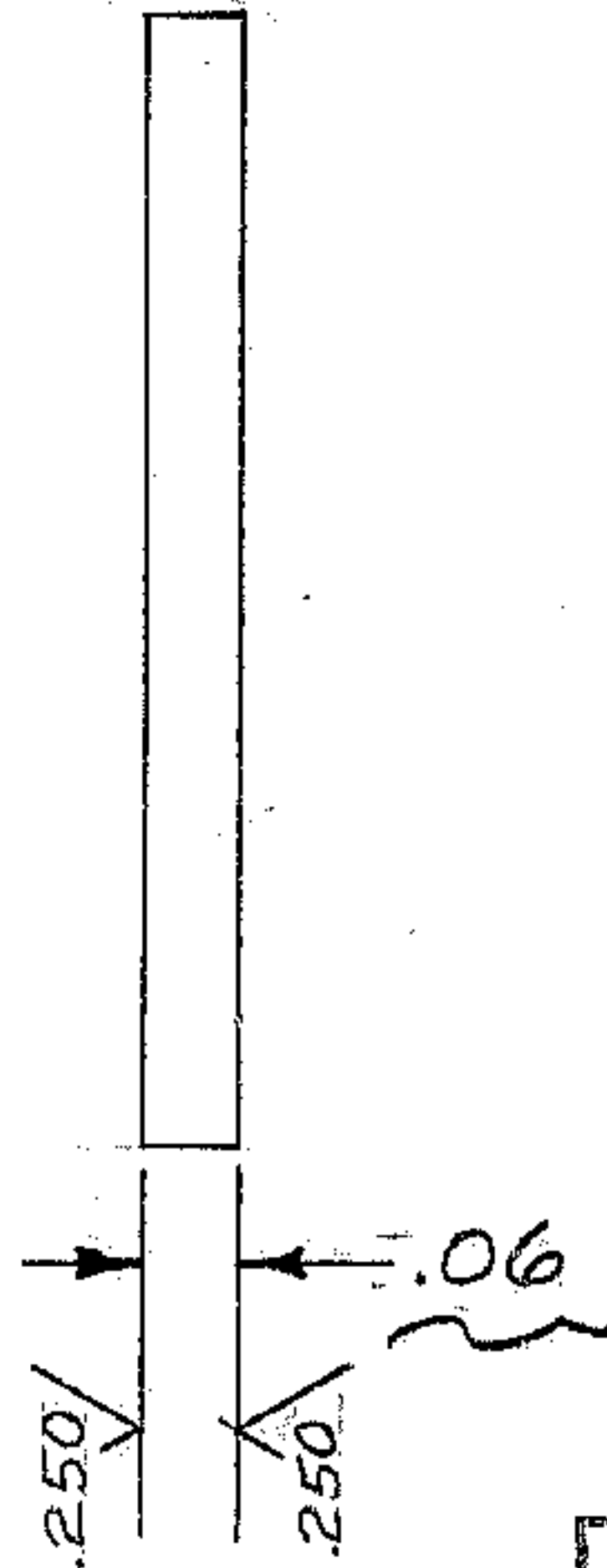
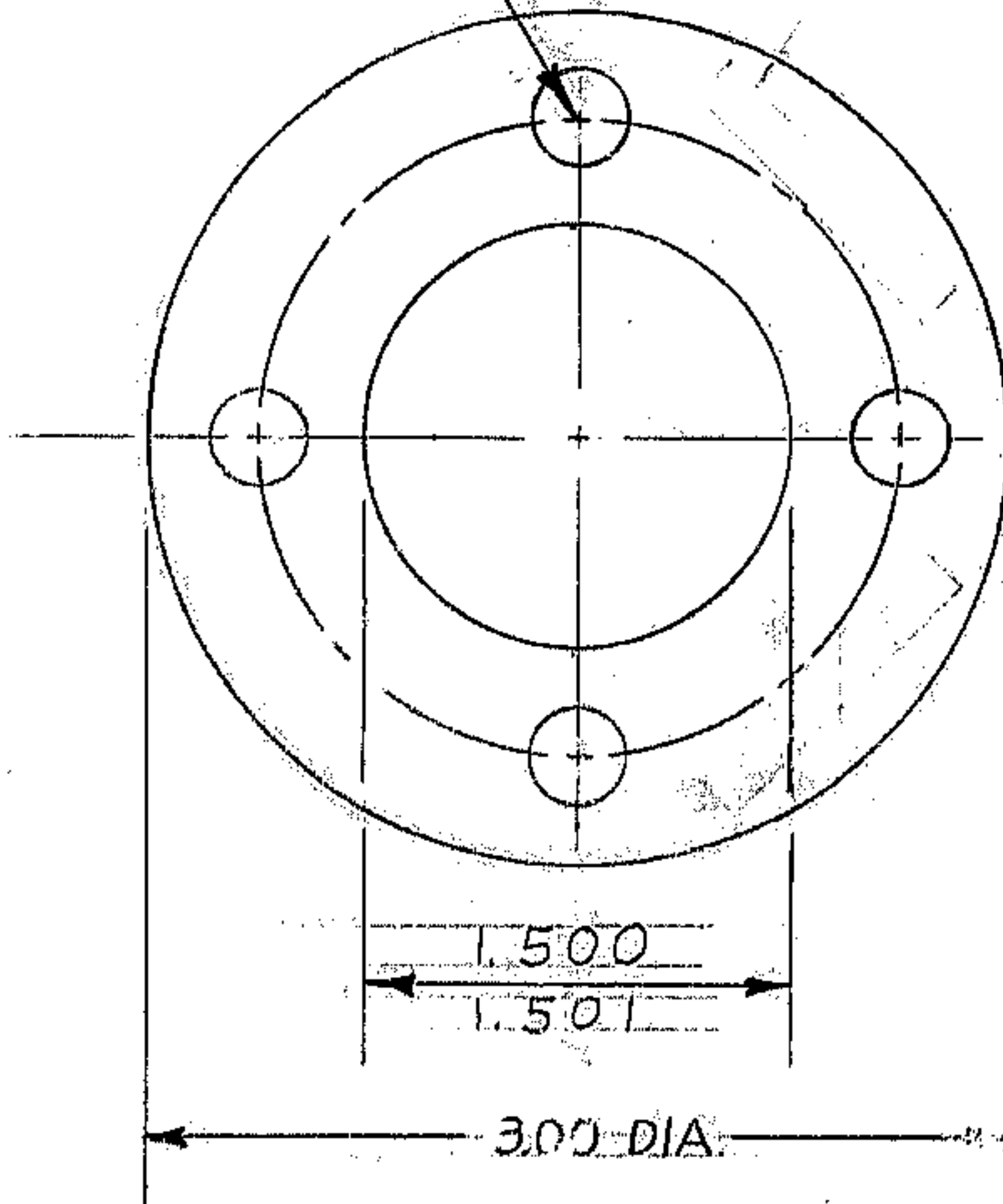


REVISIONS

ZONE	LTR	DESCRIPTION	DATE	APPROVED
-	A	ADDED "CTIO; COUDE 4 LOC. PIN." TO TITLE	8/2/72	GR

1/32 DIA. THRU (4)
HOLES EQUALLY
SPACED ON
2.25 DIA. B.C.



REF. FILE 1617

MATERIAL: ASTM-A-36 OR AISI-1018
1/16 x 3 DIA.

NEXT ASSY: 2150.250E002 (WGN-102901)

LIMITS ON
MACHINED DIMENSIONS
EXCEPT AS NOTED
ANGULAR ± 1° 0'
LINEAR
X = ± .1
.XX = ± .03
.XXX = ± .010
FRACTIONAL ± 1/32

150" STELLAR
TELESCOPE MOUNTING

WESTERN
GEAR CORPORATION

HEAVY MACHINERY DIVISION
EVERETT, WASHINGTON

DRAWN *J. Kelso*

CHECK

ENGR *SKILES*

WGA-302081

APPROVED

SPACER, (CTIO)
COUDE 4 LOCATING PIN, UPPER.

SIZE A	CODE IDENT NO. 16603	2150.250A090	REV A
SCALE 1/1	WT.	LB	SHEET 1 OF 1

BREAK ALL
SHARP EDGES