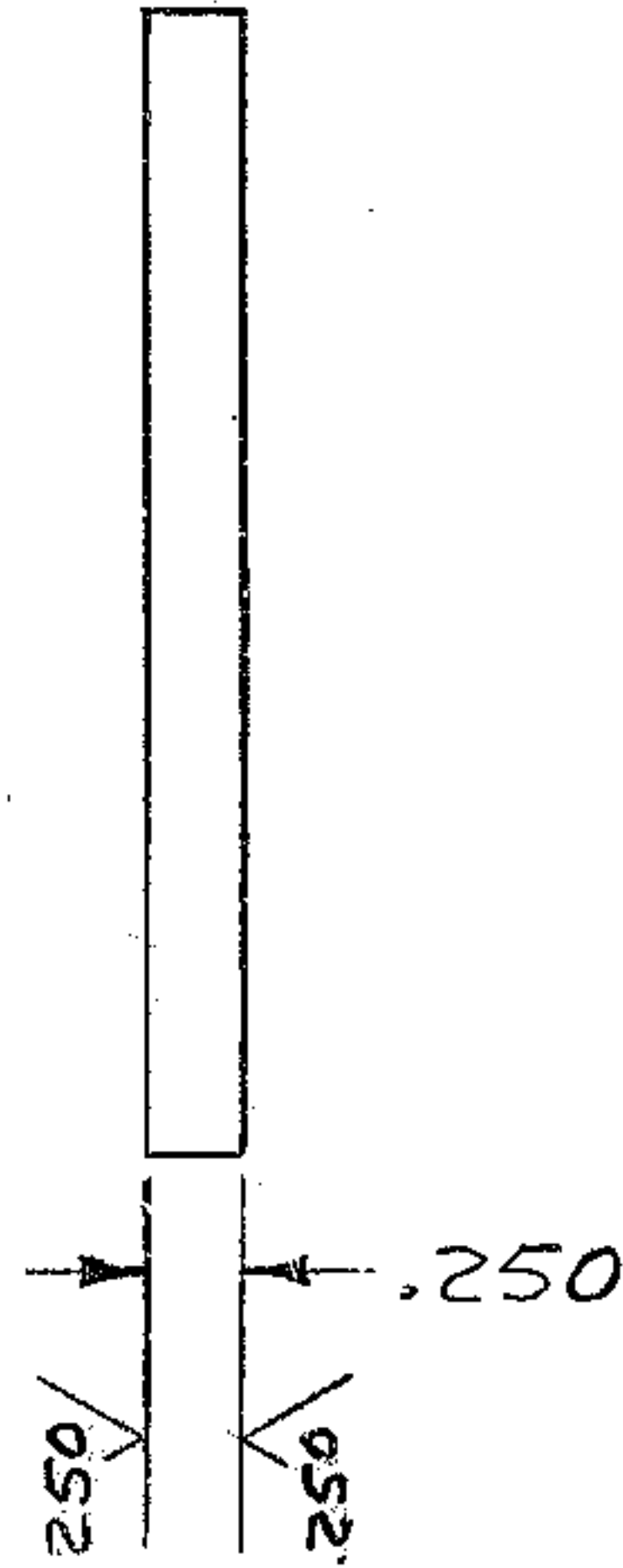
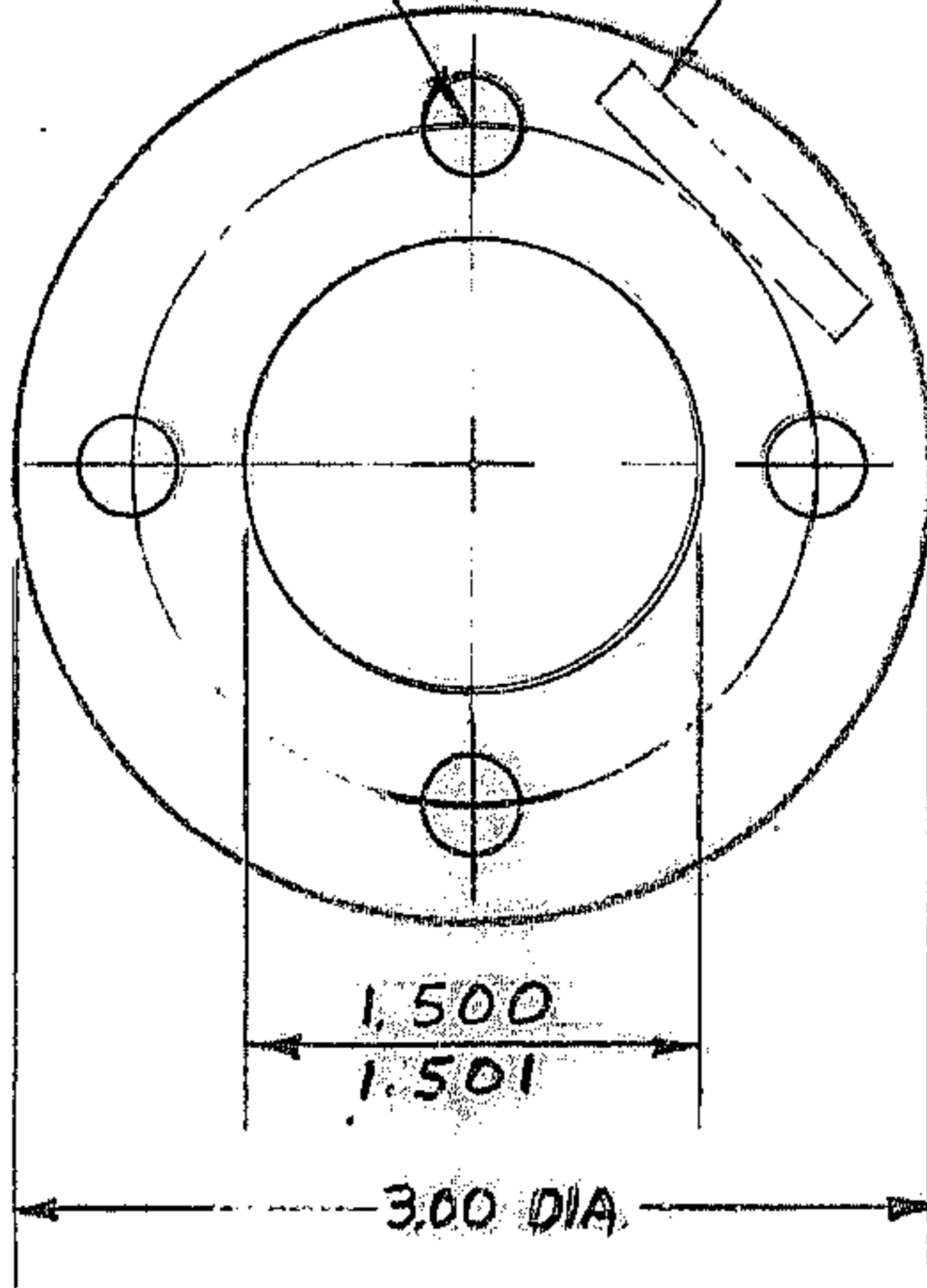


REVISIONS

ZONE	LTR	DESCRIPTION	DATE	APPROVED
	A	WAS 2150.680A016 .250 WAS .025 THK. ADDED CT10 ONLY	4-18-72	

11/32 DIA. THRU (4)
HOLES EQUALLY
SPACED ON
2.25 DIA. B.C.

STL. STAMP
PIN 2150.250A087



MATERIAL: ASTM A-36 OR AISI-1018
3/8 X 3 DIA.

1517

NEXT ASSY: 2150.250E002 (WGN-102901)

LIMITS ON
MACHINED DIMENSIONS
EXCEPT AS NOTED
ANGULAR ± 1° 0'
LINEAR
X = ± .1
XX = ± .03
XXX = ± .010
FRACTIONAL ± 1/32

150" STELLAR
TELESCOPE MOUNTING

WESTERN
GEAR CORPORATION

HEAVY MACHINERY DIVISION
EVERETT, WASHINGTON

DRAWN *J. Kelso*

CHECK

ENGR *SKILES*

SPACER
CT10 ONLY

CODE 4 LOWER
LOCATING PIN

WGA-301569

SIZE
A

CODE IDENT NO.
16603

2150.250A087

REV
A

APPROVED

SCALE 1/1

WT.

LB

SHEET 1

OF 1

BREAK ALL
SHARP EDGES

A-301569