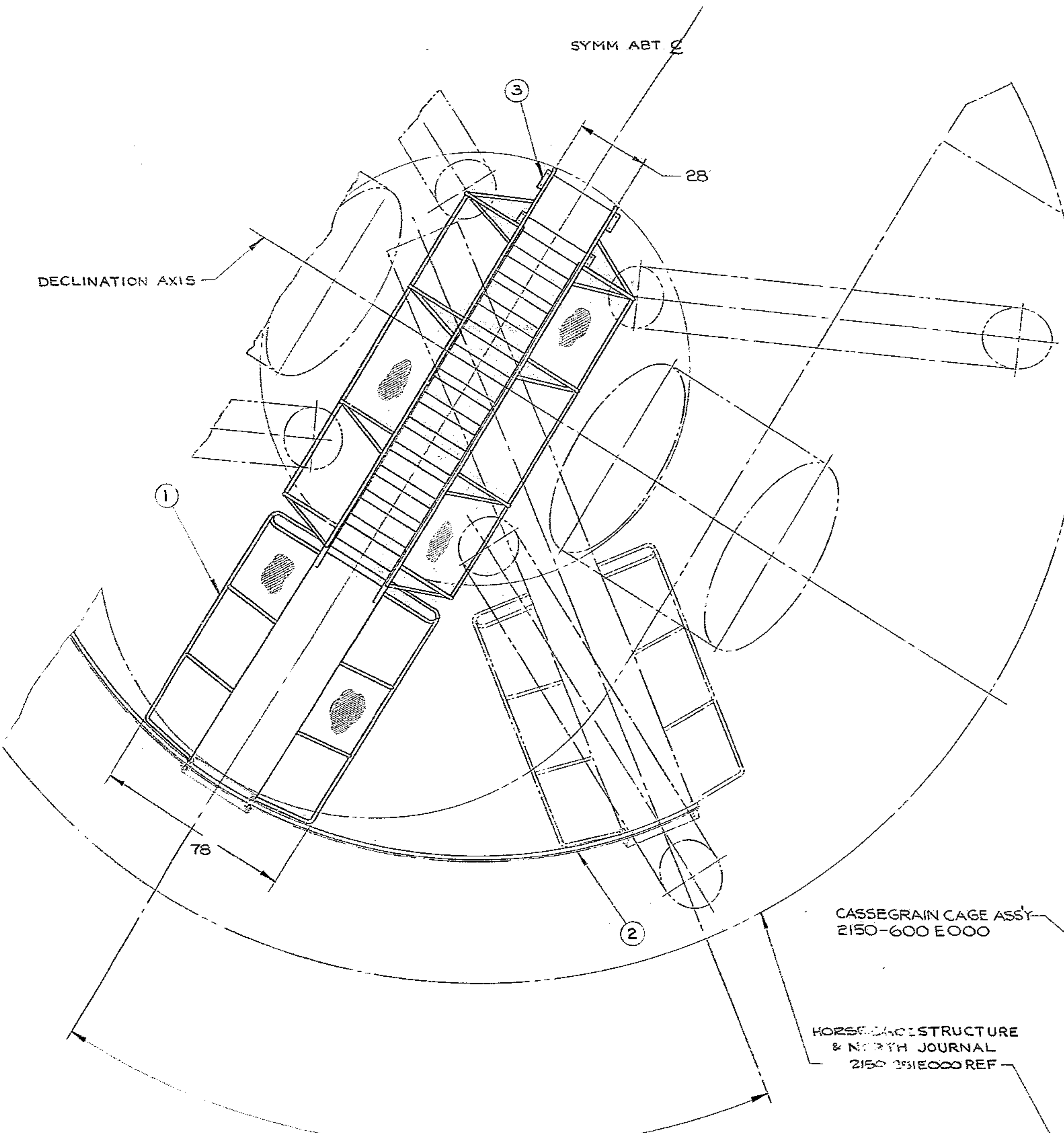
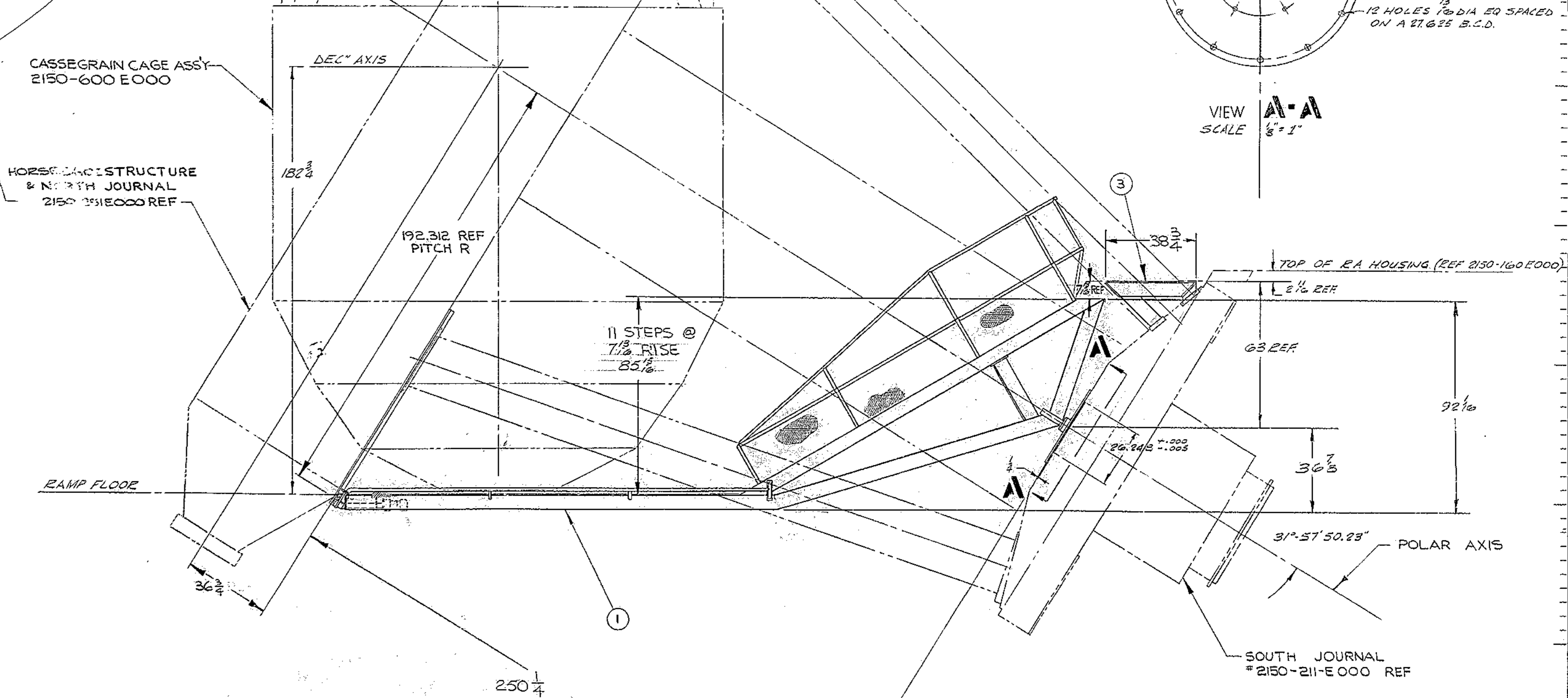
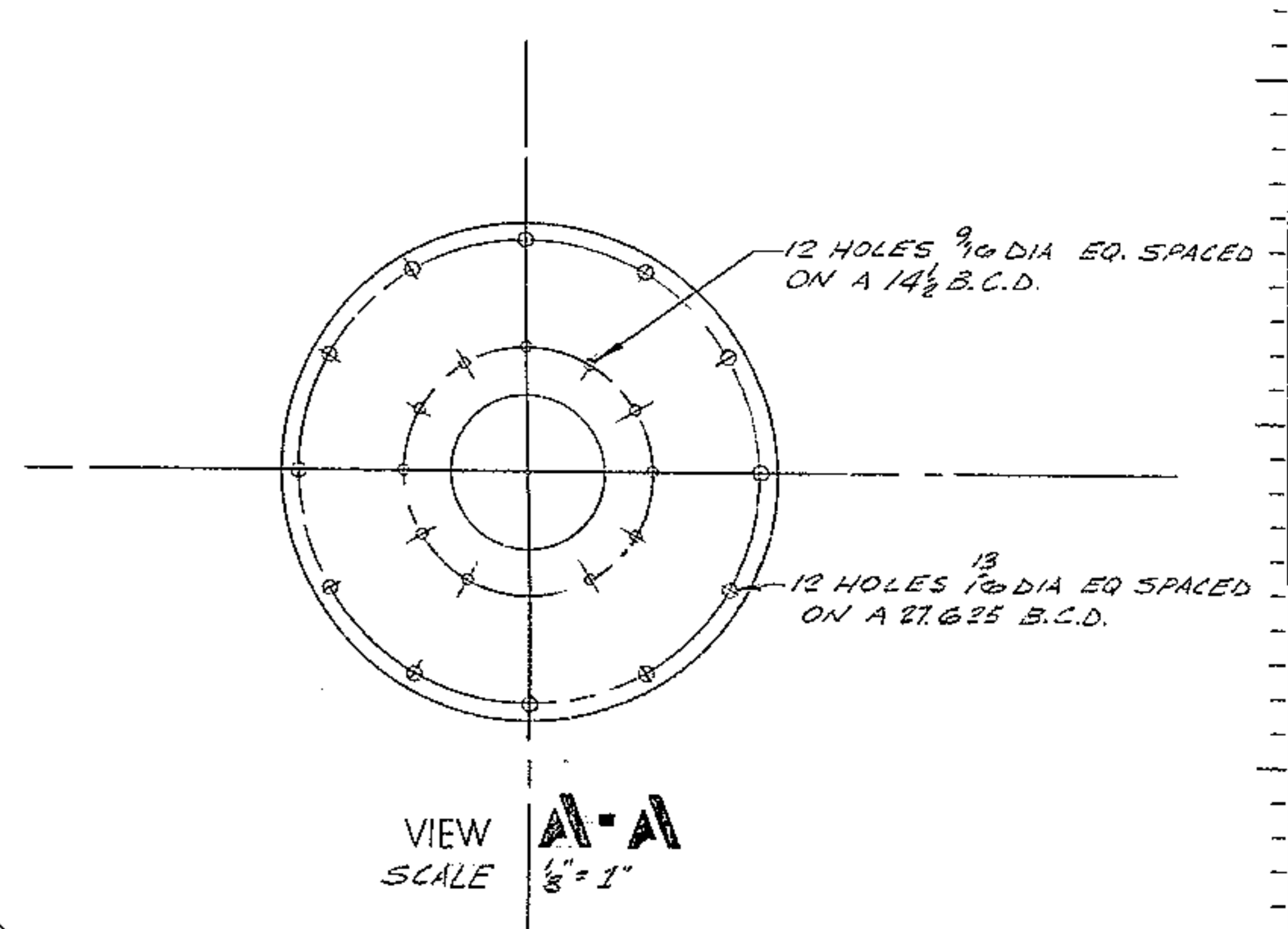


BILL OF MATERIAL				QUANTITIES NOTED ARE THE TOTAL NUMBER REQUIRED.	
ITEM	DWG. NO.	QTY.	MATERIAL	DESCRIPTION	WEIGHT
1	2150-242E	1		CASSE GRAIN RAMP	2795
2	2150-233E	1		NORTH SUPPORT	235
3	2150-241E	1		CASSE GRAIN PLATFORM	190
					ESTIMATED WEIGHT 3200 LBS.



NOTES:
 1. PAINT PER SPEC.
 2. ASSEMBLE PER SPEC.



CASSEGRAIN CAGE ASSY
2150-600 E000

HOUSING STRUCTURE & NORTH JOURNAL
2150-231E000 REF

54° MAXIMUM TRAVEL

FOR ASSEMBLY SEE 2150.200-E000

TOLERANCES UNLESS OTHERWISE NOTED.		KITT PEAK NATIONAL OBSERVATORY	
FRACTIONAL FABRICATION	UP TO 1" ± 1/16"	OPERATED BY THE ASSOCIATION OF UNIVERSITIES FOR RESEARCH IN ASTRONOMY, INC.	
	1" TO 5" ± 1/8"	NATIONAL SCIENCE FOUNDATION	
	5" & OVER ± 1/8"	150 IN STELLAR TELESCOPE	
MACHINING	UP TO 1" ± .015	NAME CASSE GRAIN RAMP ASSEMBLY	
	1" TO 5" ± .008	SCALE 1/2" = 1"	
	5" & OVER ± .005	DRAWING NUMBER 2150.240-E000	
DECIMAL	ANGLES	REVISED PER LIST # 12.8.61LS	
00.000 ± .003	± 9°-15'	UNLESS OTHERWISE NOTED SURFACES MARKED V TO HAVE FINISH	

W. R. LYDSTER ENGINEERS - DESIGNERS SAN JOSE, CALIF.