

5

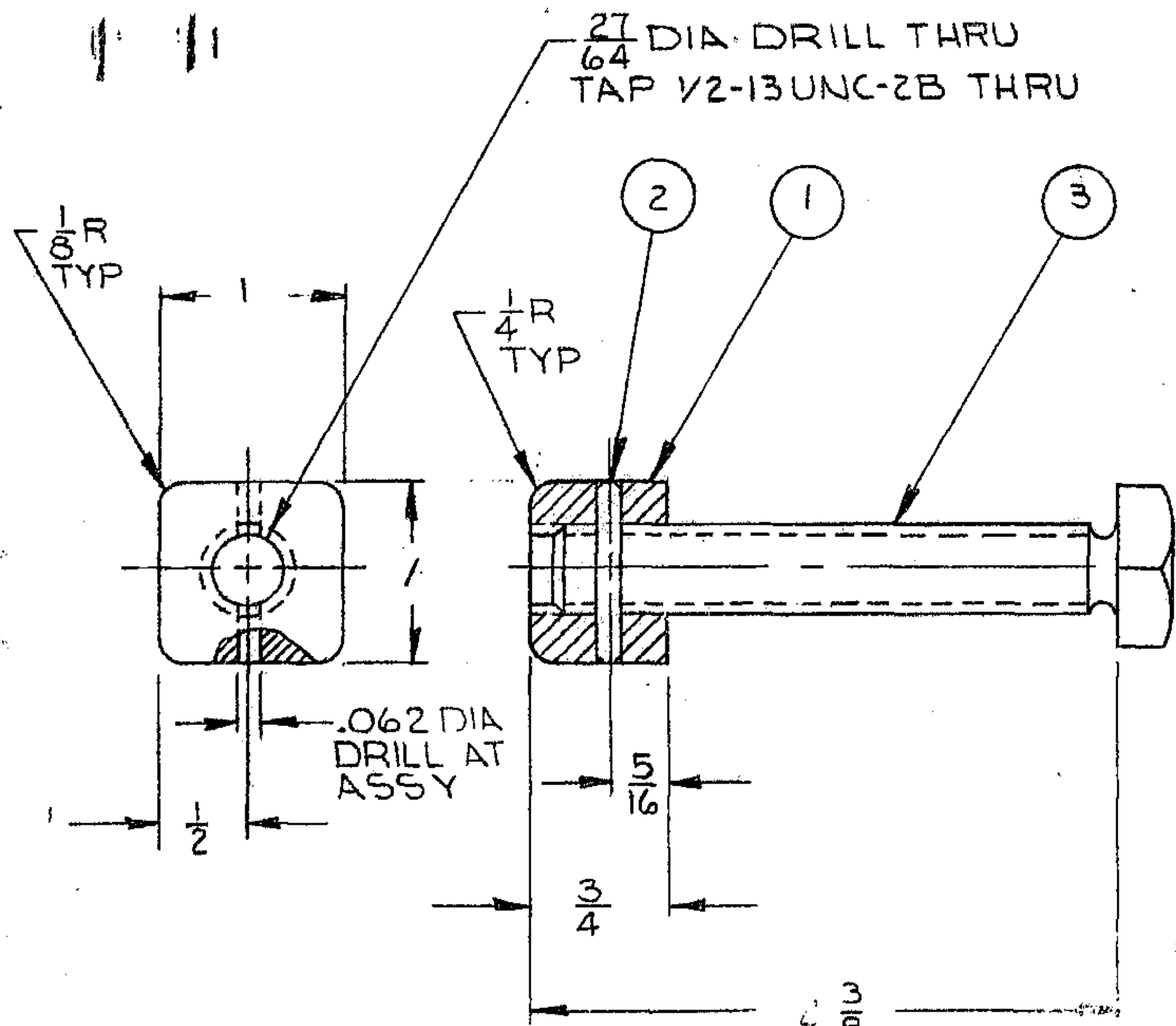
4

3

2

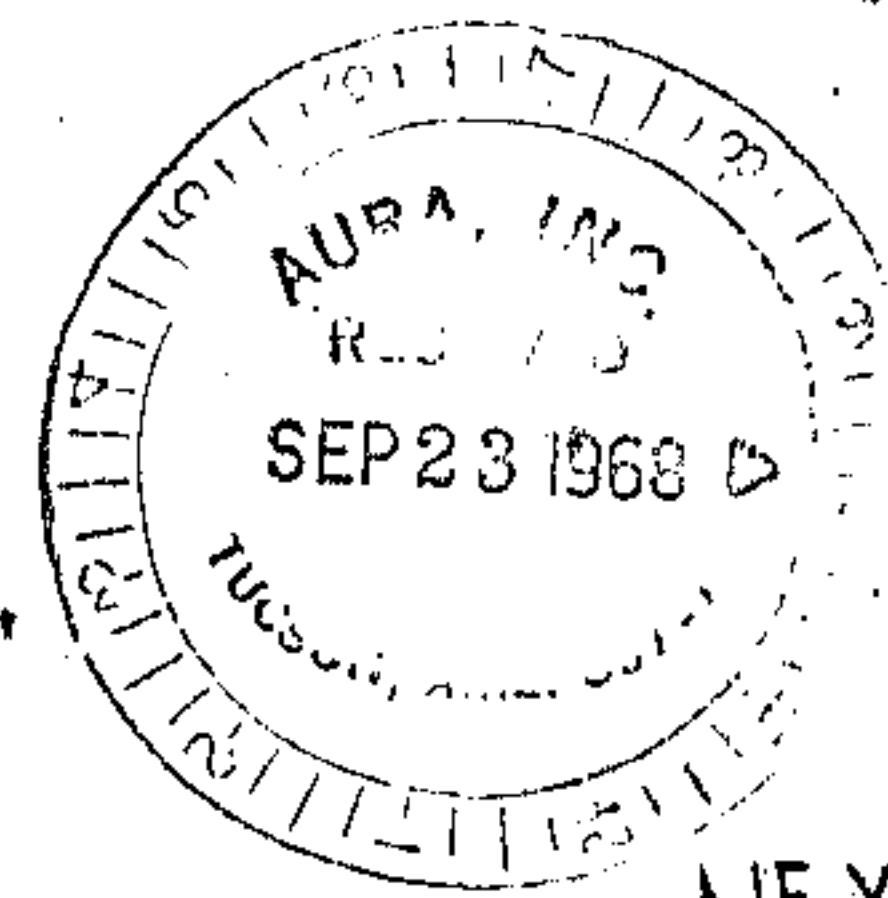
1

REVISIONS				
ZONE	LTR	DESCRIPTION	DATE	APPROVED
M/L	A	PC#1 WAS BAR 1 x 3/4 x 7/8	9/17/68	



MATERIAL LIST				
PC. NO.	QTY	DESCRIPTION	MATL & SPEC	ROUGH WT
1	1	BAR 1 SQ x 7/8	STL AISI C1018	
2	1	DOWEL 1/16 O.D x 7/8	PIC D3-8T5	
3	1	SCREW SET SQ HD 1/2-13 UNC-2A x 2 1/4 LG	COMMERCIAL PART	

NOTES:  
 1 DIMENSIONS ARE IN INCHES.  
 2 TAG WITH PART NO. 2150.240 B04



WESTERN GEAR CORPORATION  
 CONSTRUCTION PROJECTS  
 DEPARTMENT  
 APPROVED FOR  
 PURCHASEMENT

GR DATE SEP 27 1968

REF. FILE 1167

NEXT ASSY: 2150.240E002 (W.G.N 102 993)

LIMITS ON MACHINED DIMENSIONS EXCEPT AS NOTED ANGULAR ± 1° 0' LINEAR X = ± .1 .XX = ± .03 .XXX = ± .010 FRACTIONAL ± 1/32  BREAK ALL SHARP EDGES	150 IN. STELLAR TELESCOPE MTG	<b>WESTERN GEAR CORPORATION</b> HEAVY MACHINERY DIVISION EVERETT, WASHINGTON	
	DRAWN R. ORR CHECK E. NIEVES ENGR	MANUAL BRAKE ASSY CASSEGRAIN RAMP ASSY	
APPROVED	W.G.C 112516	SIZE B CODE IDENT NO. 16603	2150.240B034 REV A
		SCALE 1/1	WT. LB SHEET 1 OF 1