

5

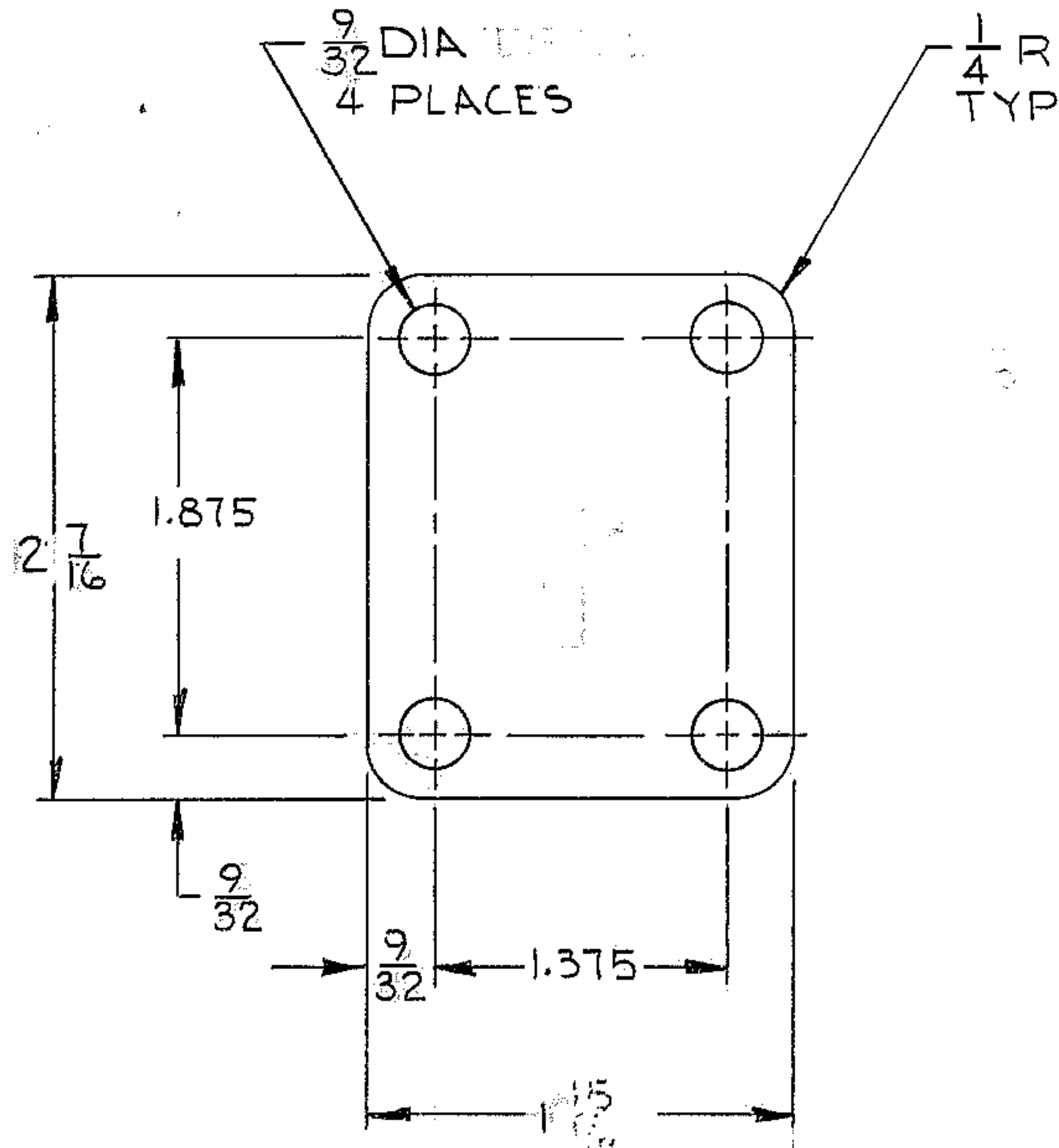
4

3

2

1

REVISIONS				
ZONE	LTR	DESCRIPTION	DATE	APPROVED
	A	NO REVISIONS	9/17/68	



NOTES:

- 1 DIMENSIONS ARE IN INCHES.
 - 2 MATL:
 - 3 TAG# PART NO. 2150.240B022
 - 3 MATL: BRASS SHIM STOCK, 1 SET CONSISTS OF:
 - 1-.020 THK
 - 3-.005 THK
 - 3-.007 THK
- TOTAL .056 THK

WESTERN GEAR CORPORATION
 CONSTRUCTION PROJECTS
 DEPARTMENT
 APPROVED FOR
 PROCUREMENT

GR DATE SEP 18 1968

REF. FILE 1167

NEXT ASSY: 2150.240E 002 (W.G.N102 993)

LIMITS ON MACHINED DIMENSIONS EXCEPT AS NOTED ANGULAR ± 1° 0' LINEAR .X = ± .1 .XX = ± .03 .XXX = ± .010 FRACTIONAL ± 1/32	150 IN STELLAR TELESCOPE MTG	western GEAR CORPORATION HEAVY MACHINERY DIVISION EVERETT, WASHINGTON	
	DRAWN R. ORR CHECK E. NIEVES ENGR	SHIM, GEAR DRIVE CASSEGRAIN RAMP ASSY	
W.G. C112517	APPROVED	SIZE B	CODE IDENT NO. 16603
		2150.240B022	REV A
BREAK ALL SHARP EDGES	SCALE 1/1	WT.	LB SHEET 1 OF 1