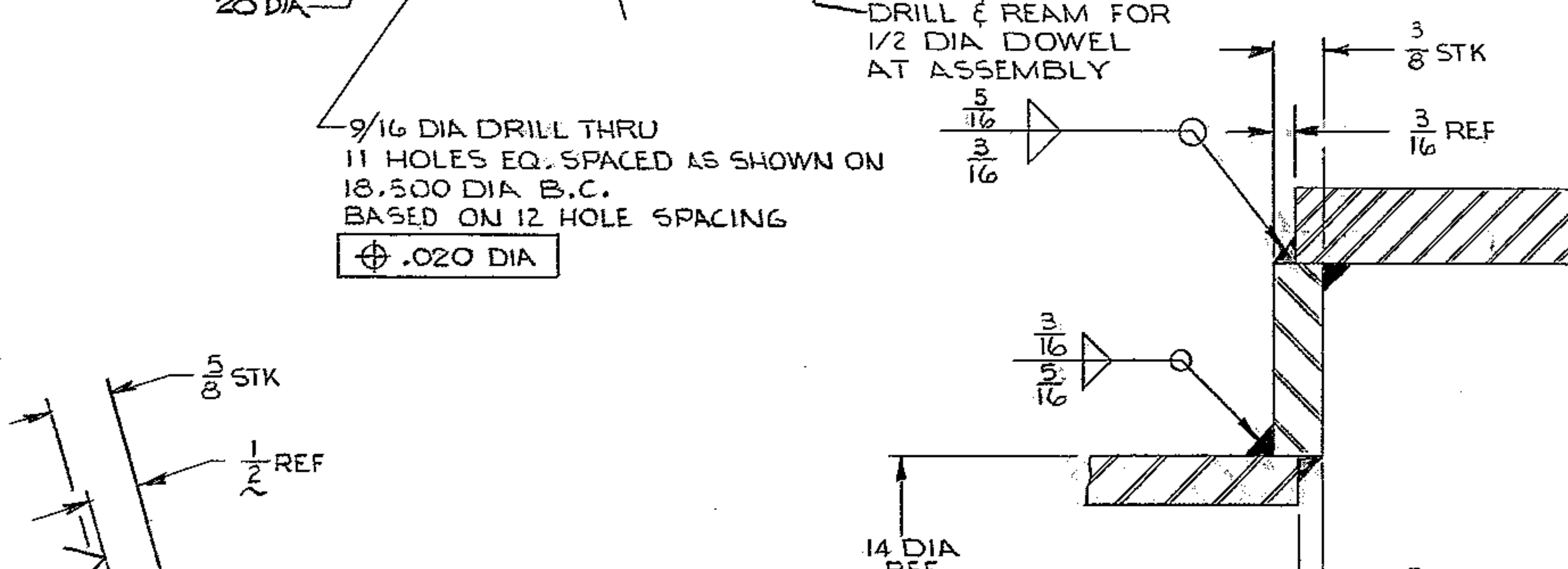
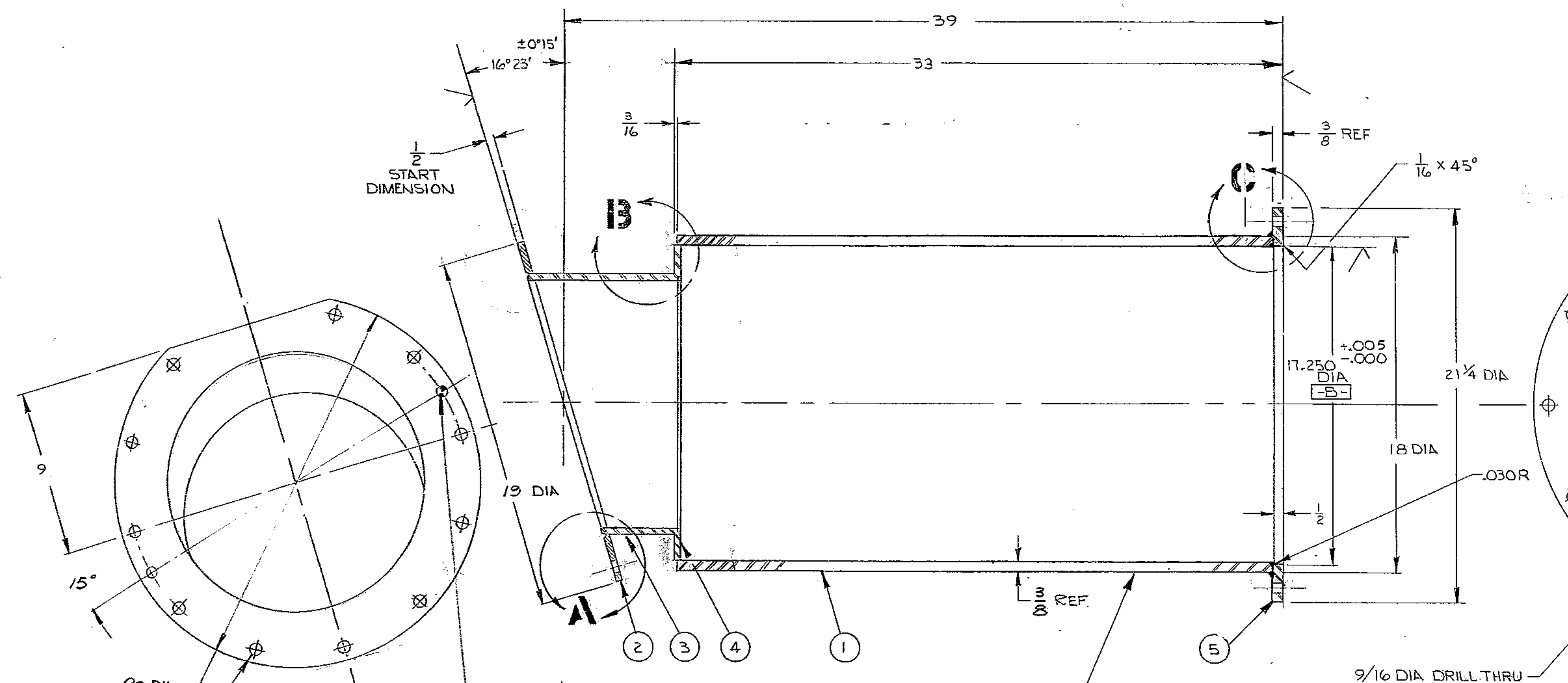
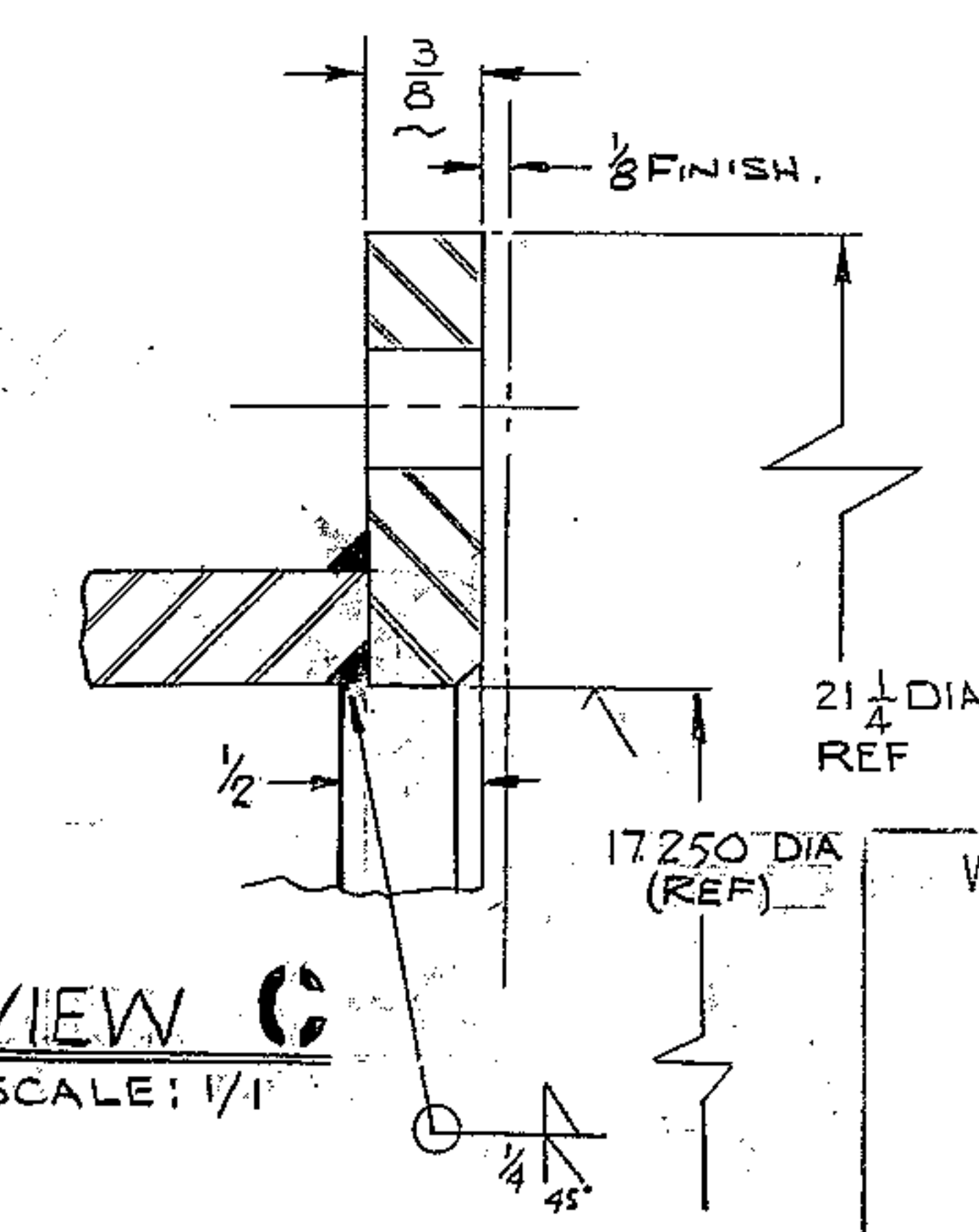


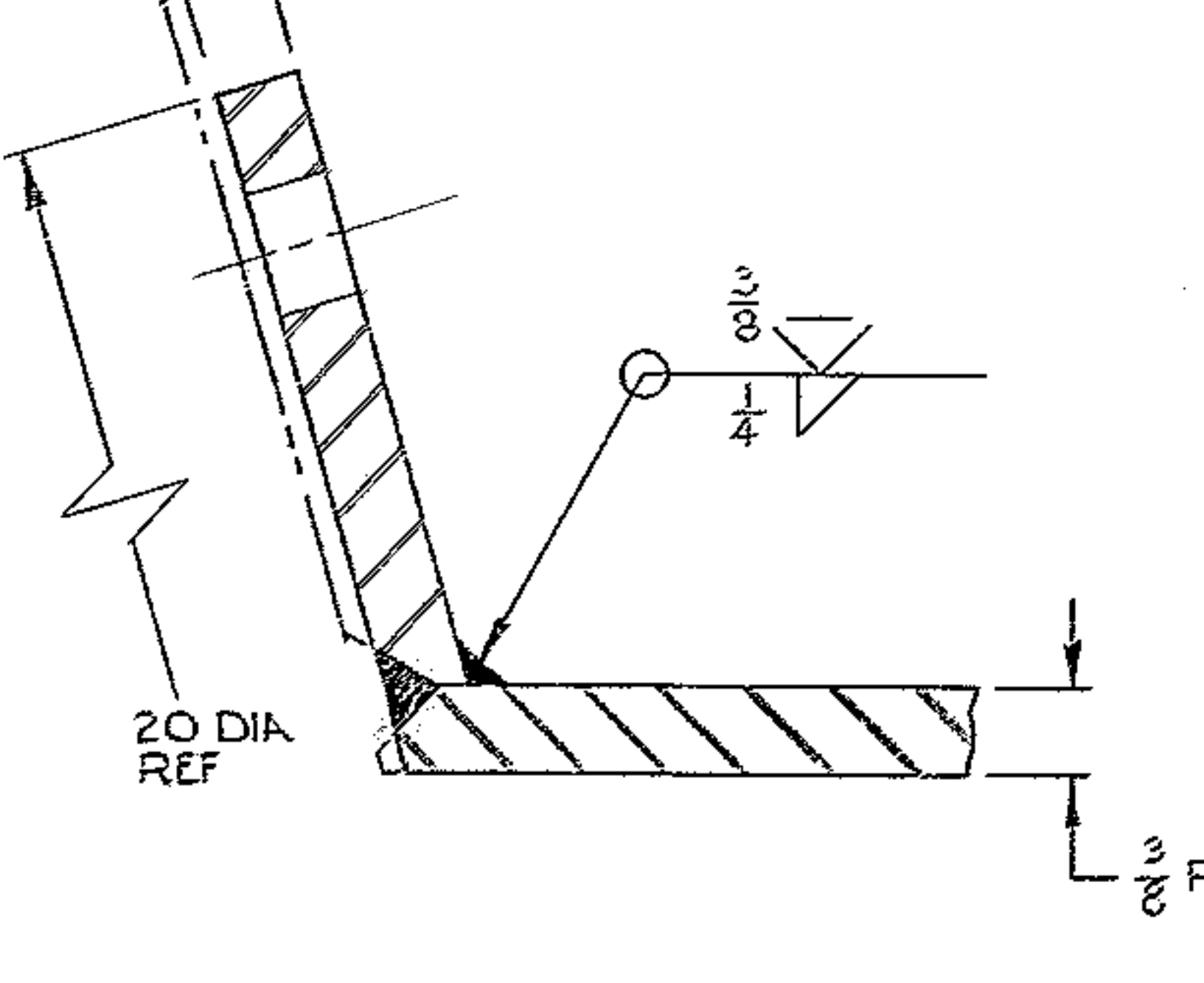
REVISIONS				
ZONE	LTR	DESCRIPTION	DATE	APPROVED
	A	APPROVED PER AURA APPROVED PRINT	8-14-68	
4D	B	17.250 ±.005 WAS 17.250 ±.002 P.C.#1	8-30-68	
B2		PIPE 18 O.D x 3/8 x 32 7/16 WAS 18 O.D x 3/16 x 33		
		P.C.#4, R 17 1/4 DIA WAS R 16 1/8 DIA, P.C.#5		
		R 21 1/4 DIA x 17.1 D x 1/2 WAS R 21 1/4 DIA x 18 D x 1/2		
4A	C	1/2 STK DELETED 1/8 FINISH ADDED	10-7-68	
4A	C	17.250 DIA REF WAS 17 DIA STK		



VIEW B
SCALE: 1/1



VIEW C
SCALE: 1/1



VIEW A
SCALE: 1/1
ROTATED 180° C.W.

MATERIAL LIST				
P.C. NO.	QTY	DESCRIPTION	MAT'L & SPEC	ROUGH WT
1	1	PIPE 18 O.D x 3/8 W x 32 7/16	STL WELDED PIPE OR EQUIV	288
2	1	R 20 DIA x 3/8 WITH ELLIPTICAL HOLE AS SHOWN	STL ASTM - A 36	36
3	1	PIPE 14 O.D x 3/8 W x 8 1/2	STL WELDED PIPE OR EQUIV	38
4	1	R 17 1/4 DIA x 14.1 D x 3/8 THK	STL ASTM - A 36	7
5	1	R 21 1/4 DIA x 17.1 D x 1/2 THK	STL ASTM - A 36	14

TOTAL ROUGH WT = 383

- NOTES:
- ALL DIMENSIONS ARE IN INCHES.
 - FABRICATION TOLERANCE, EXCEPT AS NOTED
UP TO 10 INCHES ± 1/16
10 TO 50 INCHES ± 1/8
50 INCHES AND OVER ± 1/4
 - WELD PER W.G.C. SPEC T52, APP T1
 - STRESS RELIEVE AFTER WELDING & BEFORE MACHINING PER W.G.C SPEC 510
 - APPLY ONE (1) COAT PRIME PAINT PER W.G.C. SPEC 511 IMMEDIATELY AFTER STRESS RELIEF AND CLEANING.
 - UNLESS OTHERWISE NOTED ALL SURFACES MARKED ✓ TO BE 125
 - STAMP PART NO. 2150.210D 006 APPROX WHERE SHOWN.

WESTERN GEAR CORPORATION
CONSTRUCTION PROJECTS
DEPARTMENT
APPROVED FOR
PROCUREMENT
DATE 8-14-68

NEXT ASSY: 2150.210E 002 (W.G. N102833)

FIND NO.	PART NO.	DESCRIPTION	QTY	MATERIAL	CODE IDENT
LIST OF MATERIAL (LM)					
LIMITS ON MACHINED DIMENSIONS EXCEPT AS NOTED ANGULAR = ± 1° 0' LINEAR: X = ± .1 .XXX = ± .010 .XX = ± .03 FRACTIONAL = ± 1/32		150 IN. STELLAR TELESCOPE MTG			
DRAWN R. ORR		FEB 68	WESTERN GEAR CORPORATION HEAVY MACHINERY DIVISION EVERETT, WASHINGTON		
CHECK GENE RUSSO		11/22/68	TUBE, MOUNT - POLAR AXLE ASSEMBLY		
BREAK ALL SHARP EDGES		ENGR			
MATERIAL					
SEE MAT'L LIST					
APPROVED		W.G.E 107627	SIZE	CODE IDENT NO.	REV
			D	16603	2150.210D006 C
			SCALE 1/4" NOTED	WT 370	LB SHEET / OF /