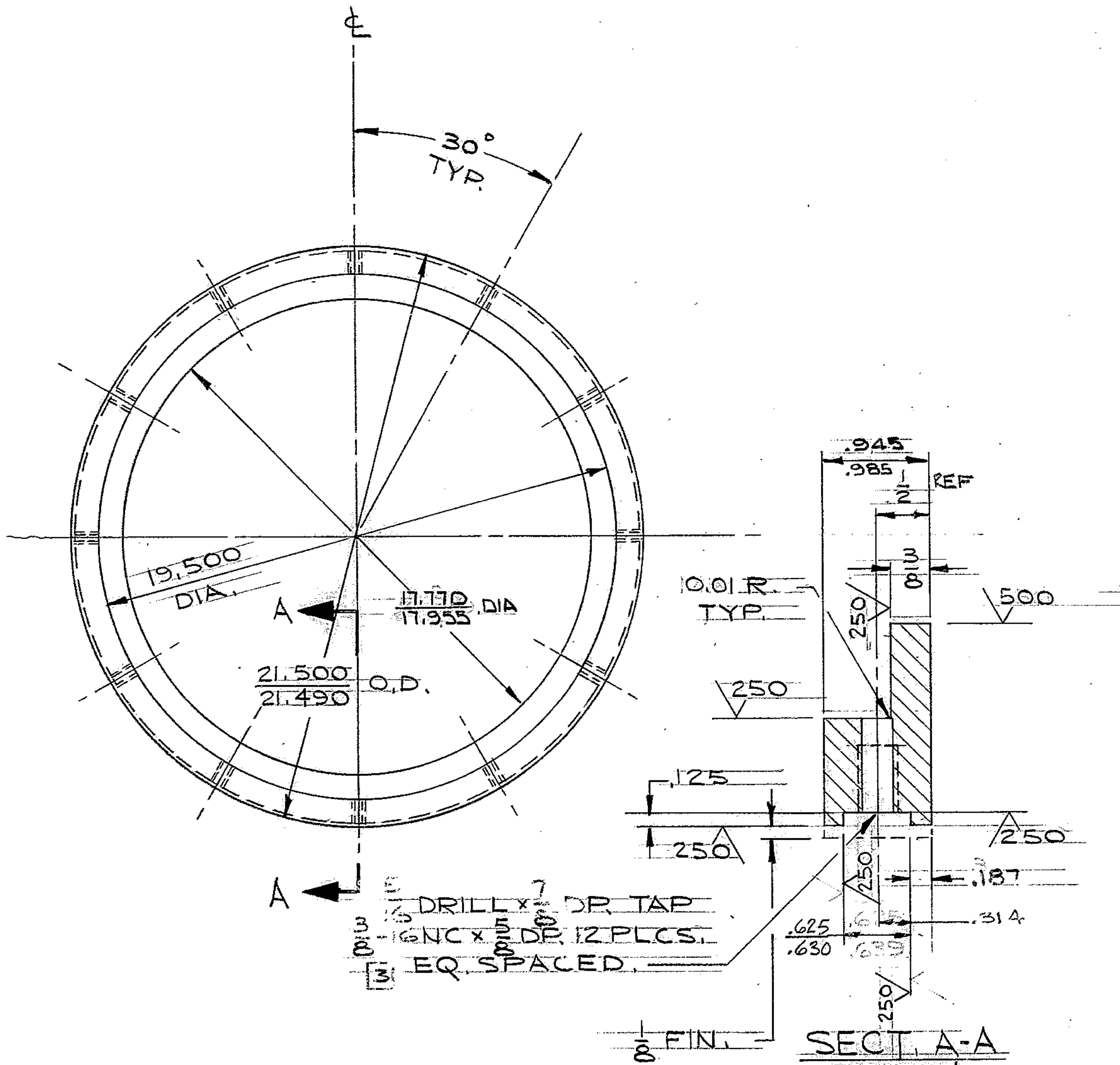


REVISIONS				
ZONE	LTR	DESCRIPTION	DATE	APPROVED
	A	REVISED PER ADRA APPD PRINT	21 Oct 69	
	B	17.770/17.955 WAS 17 3/4 1945/1985 WAS 1	3/20/10	LDS



- NOTES:**
1. TAG PART WITH DWG. NO. 2150.210C124
 2. COORDINATE WITH P/N 2150.210D110 WGE-107,623 & 2150.210D115 WGE-107,632
 3. MATCH DRILL WITH P/N 2150.210D110 (WGE-107,623) @ ASSY. (SEE NOTE 3 (b) ON DWG 2150.210 D115 (WGE-107,632).

REF. FILE 1165

NEXT ASS'Y 2150.210D115 (WGE-107,632)

WESTERN GEAR CORPORATION
 CONSTRUCTION PROJECTS
 DEPARTMENT
 APPROVED FOR
 PROCUREMENT
 GR DATE 10/25/69

FIND NO.	PART NO.	DESCRIPTION	QTY	MATERIAL	CODE IDENT
LIST OF MATERIAL (LM)					
LIMITS ON MACHINED DIMENSIONS EXCEPT AS NOTED ANGULAR = ± 1° 0'		150 ^{IN} STELLAR TELESCOPE MTG.		WESTERN GEAR CORPORATION HEAVY MACHINERY DIVISION EVERETT, WASHINGTON	
LINEAR: X = ± .1 .XXX = ± .010 .XX = ± .03 FRACTIONAL = ± 1/32		DRAWN McGHEE 4-7-69		CABLE BRACKET P.A. CABLE WRAP UP	
BREAK ALL SHARP EDGES		ENGR <i>Edgingans</i> 4/18/79			
MATERIAL 2 1/4" O.D., BURN SMOOTH 1 3/4" I.D. X 1" THK. STL. P. ASTM-A7 OR EQ.		WGD-107,559		SIZE C 16603	CODE IDENT NO. 2150.210C124
		APPROVED		WT 24	REV B
				SCALE 1/4	LB SHEET 1 OF 1