

5

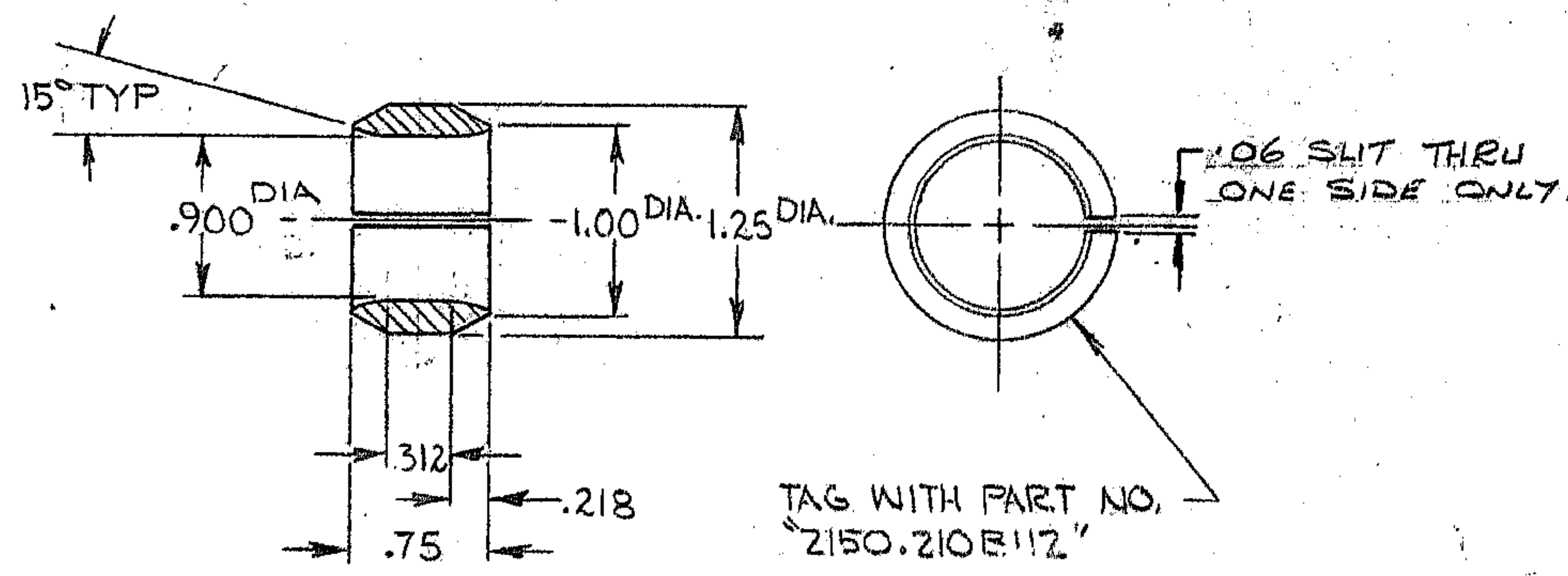
4

3

2

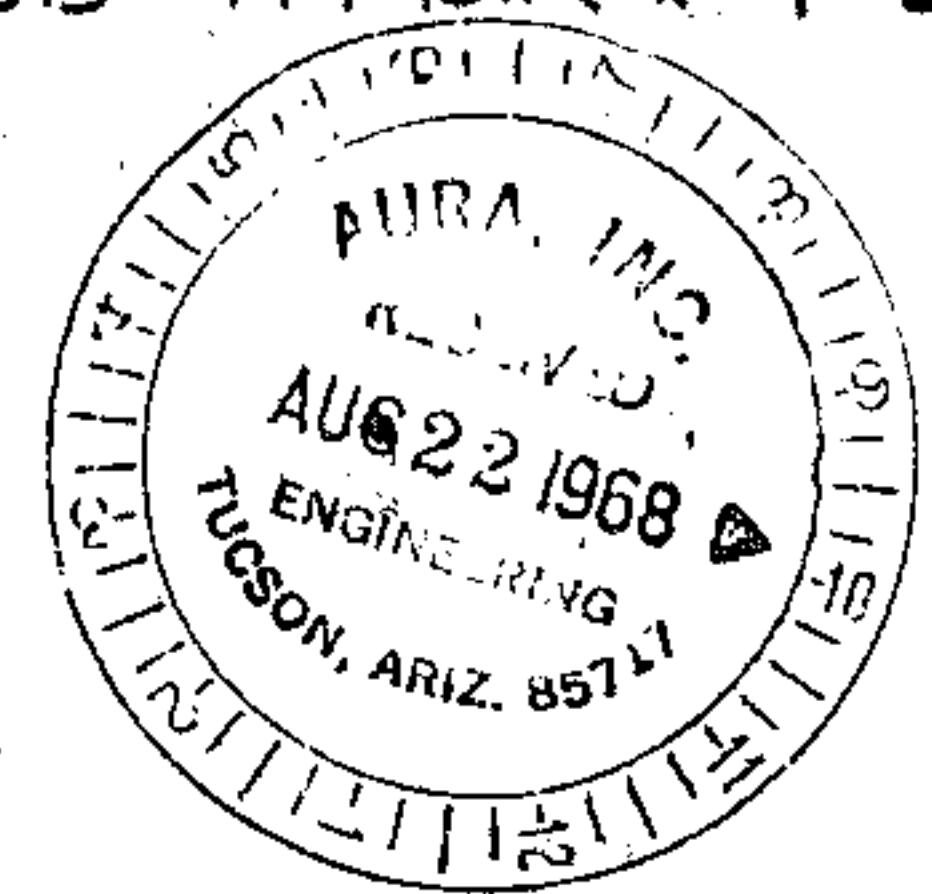
1

REVISIONS				
ZONE	LTR	DESCRIPTION	DATE	APPROVED
A		DESIGNED PER AURA AT/ND PRINT	8-14-68	



NOTES:

1. ALL DIMENSIONS ARE IN INCHES
2. MATERIAL- NYLON ROD 1/4 DIA x 1 LG



REF. FILE 1165

NEXT ASSY. 2150.210E102 (WGN102959).

WESTERN GEAR CORPORATION
 CONSTRUCTION PROJECTS
 DEPARTMENT
 APPROVED FOR
 PROCUREMENT
 DATE 8-14-68

LIMITS ON MACHINED DIMENSIONS EXCEPT AS NOTED ANGULAR ± 1° 0' LINEAR X = ± .1 XX = ± .03 XXX = ± .010 FRACTIONAL ± 1/32 BREAK ALL SHARP EDGES	150" STELLER TELESCOPE MOUNTING	Western GEAR CORPORATION HEAVY MACHINERY DIVISION EVERETT, WASHINGTON		
	DRAWN G. COSTA CHECK <i>G. Costa</i> 8-26-68 ENGR	INSERT RECEPTACLE P.A. CABLE WRAP-UP		
WGC112389 APPROVED	SIZE B	CODE IDENT NO. 16603	2150.210E112	REV A
SCALE 1/1	WT.	LB	SHEET 1	OF 1