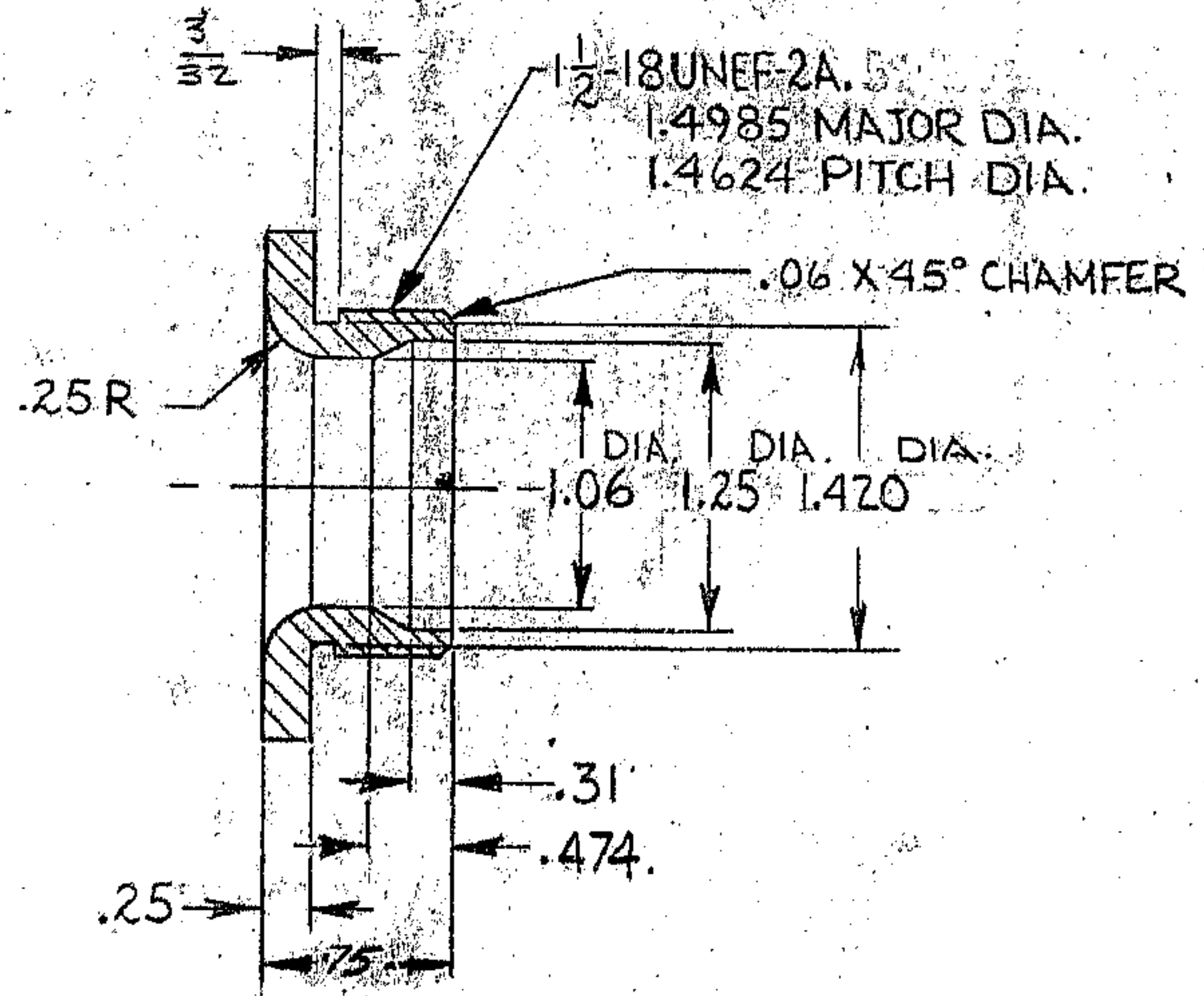
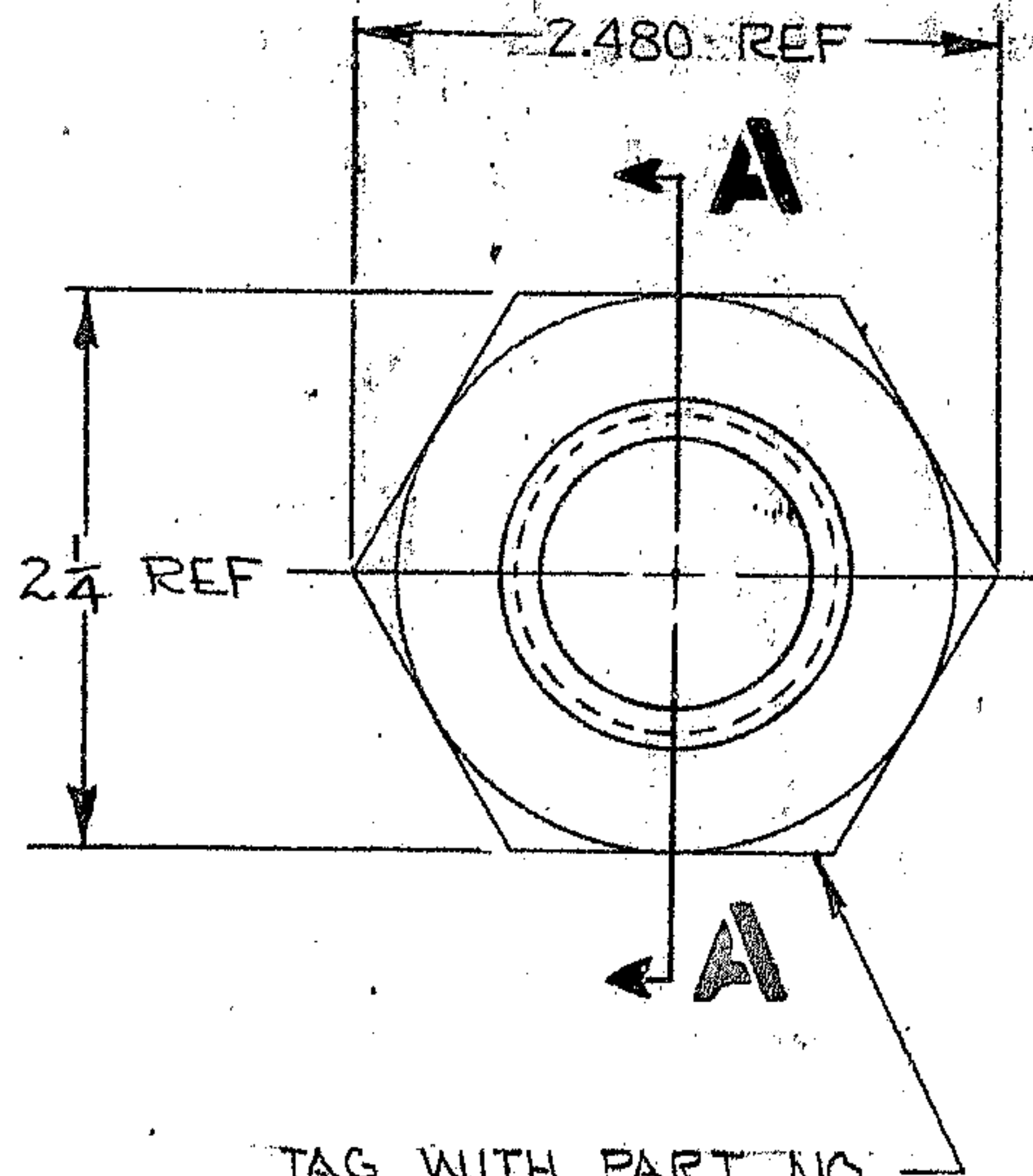


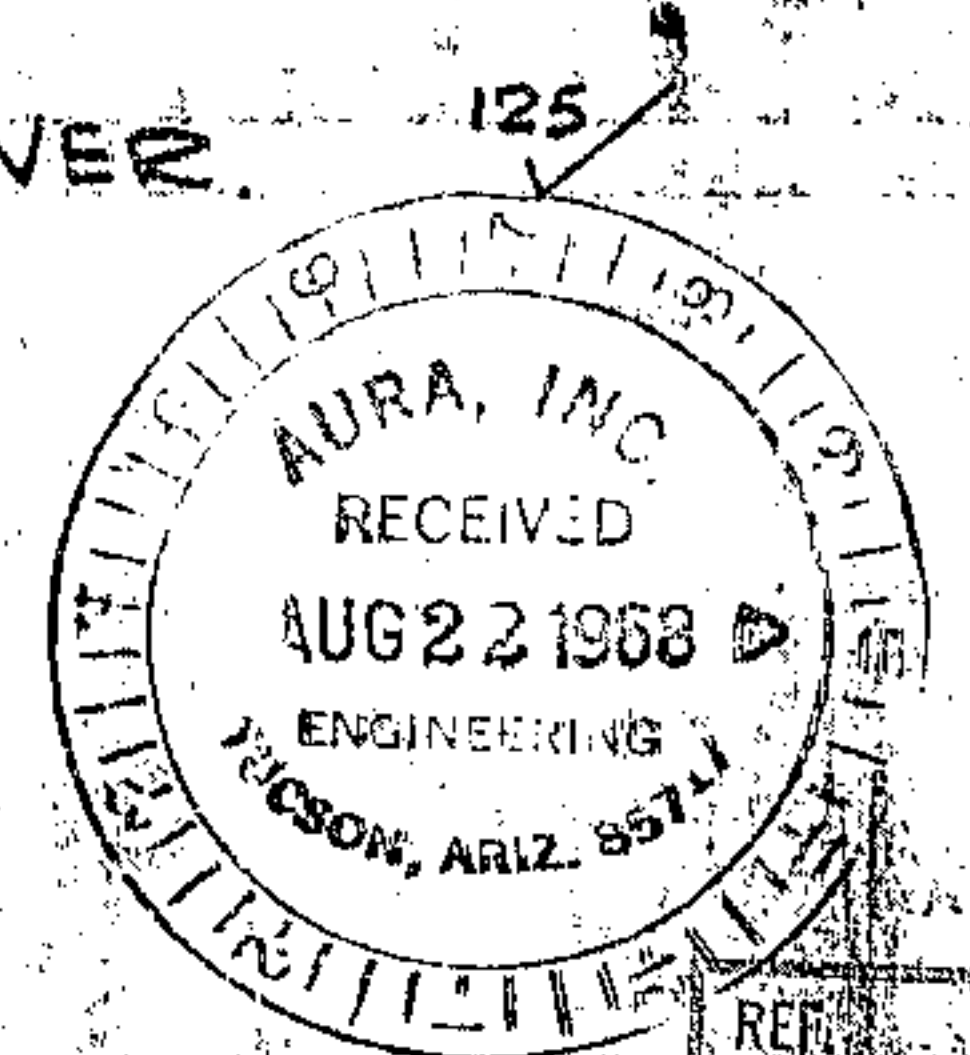
REVISIONS				
ZONE	LTR	DESCRIPTION	DATE	APPROVED
	A	REVISED PER AURA APPROV PRINT	8-14-68	



- NOTES:
1. ALL DIMENSIONS ARE IN INCHES
  2. MATERIAL - HEX BAR 2 1/4 x 1 LG. AISI C-1018
  3. CAD PLATE .0005 THICK
  4. MACHINED ALL OVER.

TAG WITH PART NO.  
"2150.210B111"

SECTION A-A



WESTERN GEAR CORPORATION  
CONSTRUCTION PROJECTS  
DEPARTMENT  
APPROVED FOR  
PROCUREMENT  
DATE 8-14-68

NEXT ASSY 2150.210E102 (WGN102959)

LIMITS ON MACHINED DIMENSIONS EXCEPT AS NOTED ANGULAR ± 1° 0' LINEAR X = ± .1 XX = ± .03 XXX = ± .010 FRACTIONAL ± 1/32 BREAK ALL SHARP EDGES	150 IN STELLER TELESCOPE MOUNTING	western HEAVY MACHINERY DIVISION EVERETT, WASHINGTON		
	DRAWN G COSTA CHECK <i>G. Costa</i> 3-26-68 ENGR	CABLE RECEPTACLE P.A. CABLE WRAP-UP		
APPROVED	WG0112388	SIZE B	CODE IDENT NO. 16603	2150.210B111
		SCALE 1/1	WT. 1/4 LB	SHEET 1 OF 1