

5

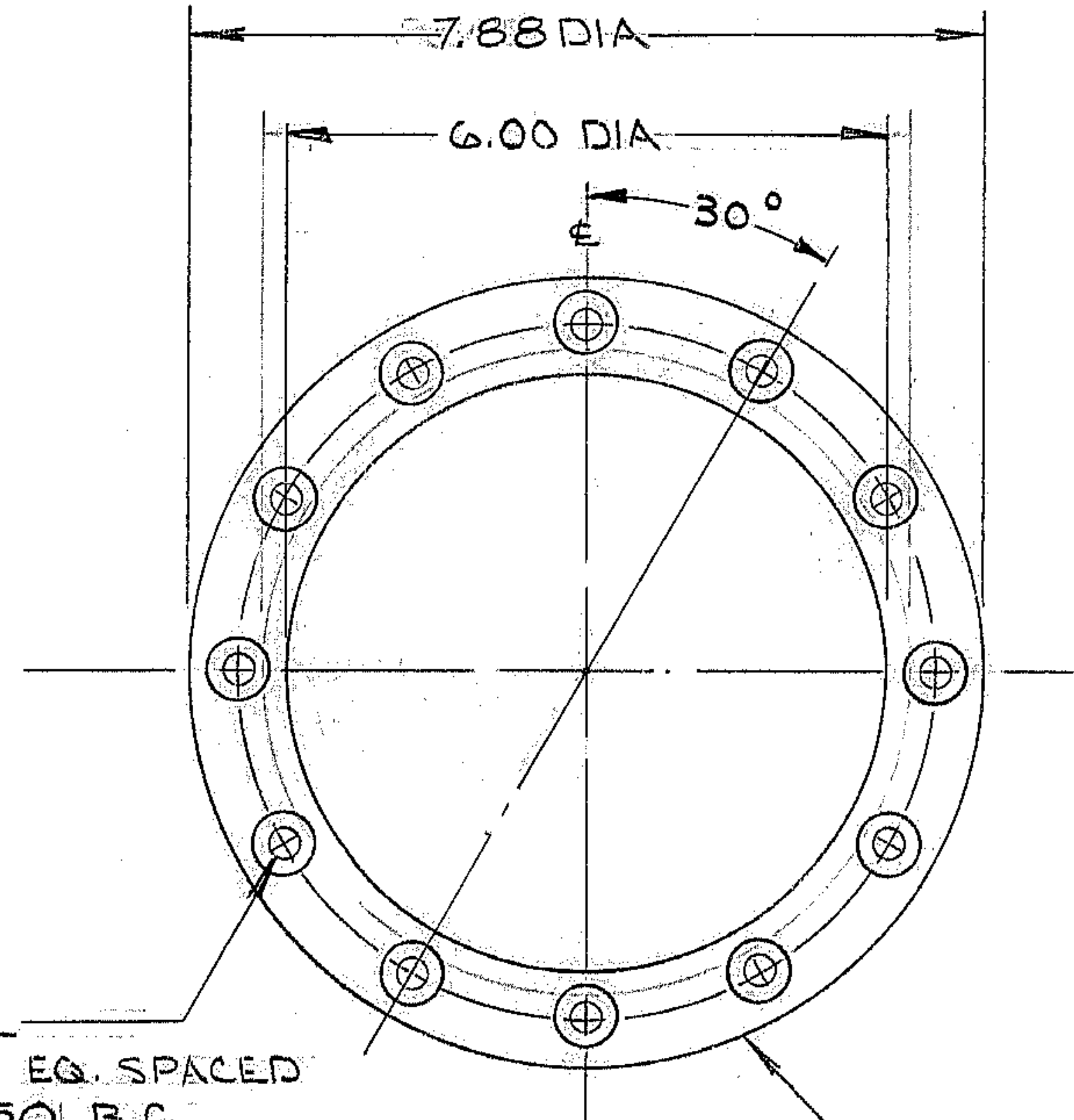
4

3

2

1

REVISIONS				
ZONE	LTR	DESCRIPTION	DATE	APPROVED
	A	REVISED PER AURA APP'D PRINT	8-14-68	
	B	ADDED 82° C'SK TO HOLES	4-7-69	<i>[Signature]</i>
	"	PART WAS 1/8 THICK	4-7-69	<i>[Signature]</i>
	C	REVISED PER AURA APP'D PRINT	150469	



5/16 DRILL
12 PLACES EQ. SPACED
ON A 6.750 B.C.

⊕ .020 DIA. 82° C'SK TO 17/32 DIA.
12 HOLES

TAG WITH PART NO.
"2150.210B109"

NOTES:
1. ALL DIMENSIONS ARE IN INCHES
2. MATL = STL - ASTM A-7 OR EQUIV.

REF. FILE 1165

WESTERN GEAR CORPORATION
CONSTRUCTION PROJECTS
DEPARTMENT
APPROVED FOR
PROCUREMENT
G.R. 10/23/69 DATE 8-14-68

NEXT ASSY 2150.210E102 (WGN102959)

LIMITS ON MACHINED DIMENSIONS EXCEPT AS NOTED ANGULAR ± 1° 0' LINEAR, .X = ± .1 .XX = ± .03 .XXX = ± .010 FRACTIONAL ± 1/32 BREAK ALL SHARP EDGES	150" STELLER TELESCOPE MOUNTING	western GEAR CORPORATION HEAVY MACHINERY DIVISION EVERETT, WASHINGTON	
	DRAWN FLAVIN 2-24-68 CHECK <i>[Signature]</i> 3-26-68 ENGR	BEARING RETAINER P.A. CABLE WRAP-UP	
APPROVED	WGCI12377	SIZE B	CODE IDENT NO. 16603
		SCALE 1/2 = 1	WT. 1.1 LB SHEET 1 OF 1
			2150.210B109
			REV C