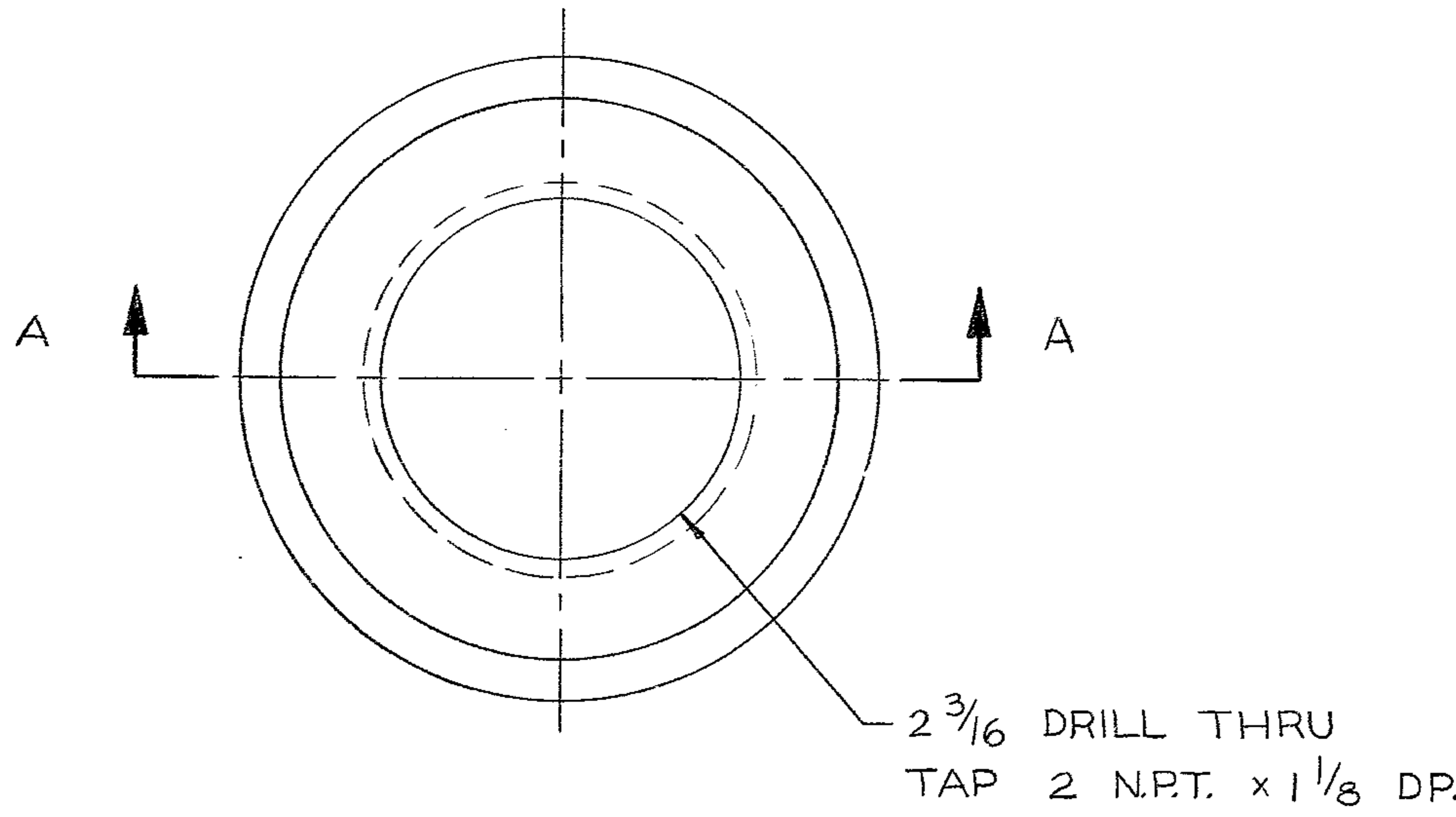
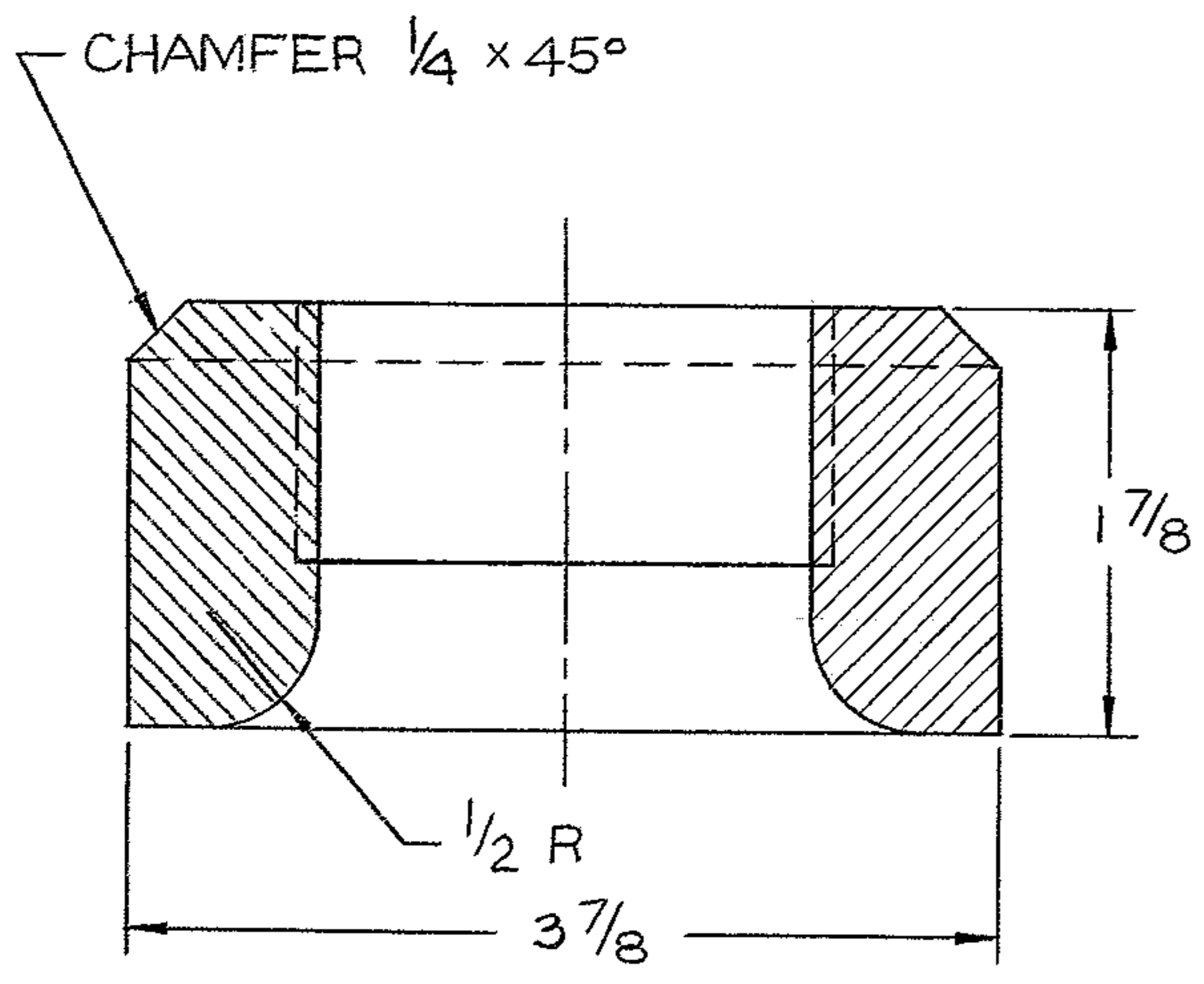


REVISIONS				
ZONE	LTR	DESCRIPTION	DATE	APPROVED
	A	REVISED PER AURA REV. DATED 4-3-69	5-16-69	



NOTES:
1. SURFACE FINISH 500 ✓



SECTION A-A

NEXT ASSY: 2150.202D103 (W.G. E-107,732)
& 2150.202D104 (W.G. E-107,736)

REP. FILE 1164

FIND NO.	PART NO.	DESCRIPTION	QTY	MATERIAL	CODE IDENT
LIST OF MATERIAL (LM)					
LIMITS ON MACHINED DIMENSIONS EXCEPT AS NOTED ANGULAR = $\pm 1^\circ 0'$ LINEAR: X = $\pm .1$.XXX = $\pm .010$.XX = $\pm .03$ FRACTIONAL = $\pm 1/32$		150 IN. STELLAR TELESCOPE MOUNTING		Western GEAR CORPORATION	HEAVY MACHINERY DIVISION EVERETT, WASHINGTON
MATERIAL STL. AISI 1018 4 DIA. x 1 ⁷ / ₈ LG.		DRAWN L. BROWN 5-16-69 CHECK ENGR <i>L. Brown</i> 5/19/69		PLUG SERRURIER TRUSS ASSY.	
APPROVED		W.G. D-108,743	SIZE	CODE IDENT NO.	REV
			C	16603	2150.202C110 A
SCALE FULL			WT	LB	SHEET 1 OF 1

D-108-743