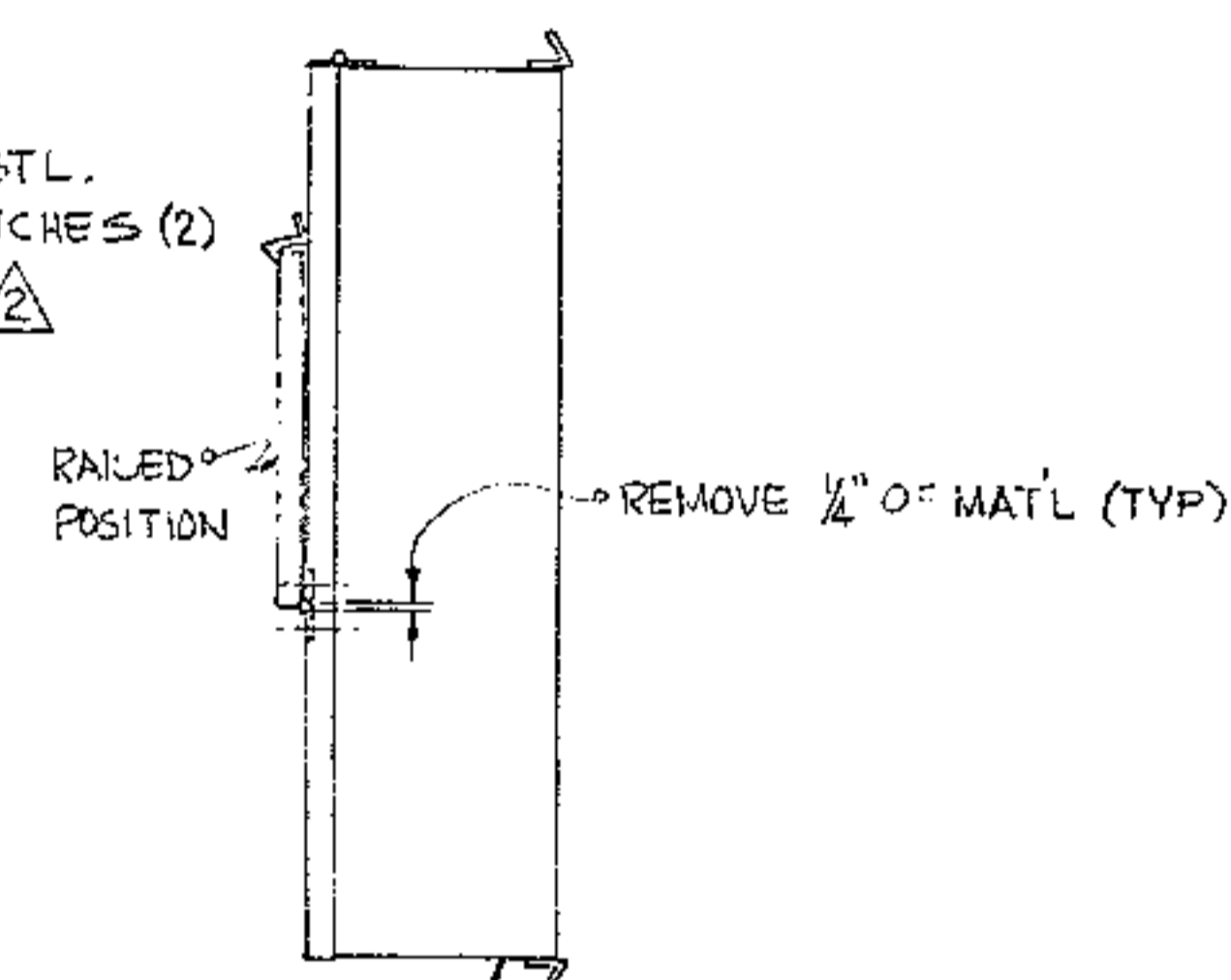
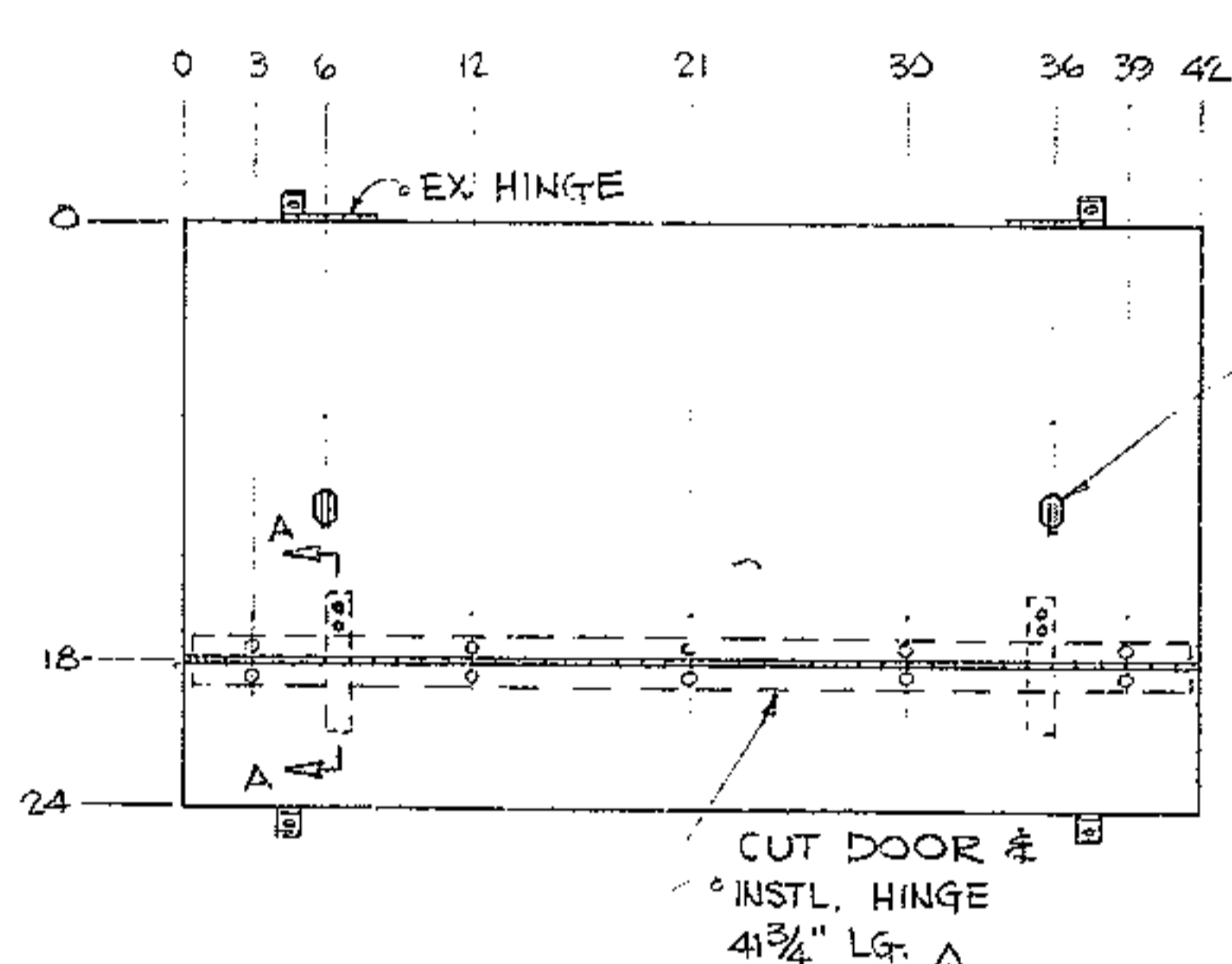


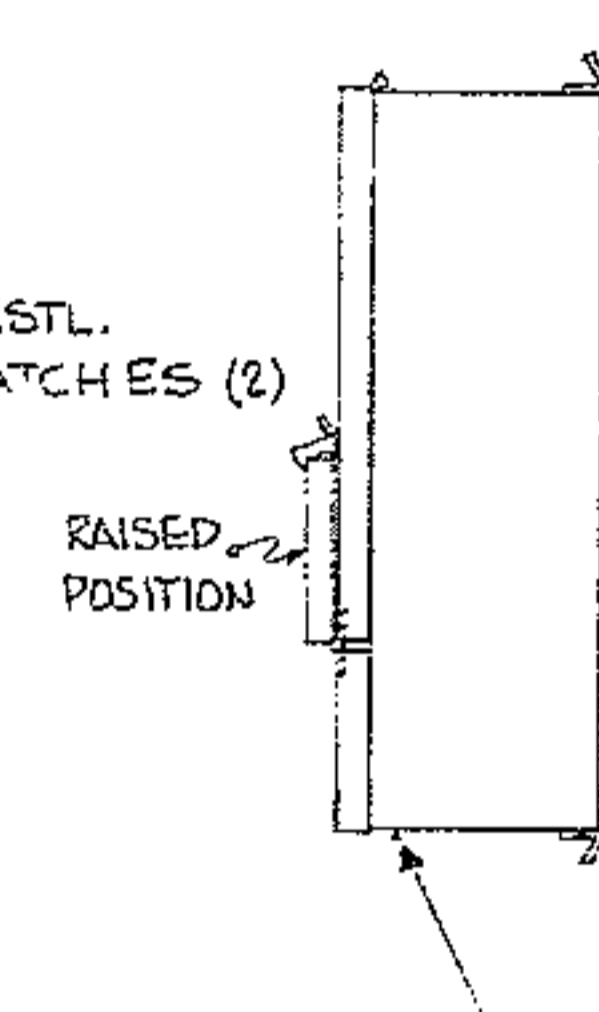
1GEJB1



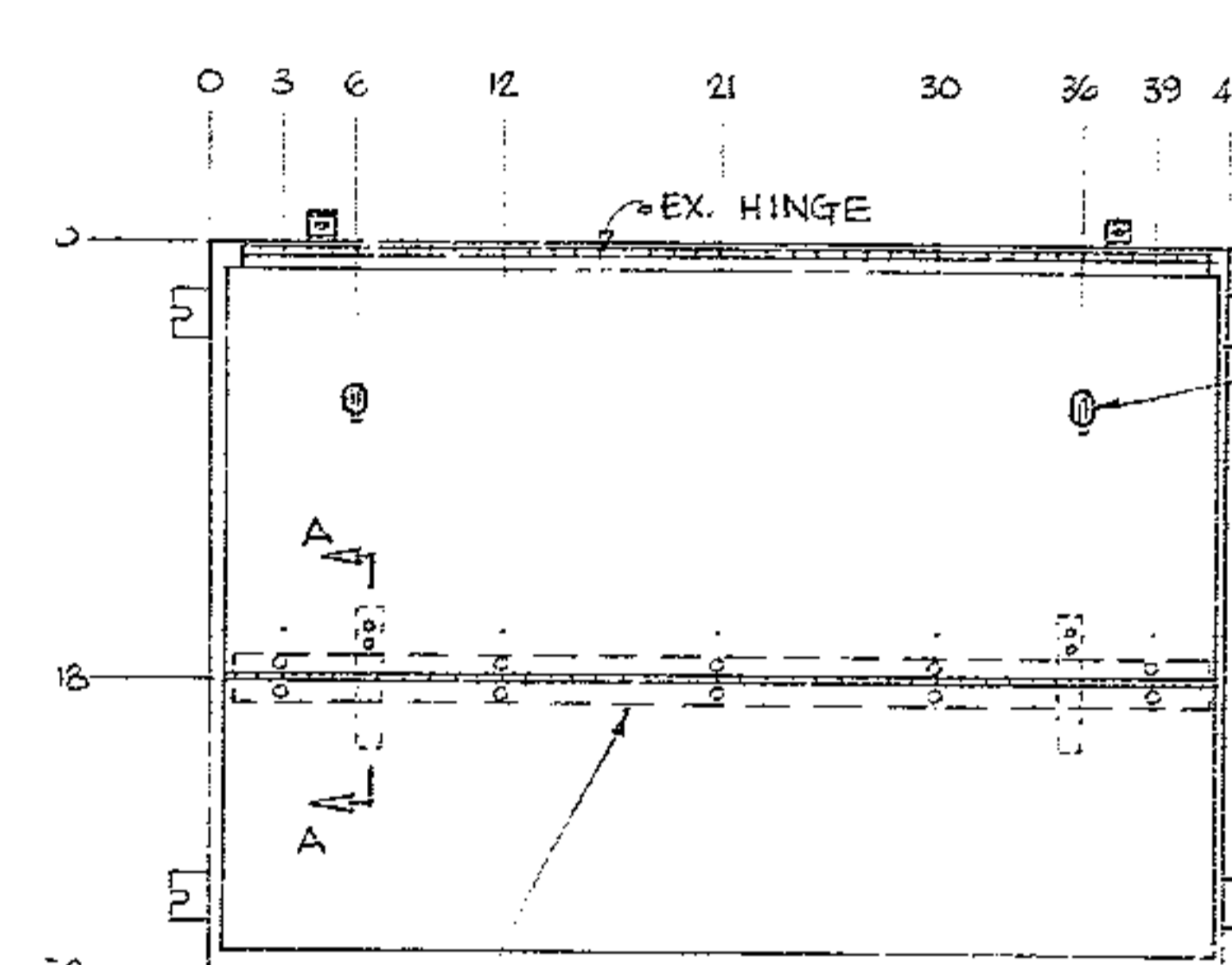
ENCLOSURE BOX & COVER
REF. B/M NO. 2150.201A002
ITEM NO. 30



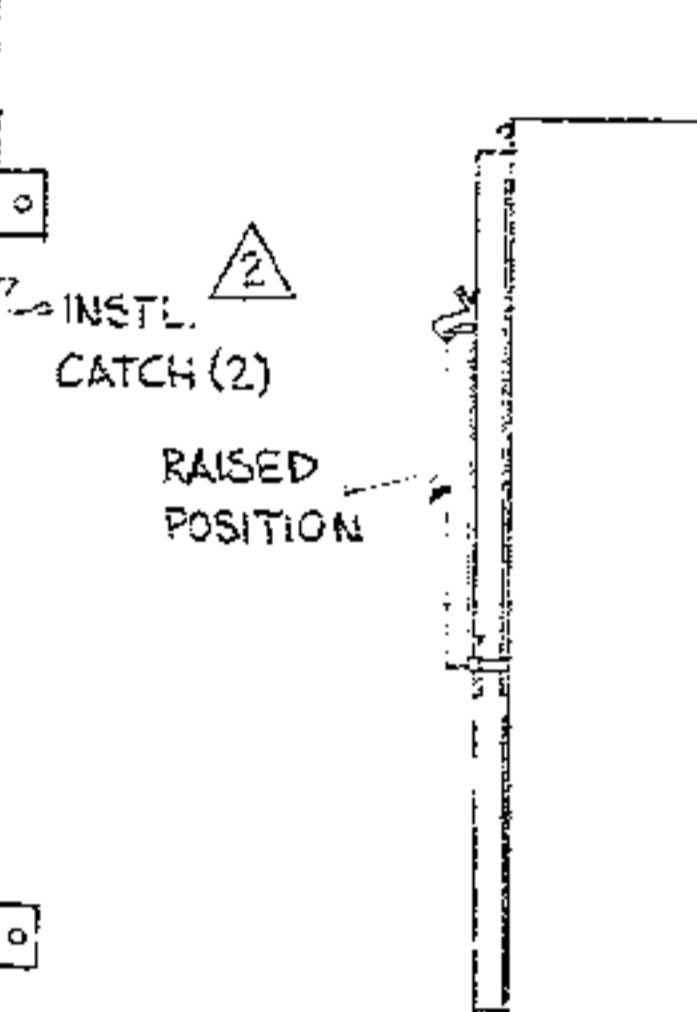
1GEJB2



ENCLOSURE BOX & COVER
REF. B/M NO. 2150.201A002
ITEM NO. 31



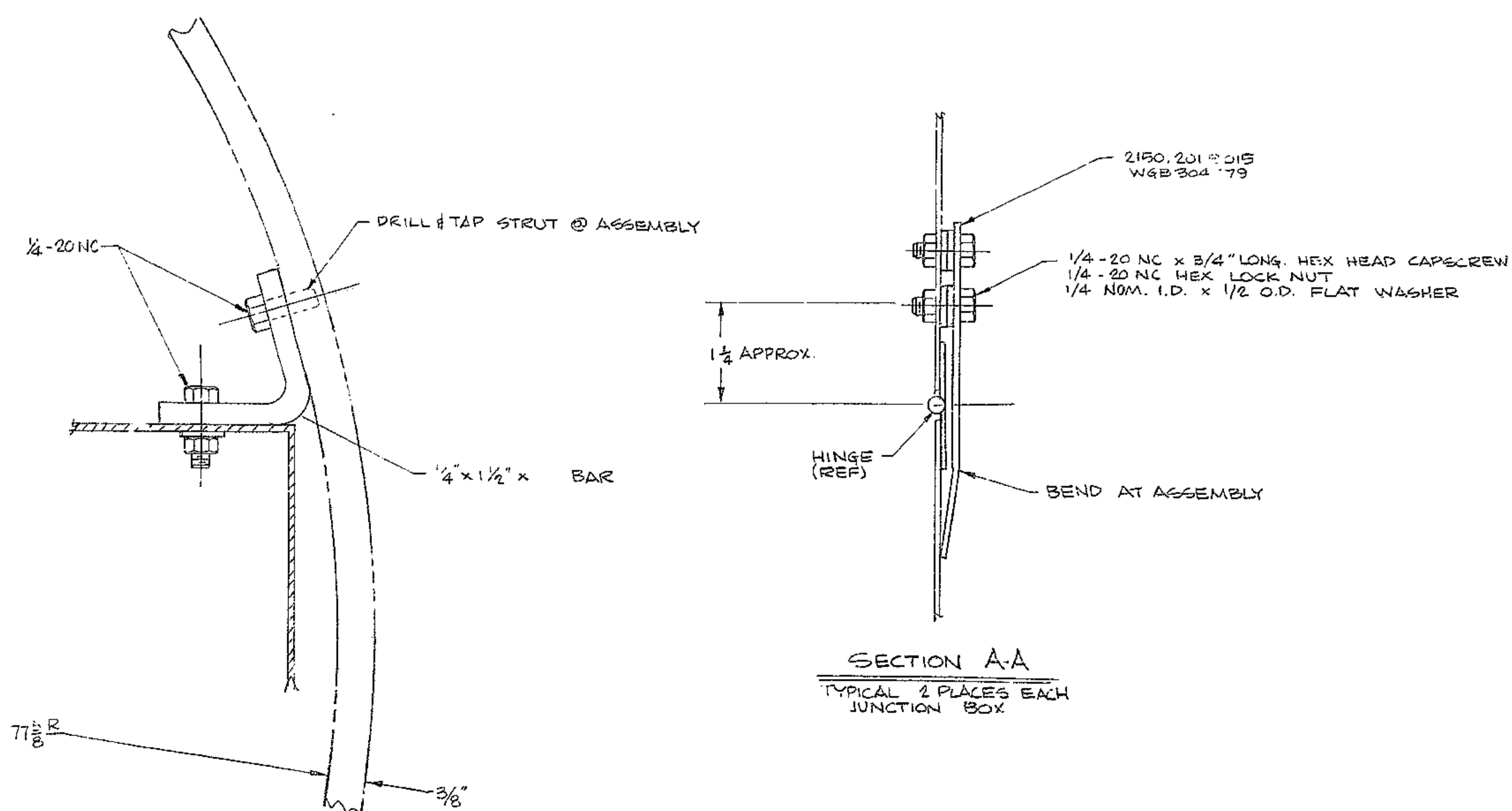
1GEJB3



ENCLOSURE BOX & COVER
REF. B/M NO. 2150.201A002
ITEM NO. 32

MODIFICATION INSTRUCTIONS

1. INSTL. HINGES AS SHOWN. HINGES TO BE 1/4 DIA X 2' OPENED WIDTH, STAINLESS STL. FASTEN TO DOOR W/ #10-32 PAN HD. MACH. SCR., #10-32 NUT, & #10 LW.
2. INSTALL & ALIGN CATCHES. STANLEY #36N. SPACE CATCH AS REQ'D TO SECURE DOOR IN RAISED POSITION.
3. FOR TERMINAL STRIP LOCATIONS SEE DWG. 2150.005 E295.



SECTION A-A
TYPICAL 2 PLACES EACH
JUNCTION BOX

TYPICAL BOX MOUNTING
SIMILAR FOR BOXES WEST STRUT

SEE B/M : 2150.201A002 W&B 112361
NEXT ASSY 2150.201E002 W&B 1102907

NO.	DESCRIPTION	BY	DATE
A	REVISED AS BUILT	URCSI	6-21-73
REVISIONS UNITED POWER & CONTROL SYSTEMS, INC. <small>431 North 34th, Seattle, Wash. 98103</small>			
REFERENCE DRAWINGS	DRAWING NO.		
ENGR. A.W.	2150.201E010		
DRAWN JDD	REV. NO. A SH. 1 OF		
CHECKED G.S.	WG E300807		
RECORDED B-28-71	LIPCSI NO 70641-5		
SCALE 1/8"=1"	11		