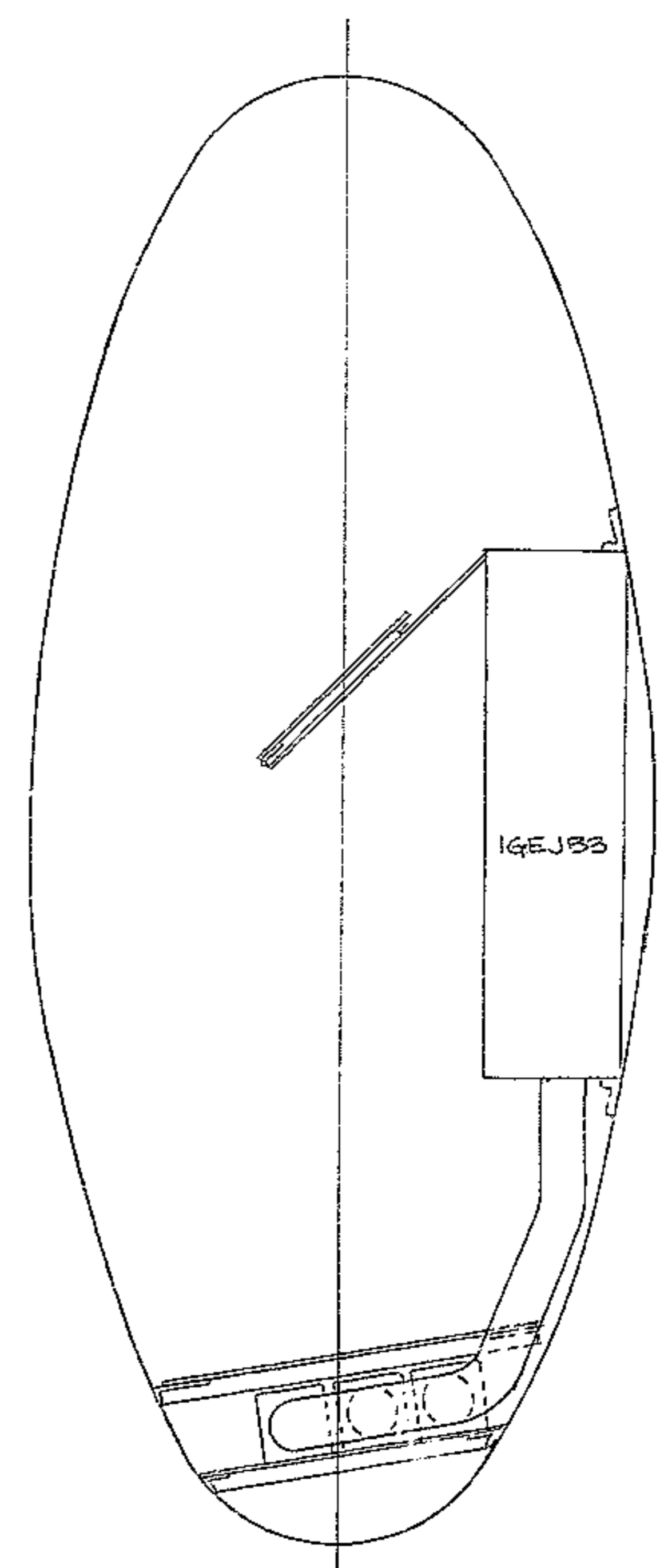
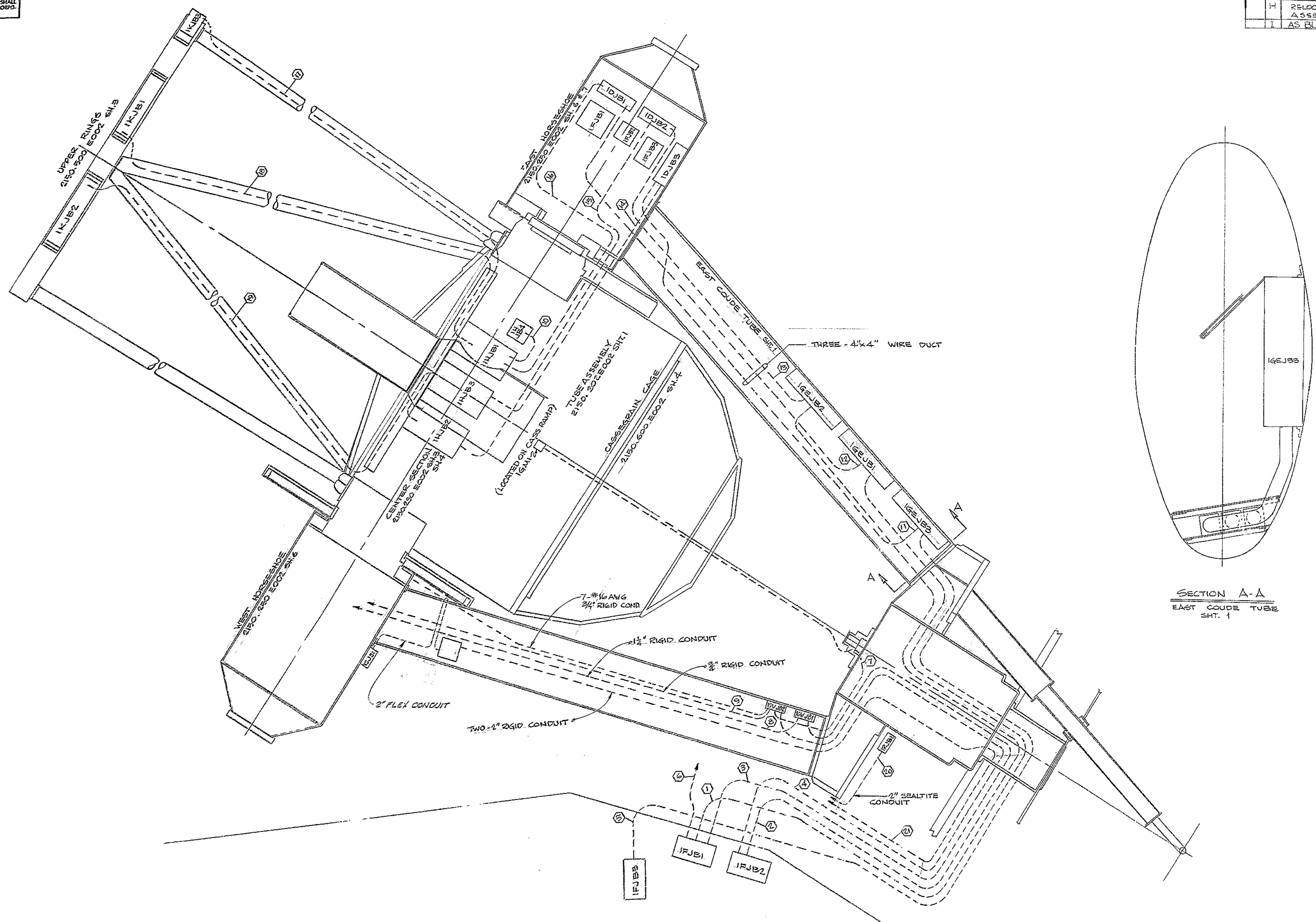


THIS DOCUMENT CONTAINS INFORMATION PROPRIETARY TO WESTERN GEAR CORPORATION. ALL DESIGN, MANUFACTURING, REPRODUCTION, USE, PATENT, AND SALES RIGHTS REGARDING THE SAME ARE HEREBY EXPRESSLY RESERVED BY WESTERN GEAR CORPORATION. THIS DOCUMENT IS SUBMITTED FOR REFERENCE PURPOSES ONLY AND SHALL NOT BE DISCLOSED TO ANY UNAUTHORIZED PERSON OR INCORPORATED INTO ANY OTHER REPORT.

REVISIONS				
ZONE	LTR	DESCRIPTION	DATE	APPROVED
H		RELOCATED 15BJ1 - ADDED TUBE ASSEMBLY 2150.202E002	9-5-73	
I		AS BUILT CORRECTIONS	12/1/73	VR



SECTION A-A
EAST COUDE TUBE
SHT. 1

- EXPLANATIONS
1. 15BJ1 TO 15BJ2, 1-14/16" #14 AWG, 2-9/16" #20 AWG, 1-1/8" #20 AWG.
 - 15BJ2 TO 15BJ3, 1-1/8" #14 AWG, 1-9/16" #9 AWG, 2-1/8" #14 AWG.
 - 15BJ3 TO 15BJ4, 1-1/8" #20 AWG.
 - 15BJ4 TO 15BJ5, 1-1/8" #14 AWG, 1-1/8" #14 AWG.
 - 15BJ5 TO 15BJ6, 1-1/8" #14 AWG, 1-1/8" #14 AWG.
 - 15BJ6 TO 15BJ7, 1-1/8" #14 AWG, 1-1/8" #14 AWG.
 - 15BJ7 TO 15BJ8, 1-1/8" #14 AWG.
 - 15BJ8 TO 15BJ9, 1-1/8" #14 AWG, 1-1/8" #14 AWG.
 - 15BJ9 TO 15BJ10, 1-1/8" #14 AWG, 1-1/8" #14 AWG.
 - 15BJ10 TO 15BJ11, 1-1/8" #14 AWG, 1-1/8" #14 AWG.
 - 15BJ11 TO 15BJ12, 1-1/8" #14 AWG, 1-1/8" #14 AWG.
 - 15BJ12 TO 15BJ13, 1-1/8" #14 AWG, 1-1/8" #14 AWG.
 - 15BJ13 TO 15BJ14, 1-1/8" #14 AWG, 1-1/8" #14 AWG.
 - 15BJ14 TO 15BJ15, 1-1/8" #14 AWG, 1-1/8" #14 AWG.
 - 15BJ15 TO 15BJ16, 1-1/8" #14 AWG, 1-1/8" #14 AWG.
 - 15BJ16 TO 15BJ17, 1-1/8" #14 AWG, 1-1/8" #14 AWG.
 - 15BJ17 TO 15BJ18, 1-1/8" #14 AWG, 1-1/8" #14 AWG.
 - 15BJ18 TO 15BJ19, 1-1/8" #14 AWG, 1-1/8" #14 AWG.
 - 15BJ19 TO 15BJ20, 1-1/8" #14 AWG, 1-1/8" #14 AWG.
 - 15BJ20 TO 15BJ21, 1-1/8" #14 AWG, 1-1/8" #14 AWG.
 - 15BJ21 TO 15BJ22, 1-1/8" #14 AWG, 1-1/8" #14 AWG.
 - 15BJ22 TO 15BJ23, 1-1/8" #14 AWG, 1-1/8" #14 AWG.
 - 15BJ23 TO 15BJ24, 1-1/8" #14 AWG, 1-1/8" #14 AWG.
 - 15BJ24 TO 15BJ25, 1-1/8" #14 AWG, 1-1/8" #14 AWG.
 - 15BJ25 TO 15BJ26, 1-1/8" #14 AWG, 1-1/8" #14 AWG.
 - 15BJ26 TO 15BJ27, 1-1/8" #14 AWG, 1-1/8" #14 AWG.
 - 15BJ27 TO 15BJ28, 1-1/8" #14 AWG, 1-1/8" #14 AWG.
 - 15BJ28 TO 15BJ29, 1-1/8" #14 AWG, 1-1/8" #14 AWG.
 - 15BJ29 TO 15BJ30, 1-1/8" #14 AWG, 1-1/8" #14 AWG.
 - 15BJ30 TO 15BJ31, 1-1/8" #14 AWG, 1-1/8" #14 AWG.
 - 15BJ31 TO 15BJ32, 1-1/8" #14 AWG, 1-1/8" #14 AWG.
 - 15BJ32 TO 15BJ33, 1-1/8" #14 AWG, 1-1/8" #14 AWG.
 - 15BJ33 TO 15BJ34, 1-1/8" #14 AWG, 1-1/8" #14 AWG.
 - 15BJ34 TO 15BJ35, 1-1/8" #14 AWG, 1-1/8" #14 AWG.
 - 15BJ35 TO 15BJ36, 1-1/8" #14 AWG, 1-1/8" #14 AWG.
 - 15BJ36 TO 15BJ37, 1-1/8" #14 AWG, 1-1/8" #14 AWG.
 - 15BJ37 TO 15BJ38, 1-1/8" #14 AWG, 1-1/8" #14 AWG.
 - 15BJ38 TO 15BJ39, 1-1/8" #14 AWG, 1-1/8" #14 AWG.
 - 15BJ39 TO 15BJ40, 1-1/8" #14 AWG, 1-1/8" #14 AWG.
 - 15BJ40 TO 15BJ41, 1-1/8" #14 AWG, 1-1/8" #14 AWG.
 - 15BJ41 TO 15BJ42, 1-1/8" #14 AWG, 1-1/8" #14 AWG.
 - 15BJ42 TO 15BJ43, 1-1/8" #14 AWG, 1-1/8" #14 AWG.
 - 15BJ43 TO 15BJ44, 1-1/8" #14 AWG, 1-1/8" #14 AWG.
 - 15BJ44 TO 15BJ45, 1-1/8" #14 AWG, 1-1/8" #14 AWG.
 - 15BJ45 TO 15BJ46, 1-1/8" #14 AWG, 1-1/8" #14 AWG.
 - 15BJ46 TO 15BJ47, 1-1/8" #14 AWG, 1-1/8" #14 AWG.
 - 15BJ47 TO 15BJ48, 1-1/8" #14 AWG, 1-1/8" #14 AWG.
 - 15BJ48 TO 15BJ49, 1-1/8" #14 AWG, 1-1/8" #14 AWG.
 - 15BJ49 TO 15BJ50, 1-1/8" #14 AWG, 1-1/8" #14 AWG.
 - 15BJ50 TO 15BJ51, 1-1/8" #14 AWG, 1-1/8" #14 AWG.
 - 15BJ51 TO 15BJ52, 1-1/8" #14 AWG, 1-1/8" #14 AWG.
 - 15BJ52 TO 15BJ53, 1-1/8" #14 AWG, 1-1/8" #14 AWG.
 - 15BJ53 TO 15BJ54, 1-1/8" #14 AWG, 1-1/8" #14 AWG.
 - 15BJ54 TO 15BJ55, 1-1/8" #14 AWG, 1-1/8" #14 AWG.
 - 15BJ55 TO 15BJ56, 1-1/8" #14 AWG, 1-1/8" #14 AWG.
 - 15BJ56 TO 15BJ57, 1-1/8" #14 AWG, 1-1/8" #14 AWG.
 - 15BJ57 TO 15BJ58, 1-1/8" #14 AWG, 1-1/8" #14 AWG.
 - 15BJ58 TO 15BJ59, 1-1/8" #14 AWG, 1-1/8" #14 AWG.
 - 15BJ59 TO 15BJ60, 1-1/8" #14 AWG, 1-1/8" #14 AWG.
 - 15BJ60 TO 15BJ61, 1-1/8" #14 AWG, 1-1/8" #14 AWG.
 - 15BJ61 TO 15BJ62, 1-1/8" #14 AWG, 1-1/8" #14 AWG.
 - 15BJ62 TO 15BJ63, 1-1/8" #14 AWG, 1-1/8" #14 AWG.
 - 15BJ63 TO 15BJ64, 1-1/8" #14 AWG, 1-1/8" #14 AWG.
 - 15BJ64 TO 15BJ65, 1-1/8" #14 AWG, 1-1/8" #14 AWG.
 - 15BJ65 TO 15BJ66, 1-1/8" #14 AWG, 1-1/8" #14 AWG.
 - 15BJ66 TO 15BJ67, 1-1/8" #14 AWG, 1-1/8" #14 AWG.
 - 15BJ67 TO 15BJ68, 1-1/8" #14 AWG, 1-1/8" #14 AWG.
 - 15BJ68 TO 15BJ69, 1-1/8" #14 AWG, 1-1/8" #14 AWG.
 - 15BJ69 TO 15BJ70, 1-1/8" #14 AWG, 1-1/8" #14 AWG.
 - 15BJ70 TO 15BJ71, 1-1/8" #14 AWG, 1-1/8" #14 AWG.
 - 15BJ71 TO 15BJ72, 1-1/8" #14 AWG, 1-1/8" #14 AWG.
 - 15BJ72 TO 15BJ73, 1-1/8" #14 AWG, 1-1/8" #14 AWG.
 - 15BJ73 TO 15BJ74, 1-1/8" #14 AWG, 1-1/8" #14 AWG.
 - 15BJ74 TO 15BJ75, 1-1/8" #14 AWG, 1-1/8" #14 AWG.
 - 15BJ75 TO 15BJ76, 1-1/8" #14 AWG, 1-1/8" #14 AWG.
 - 15BJ76 TO 15BJ77, 1-1/8" #14 AWG, 1-1/8" #14 AWG.
 - 15BJ77 TO 15BJ78, 1-1/8" #14 AWG, 1-1/8" #14 AWG.
 - 15BJ78 TO 15BJ79, 1-1/8" #14 AWG, 1-1/8" #14 AWG.
 - 15BJ79 TO 15BJ80, 1-1/8" #14 AWG, 1-1/8" #14 AWG.
 - 15BJ80 TO 15BJ81, 1-1/8" #14 AWG, 1-1/8" #14 AWG.
 - 15BJ81 TO 15BJ82, 1-1/8" #14 AWG, 1-1/8" #14 AWG.
 - 15BJ82 TO 15BJ83, 1-1/8" #14 AWG, 1-1/8" #14 AWG.
 - 15BJ83 TO 15BJ84, 1-1/8" #14 AWG, 1-1/8" #14 AWG.
 - 15BJ84 TO 15BJ85, 1-1/8" #14 AWG, 1-1/8" #14 AWG.
 - 15BJ85 TO 15BJ86, 1-1/8" #14 AWG, 1-1/8" #14 AWG.
 - 15BJ86 TO 15BJ87, 1-1/8" #14 AWG, 1-1/8" #14 AWG.
 - 15BJ87 TO 15BJ88, 1-1/8" #14 AWG, 1-1/8" #14 AWG.
 - 15BJ88 TO 15BJ89, 1-1/8" #14 AWG, 1-1/8" #14 AWG.
 - 15BJ89 TO 15BJ90, 1-1/8" #14 AWG, 1-1/8" #14 AWG.
 - 15BJ90 TO 15BJ91, 1-1/8" #14 AWG, 1-1/8" #14 AWG.
 - 15BJ91 TO 15BJ92, 1-1/8" #14 AWG, 1-1/8" #14 AWG.
 - 15BJ92 TO 15BJ93, 1-1/8" #14 AWG, 1-1/8" #14 AWG.
 - 15BJ93 TO 15BJ94, 1-1/8" #14 AWG, 1-1/8" #14 AWG.
 - 15BJ94 TO 15BJ95, 1-1/8" #14 AWG, 1-1/8" #14 AWG.
 - 15BJ95 TO 15BJ96, 1-1/8" #14 AWG, 1-1/8" #14 AWG.
 - 15BJ96 TO 15BJ97, 1-1/8" #14 AWG, 1-1/8" #14 AWG.
 - 15BJ97 TO 15BJ98, 1-1/8" #14 AWG, 1-1/8" #14 AWG.
 - 15BJ98 TO 15BJ99, 1-1/8" #14 AWG, 1-1/8" #14 AWG.
 - 15BJ99 TO 15BJ100, 1-1/8" #14 AWG, 1-1/8" #14 AWG.

1215
1163

FIND NO.	PART NO.	DESCRIPTION	QTY	MATERIAL	CODE IDENT
LIST OF MATERIAL (LM)					
LIMITS ON MACHINED DIMENSIONS EXCEPT AS NOTED		150" STELLAR TELESCOPE			
ANGULAR $\pm .1^\circ$		WESTERN GEAR CORPORATION			
LINEAR: X $\pm .01$.30X $\pm .010$		HEAVY MACHINERY DIVISION EVERETT, WASHINGTON			
XX $\pm .02$ FRACTIONAL $\pm 1/32$		POLAR AXIS ASSEMBLY ELECTRICAL CONDUIT & WIRE LAYOUT (ROUTING & GENERAL LOCATION)			
MATERIAL		TRACED UPCSI 2-2-73			
APPROVED		WGN102907			
SCALE		SIZE CODE IDENT NO. REV			
WT		E 16603 2150.201E002 I			
LB SHEET		3 OF 3			