

5

4

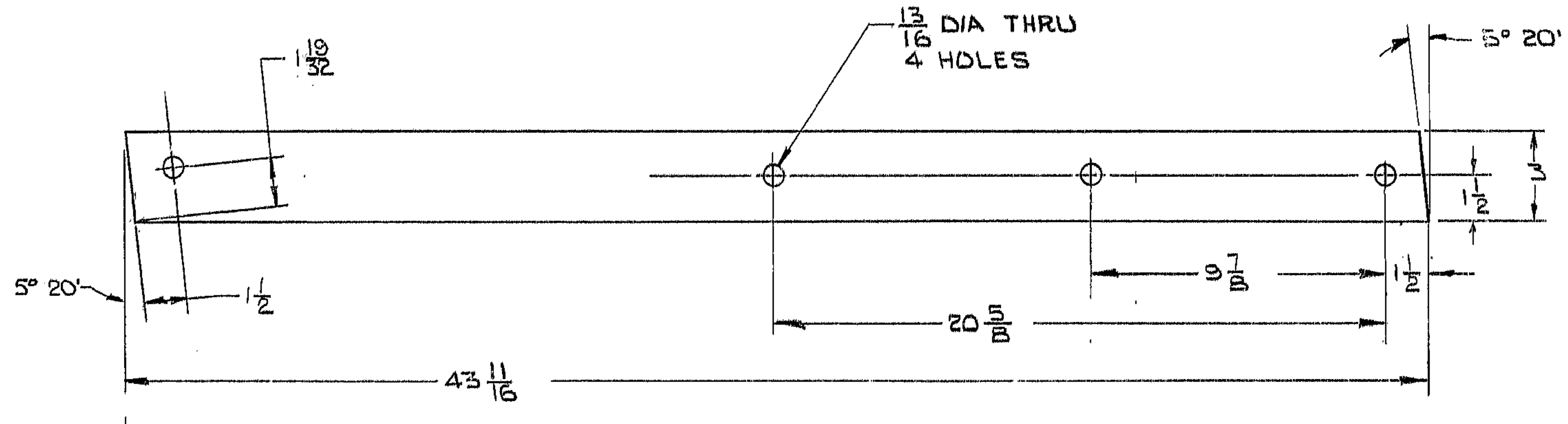
3

2

1

"THIS TECHNICAL DATA, FURNISHED UNDER UNITED STATES GOVERNMENT CONTRACT NO. _____ SHALL NOT BE EITHER RELEASED OUTSIDE THE GOVERNMENT, OR USED, DUPLICATED, OR DISCLOSED IN WHOLE OR IN PART FOR MANUFACTURE OR PROCUREMENT, WITHOUT THE WRITTEN PERMISSION OF WESTERN GEAR CORPORATION EXCEPT FOR (I) EMERGENCY REPAIR OR OVERHAUL WORK BY OR FOR THE GOVERNMENT WHERE THE ITEM OR PROCESS CONCERNED IS NOT OTHERWISE REASONABLY AVAILABLE TO ENABLE TIMELY PERFORMANCE OF THE WORK OR (II) RELEASE TO A FOREIGN GOVERNMENT AS THE INTERESTS OF THE UNITED STATES MAY REQUIRE; PROVIDED THAT IN EITHER CASE THE RELEASE, USE, DUPLICATION OR DISCLOSURE HEREOF SHALL BE SUBJECT TO THE FOREGOING LIMITATIONS. THIS LEGEND SHALL BE MARKED ON ANY REPRODUCTION HEREOF IN WHOLE OR IN PART."

REVISIONS				
ZONE	LTR	DESCRIPTION	DATE	APPROVED



REF. FILE 1163

NOTES
1. MAT'L: STL ASTM A-36 $\frac{1}{4}$ THK.

NEXT ASSY 2150.201E002

LIMITS ON MACHINED DIMENSIONS EXCEPT AS NOTED ANGULAR $\pm 1^\circ 0'$ LINEAR .X = $\pm .1$.XX = $\pm .03$.XXX = $\pm .010$ FRACTIONAL $\pm 1/32$ BREAK ALL SHARP EDGES	150" STELLAR TELESCOPE		WESTERN HEAVY MACHINERY DIVISION GEAR CORPORATION EVERETT, WASHINGTON	
	DRAWN	LDS	SPACER, P. A. CABLE W/U SUPPORT	
	CHECK		POLAR AXIS ASSY KPNO	
	ENGR	LDS	SIZE	CODE IDENT NO.
APPROVED		B	16603	2150.201B016
SCALE 1/4		WT.	~ LB	SHEET / OF /