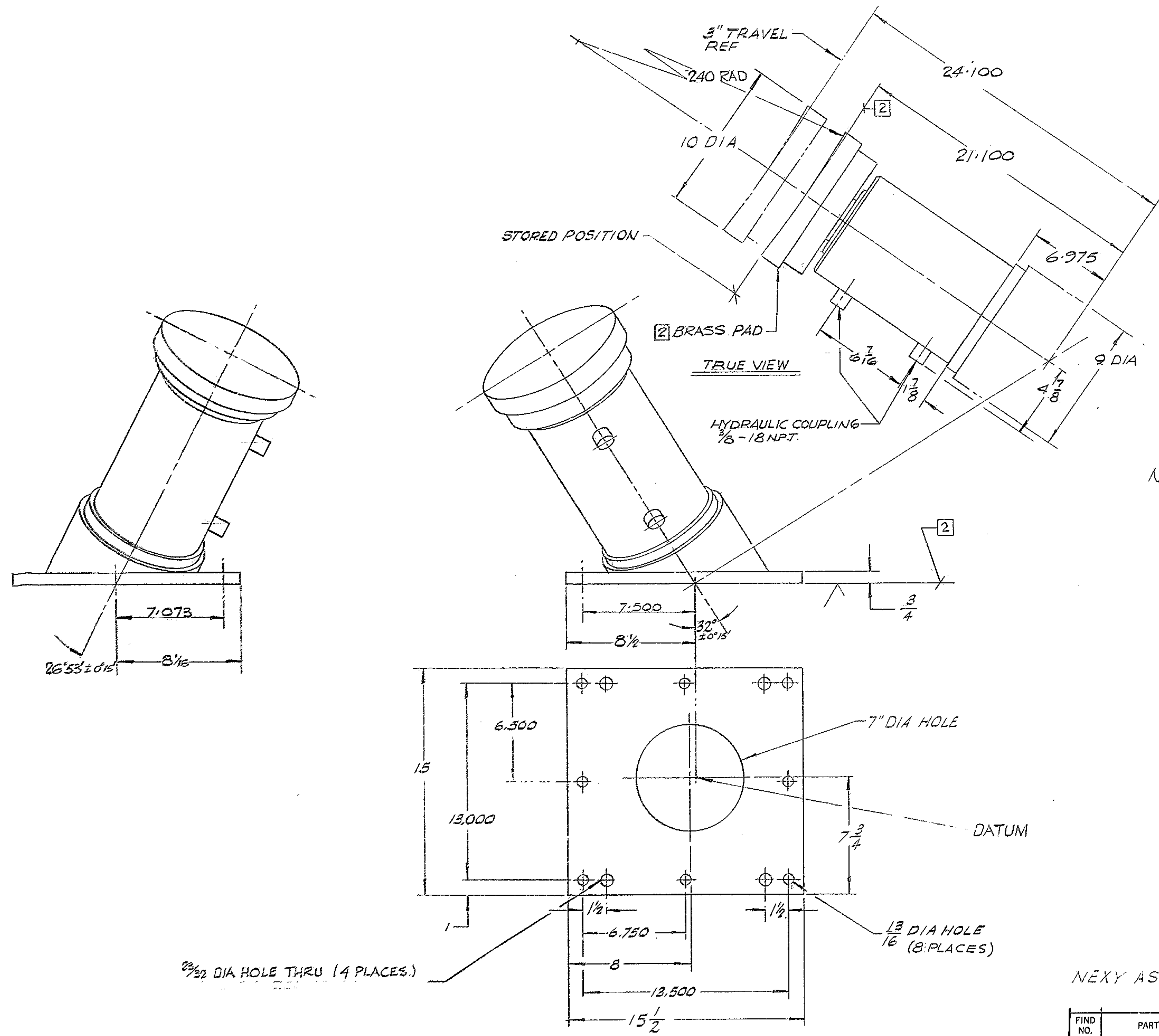


REVISIONS				
ZONE	LTR	DESCRIPTION	DATE	APPROVED
	A	REVISED PER AURA APP PRINT	6/22/68	
	B	DELETED .750 DIA REAM @ ASSY	7/15/73	LDS



- NOTES:
1. ALL DIMENSIONS ARE IN INCHES.
  2. FINISH PAINTED ALL OVER EXCEPT SURFACES MARKED 2
  3. JACK CAPACITY = 150 TONS @ 10,600 PSI.

NEXY ASS'Y: 2150.100 E 001 (W.G.N 102304)  
 2150.101 E 001 (W.G.N 102305)

1162

FIND NO.	PART NO.	DESCRIPTION	QTY	MATERIAL	CODE IDENT
LIST OF MATERIAL (LM)					
LIMITS ON MACHINED DIMENSIONS EXCEPT AS NOTED		150 <sup>LB</sup> STELLAR TELESCOPE MOUNTING		HEAVY MACHINERY DIVISION EVERETT, WASHINGTON	
ANGULAR = ± 1° 0' LINEAR: X = ± .1    XXX = ± .010 XX = ± .03    FRACTIONAL = ± 1/32		DRAWN: <i>Swann</i> 4-18-68 CHECK: <i>W. H. ...</i> 4-26-68 ENGR:			
BREAK ALL SHARP EDGES					
MATERIAL		W.G.E 107725		OUTLINE, JACK, NORTH L.H.	
APPROVED		SIZE: 3'-10" WT CODE IDENT NO.: D 16603 2150.1903 201		REV B	

FABRICATOIN TOLERANCES  
 UP TO 10 INCHES ± 1/16  
 UP TO 50 INCHES ± 1/8  
 50 INCHES AND OVER ± 1/4  
 EXCEPT AS NOTED

WESTERN GEAR CORPORATION  
 CONSTRUCTION PROJECTS  
 APPROVED FOR  
 PROCUREMENT  
 DATE 6-22-68