

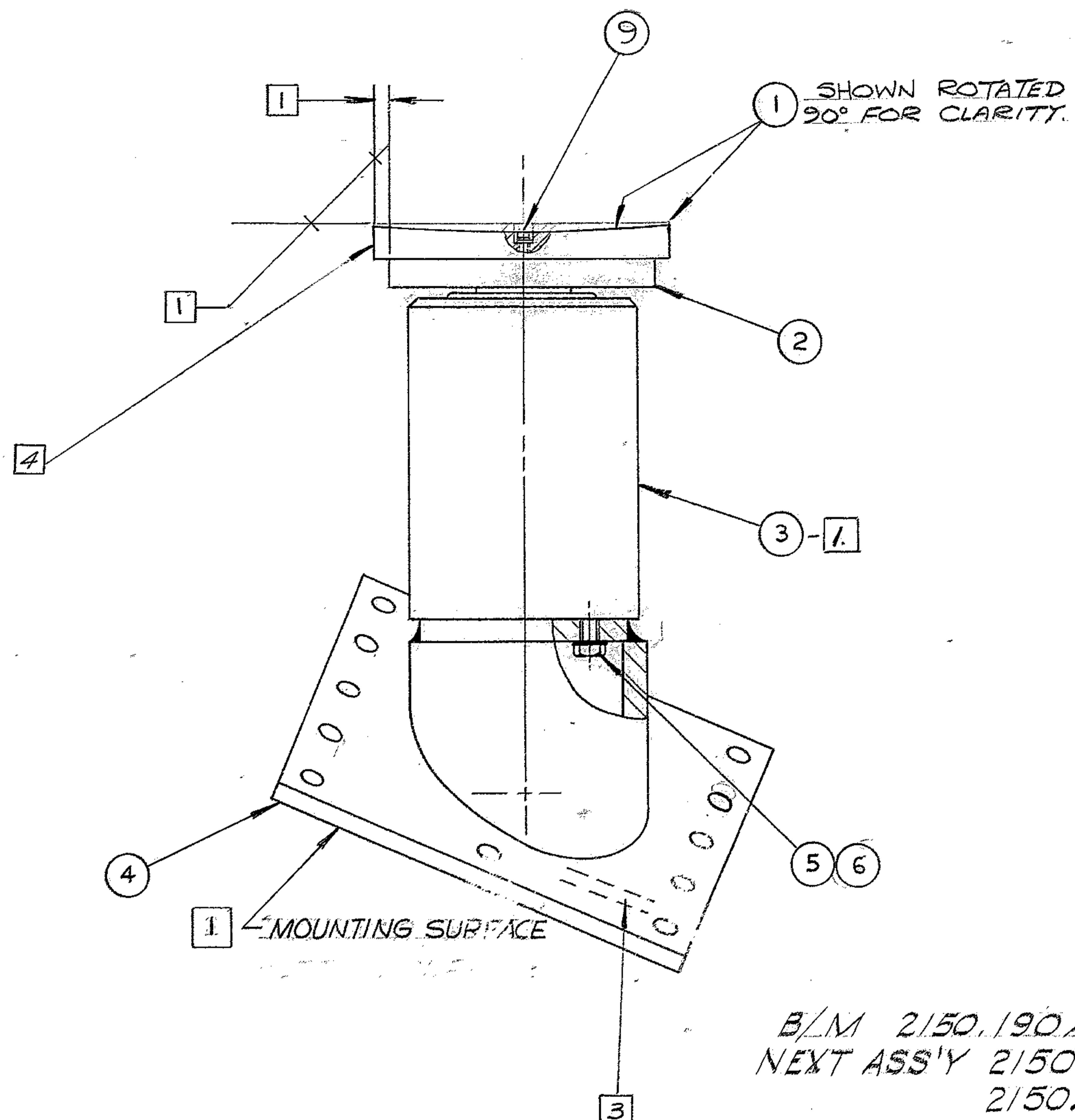
4

3

2

1

REVISIONS				
ZONE	LTR	DESCRIPTION	DATE	APPROVED
	A	REVISED PER AURA APP PRINT	6/22/68	



NOTES:

- 1. APPLY SECOND COAT PRIME PAINT ALL OVER & 2 COATS OF FINISH PAINT TO ALL EXTERNAL SURFACES W.G.C SPEC #511 EXCEPT ON SURFACES MARKED II
- 2. PROTECT ALL UNPAINTED SURFACES WITH RUST PREVENTATIVE COMPOUND, BRAYCOTE PI NO. 103 BEFORE SHIPPING
- 3. MARK ASSY NO 2150.190C 202
- 4. MARK WITH LABEL OR PAINT 'IMPORTANT'
- 5. ROTATE CAP TO MATE WITH BEARINGS SURFACE

B/M 2150.190A 202 (W.G.C 112953)  
 NEXT ASS'Y 2150.100E 002 (W.G.N 102845)  
 2150.101E 002 (W.G.N 102846)

REF. FILE 1162

FIND NO.	PART NO.	DESCRIPTION	QTY	MATERIAL	CODE IDENT
LIST OF MATERIAL (LM)					
LIMITS ON MACHINED DIMENSIONS EXCEPT AS NOTED ANGULAR = ± 1° 0' LINEAR: X = ± .1    .XXX = ± .010 .XX = ± .03    FRACTIONAL = ± 1/32		150 <sup>th</sup> STELLAR TELESCOPE MOUNTING		WESTERN GEAR CORPORATION	HEAVY MACHINERY DIVISION EVERETT, WASHINGTON
DRAWN <i>J. Brown</i> 4-18-68 CHECK <i>C. F. Hubbard</i> 4-26-68 ENGR		ASSY JACK, NORTH L.H. BASE FRAME			
MATERIAL		W.G.D 107476	SIZE C	CODE IDENT NO. 16603	REV A
APPROVED		SCALE 1/4	WT 121	LB	SHEET 1 OF 1

WESTERN GEAR CORPORATION  
 CONSTRUCTION PROJECTS  
 DEPARTMENT  
 APPROVED FOR  
 PROCUREMENT  
 DATE 6-22-68