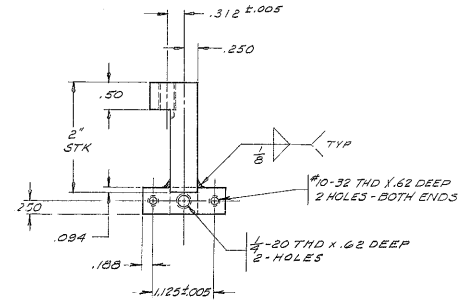
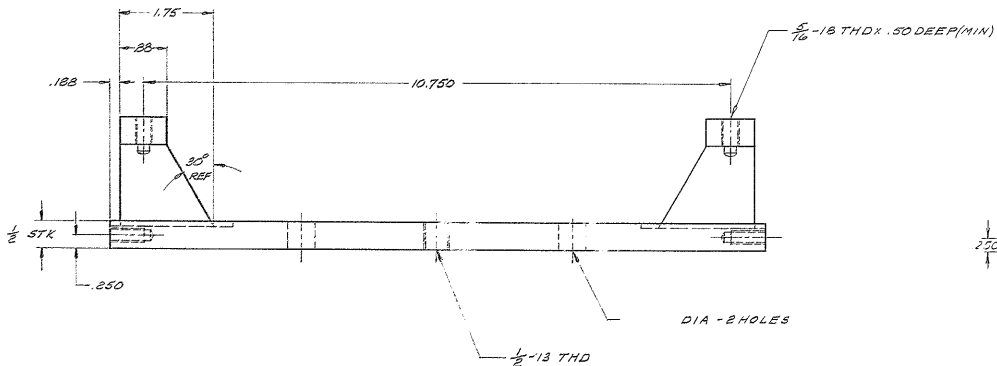
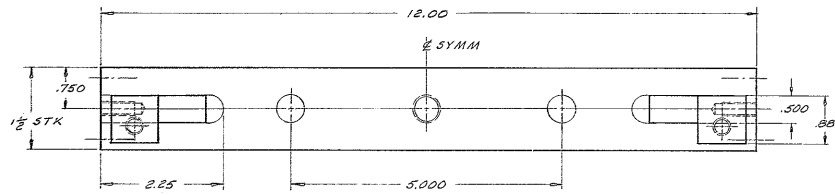


8 7 6 5 4 3 2 1

**NOTES: UNLESS OTHERWISE NOTED**

1. REMOVE ALL BURRS AND SHARP EDGES .020
2. MACHINED SURFACE ROUGHNESS  $\frac{125}{\sqrt{R}}$
3. MATL: C-1018 STEEL FLAT, COND CF.
4. WELD PER AURA SPEC 9020-A1, EXCEPT OMIT STRESS RELIEF.

REVISIONS					
ZONE	LTR	DESCRIPTION	ECR	DATE	BY / APVD



QTY REQD	PART OR IDENTIFYING NO.	DESCRIPTION	MATERIAL / SPECIFICATION	ZONE	ITEM NO.
<b>PARTS LIST</b>					
<p><b>TOLERANCES UNLESS OTHERWISE NOTED</b></p> <p>DECIMALS FRACTIONS</p> <p>XX ± .03      =</p> <p>XXX ± .030    ANGULAR ± 0° 30'</p>					
<p><b>KITT PEAK NATIONAL OBSERVATORY</b></p> <p>OPERATED BY THE ASSOCIATION OF UNIVERSITIES FOR RESEARCH IN ASTRONOMY, INC.</p> <p>UNIQUE CONTACT WITH NATIONAL SCIENCE FOUNDATION</p>					
<p>NEXT ASSEMBLY: 2150.140 E104</p> <p>NAME: <b>BRACKET-TROLLEY TRUCK</b></p> <p>REF: 1157.1b30</p>					
<p><b>SCALE: FULL</b></p> <p>PRINTING: 2150.140 D035</p> <p>DATE: 11/17/76</p>					

**THIS DRAWING IS NOT CHECKED**

8 7 6 5 4 3 2 1