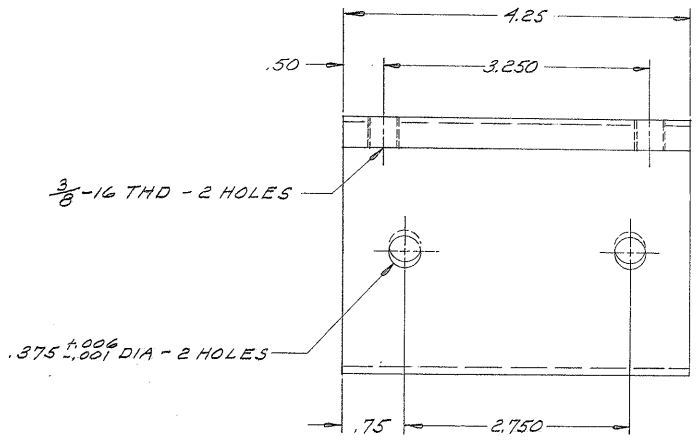
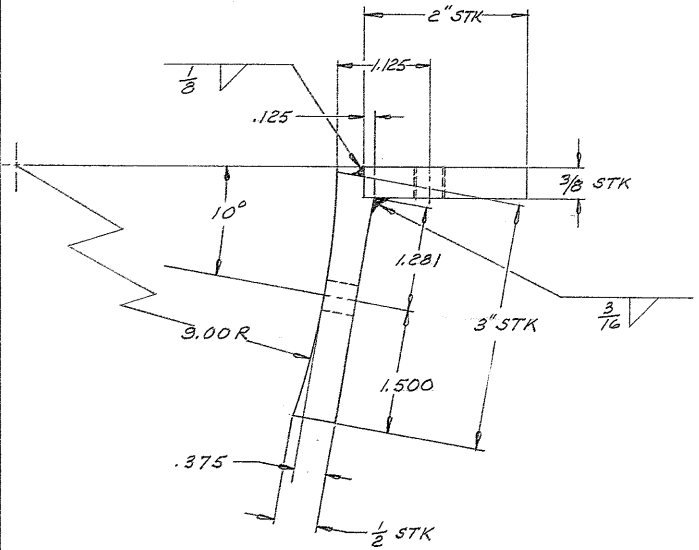


**NOTES: UNLESS OTHERWISE NOTED**

1. REMOVE ALL BURRS AND SHARP EDGES .020
2. MACHINED SURFACE ROUGHNESS  $125 \sqrt{R}$
3. MATL: C-1018 STEEL FLAT, COND CF.
4. WELD PER AURA SPEC 9020-A1 EXCEPT OMIT STRESS RELIEF.

REVISIONS						
ZONE	LTR	DESCRIPTION	EGR	DATE	BY	APVD



QTY REQD	PART OR IDENTIFYING NO.	DESCRIPTION	MATERIAL / SPECIFICATION	ITEM NO.	
<b>PARTS LIST</b>					
TOLERANCES UNLESS OTHERWISE NOTED		<b>KITT PEAK NATIONAL OBSERVATORY</b> <small>OPERATED BY THE ASSOCIATION OF UNIVERSITIES FOR RESEARCH IN ASTRONOMY, INC.</small> <small>UNDER CONTRACT WITH NATIONAL SCIENCE FOUNDATION</small>			
DECIMALS	FRACTIONS				ANGULAR
.XX ± .03	± —				± 0° 30'
NEXT ASSEMBLY 2150.140 E10A	NAME BRACKET-TRACK MOUNTING	REF FILE 1157/1530	DWG CL 		
SCALE FULL	DESIGNED BY HAGAR	DATE 5-18-76	APPROVED BY A. A. A.	DATE 7-26-76	
PRINT ISSUED	DRAWN BY HAGAR	DATE 5-18-76	APPROVED BY	DATE	
CHECKED BY	DATE	APPROVED BY	DATE	DATE	
DWG NO. 2150.140C043			REV 	RELEASED JUL 26 1976	

THIS DRAWING IS NOT CHECKED