

4

3

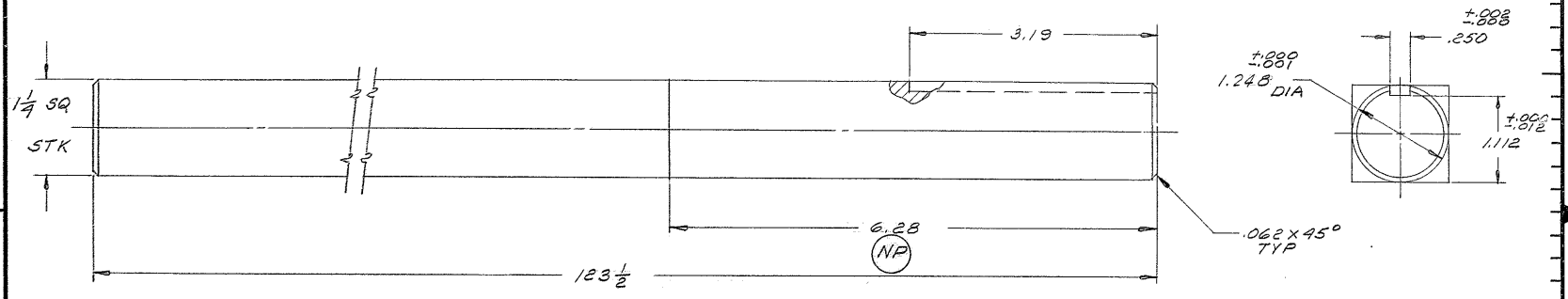
2

1

NOTES: UNLESS OTHERWISE NOTED

- 1. REMOVE ALL BURRS AND SHARP EDGES $\sqrt{.15}$
- 2. MACHINED SURFACE ROUGHNESS $125\sqrt{}$
- 3. MATL: C-1018 STEEL BAR COND CF
- 4. FINISH: PRIME - 2 COATS RED OXIDE PRIMER

REVISIONS						
ZONE	LTR	DESCRIPTION	ECR	DATE	BY	APVD
	A	ADD NOTE 4	1904	7-26-76	UG	7LB



QTY REQD	PART OR IDENTIFYING NO.	DESCRIPTION	MATERIAL / SPECIFICATION	ITEM NO.
PARTS LIST				
TOLERANCES UNLESS OTHERWISE NOTED DECIMALS FRACTIONS ANGULAR .XX ± .03 ± 1/16 ± 0° 30'		KITT PEAK NATIONAL OBSERVATORY <small>OPERATED BY THE ASSOCIATION OF UNIVERSITIES FOR RESEARCH IN ASTRONOMY, INC. UNDER CONTRACT WITH NATIONAL SCIENCE FOUNDATION</small>		
NEXT ASSEMBLY 2150.140 E104	NAME SHAFT, EAST	REF FILE 1157/1530	DWG NO. 2150.140C041A	
SCALE NONE PRINT ISSUED	DESIGNED BY HAGER	DATE 5/17/76	APPROVED BY A. P. A.	DATE 7-26-76
	CHECKED BY HAGER	DATE 5/17/76	APPROVED BY (Signature)	DATE 7-26-76
			RELEASE DATE 2 8 1979	

THIS DRAWING IS NOT CHECKED

4

3

2

1

DPA 7-26-76