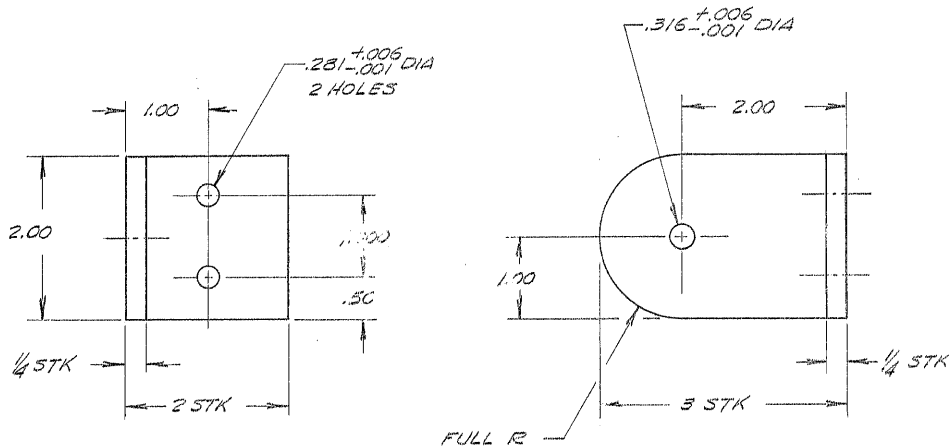


NOTES: UNLESS OTHERWISE NOTED

1. REMOVE ALL BURRS AND SHARP EDGES $\frac{0.10}{125}$ R MAX
2. MACHINED SURFACE ROUGHNESS $\frac{125}{125}$
3. MATERIAL: STRUCTURAL SIZE ANGLE-STEEL
 $5 \times 2 \times \frac{1}{4}$
4. FINISH: PAINT TO MATCH TELESCOPE AT ASSY

REVISIONS					
LTR	DESCRIPTION	ECR	DATE	BY	APVD



TOLERANCES UNLESS OTHERWISE NOTED
 DECIMALS FRACTIONS ANGULAR
 .XX ± .03 ± — ± 0° 30'
 .XXX ± .010 ± — ± 0° 30'

KITT PEAK NATIONAL OBSERVATORY
 OPERATED BY THE
 ASSOCIATION OF UNIVERSITIES FOR RESEARCH IN ASTRONOMY, INC.
 UNDER CONTRACT WITH
 NATIONAL SCIENCE FOUNDATION

NEXT ASSEMBLY
 2150.140E104

NAME
 BRACKET-ANGLE,
 SHEAVE MTG

REP
 FILE 1157

SCALE 1/1
 PRINT ISSUED

DESIGNED BY
 DATE 2-13-78
 DRAWN BY
 DATE 2-13-78
 CHECKED BY
 DATE

APPROVED BY
 DATE 4-19-78
 APPROVED BY
 DATE 4-19-78
 APPROVED BY
 DATE 4-19-78

DWG NO.
 2150.140B054
 RELEASE DATE 4-19-78

REV

THIS DRAWING IS
 ~NOT~
 CHECKED