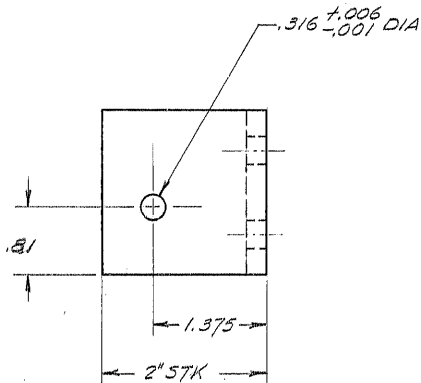
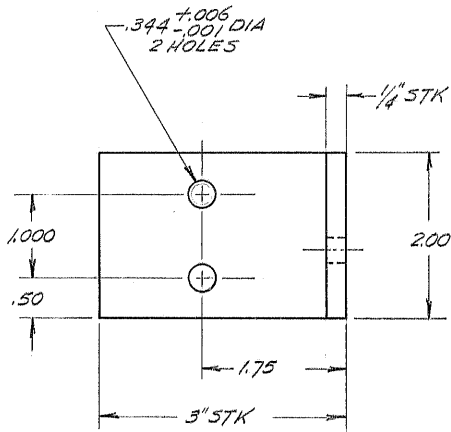


NOTES: UNLESS OTHERWISE NOTED

1. REMOVE ALL BURRS AND SHARP EDGES .010 R MAX
2. MACHINED SURFACE ROUGHNESS $\frac{125}{\sqrt{V}}$
3. MATERIAL: STRUCTURAL SIZE ANGLE
3 X 2 X 1/4
4. FINISH: CAD PLATE

REVISIONS				
LTR	DESCRIPTION	E.C.R.	DATE	BY/APVD
A	Add Note 4		1964 7-26-76	WJ/B



-1 SHOWN
-2 OPPOSITE

TOLERANCES UNLESS OTHERWISE NOTED		KITT PEAK NATIONAL OBSERVATORY <small>OPERATED BY THE ASSOCIATION OF UNIVERSITIES FOR RESEARCH IN ASTRONOMY, INC. UNDER CONTRACT WITH NATIONAL SCIENCE FOUNDATION</small>			
DECIMALS	FRACTIONS				
.XX ± .03	± —	± 0° 30'			
.XXX ± .010					
NEXT ASSEMBLY 2150.140E104	NAME ANGLE-ATTACHMENT	REF FILE 1157 / 1530			
SCALE 1/1	DESIGNED BY V109/ALC	DATE 6-22-76	APPROVED BY R. A. P.	DATE 7-26-76	DWG NO. 2150.140B050
PRINT ISSUED	DRAWN BY CNS107/ETH	DATE 6-22-76	APPROVED BY	DATE	REV A
	CHECKED BY	DATE	APPROVED BY	DATE	RELEASE DATE JUL 28 1976

THIS DRAWING IS
 NOT
 CHECKED

PK 7-26-76