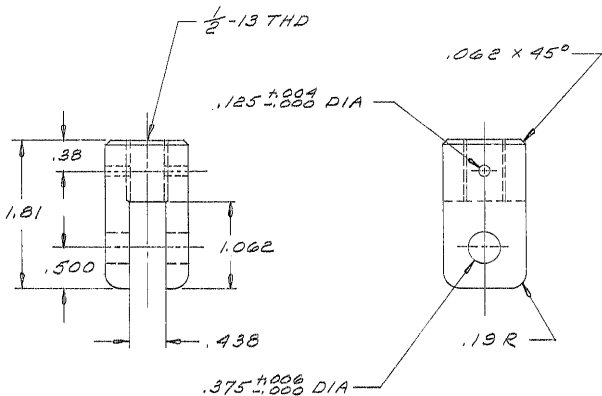


**NOTES: UNLESS OTHERWISE NOTED.**

1. REMOVE ALL BURRS AND SHARP EDGES — R MAX
2. MACHINED SURFACE ROUGHNESS  $125/\sqrt{\quad}$
3. MATL: 1" DIA STEEL BAR  
C-1018 COND CF

**REVISIONS**

LTR	DESCRIPTION	ECR	DATE	BY	APVD



TOLERANCES UNLESS OTHERWISE NOTED  
 DECIMALS FRACTIONS ANGULAR  
 .XX ± .03      ±      ± 0° 30'

**KITT PEAK NATIONAL OBSERVATORY**

OPERATED BY THE  
 ASSOCIATION OF UNIVERSITIES FOR RESEARCH IN ASTRONOMY, INC.  
 UNDER CONTRACT WITH  
 NATIONAL SCIENCE FOUNDATION

NEXT ASSEMBLY  
 2150.140  
 E104

NAME

CLEVIS

REF FILE 1157/1530

SCALE FULL

DESIGNED BY  
 HAGAR

DATE  
 3-18-76

APPROVED BY  
 A. P. A.

DATE  
 7-24-76

DWG NO.

2150.140A044

REV

PRINT ISSUED

DRAWN BY  
 HAGAR

DATE  
 3-18-76

APPROVED BY

DATE

CHECKED BY

DATE

APPROVED BY

DATE

RELEASE DATE

2.8.1976