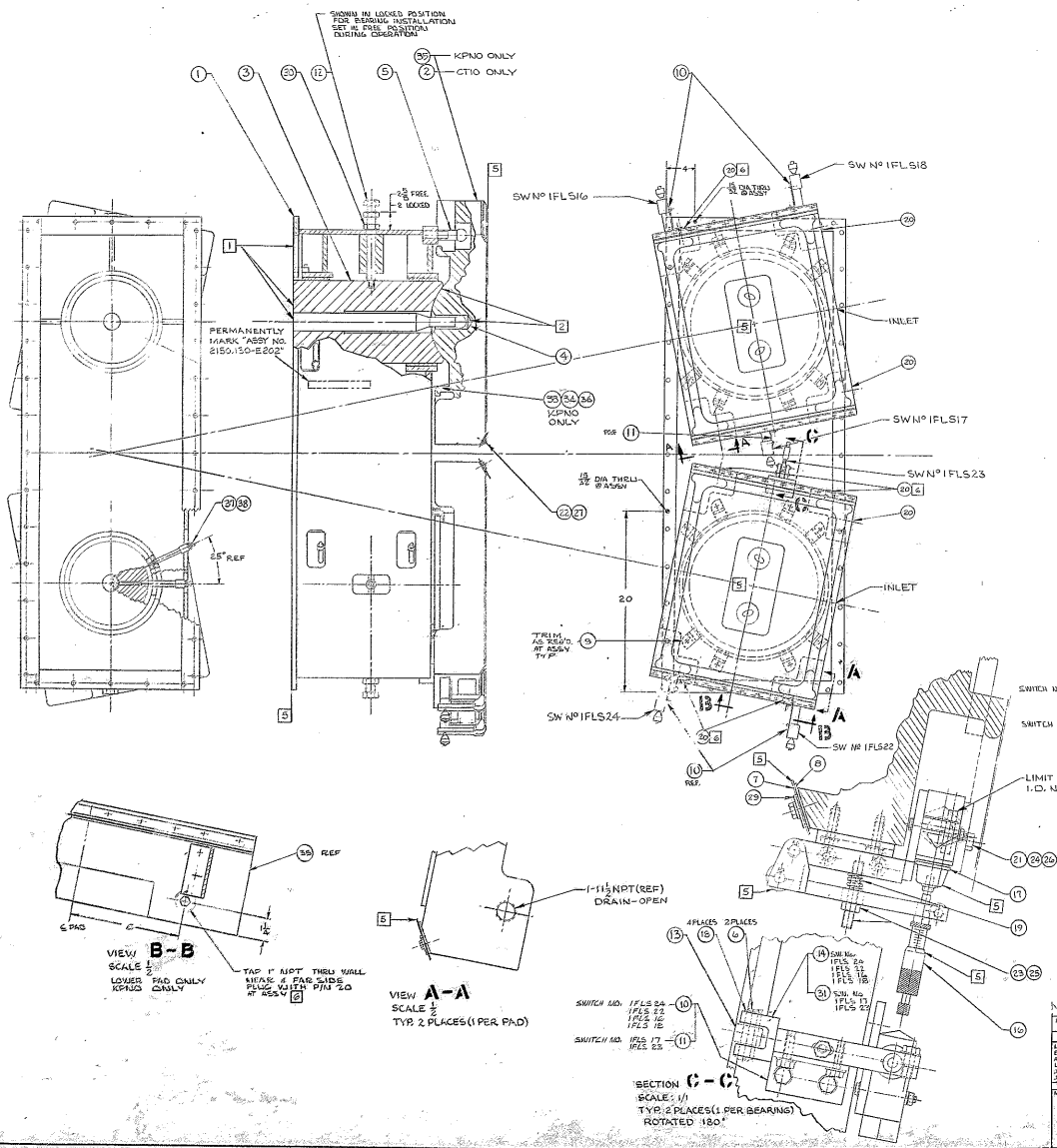


ZONE	REV	DESCRIPTION	DATE	APPROVED
A	1	REVISED PER AURA APPR CONST. PRINT DATED 4-24-68		
B	1	ASSG. DIALS TO LIST		
C	1	ADDED PARTS 25, 26, 27, 28, 29, 30, 31, 32, 33, 34, 35, 36, 37, 38, 39, 40, 41, 42, 43, 44, 45, 46, 47, 48, 49, 50, 51, 52, 53, 54, 55, 56, 57, 58, 59, 60, 61, 62, 63, 64, 65, 66, 67, 68, 69, 70, 71, 72, 73, 74, 75, 76, 77, 78, 79, 80, 81, 82, 83, 84, 85, 86, 87, 88, 89, 90, 91, 92, 93, 94, 95, 96, 97, 98, 99, 100		
D	1	ADDED PARTS CALLOUTS & KPMO CTIO NOTED		
E	1	FINISHES TO BE AS SHOWN		
F	1	ADDED PARTS 25, 26, 27, 28, 29, 30, 31, 32, 33, 34, 35, 36, 37, 38, 39, 40, 41, 42, 43, 44, 45, 46, 47, 48, 49, 50, 51, 52, 53, 54, 55, 56, 57, 58, 59, 60, 61, 62, 63, 64, 65, 66, 67, 68, 69, 70, 71, 72, 73, 74, 75, 76, 77, 78, 79, 80, 81, 82, 83, 84, 85, 86, 87, 88, 89, 90, 91, 92, 93, 94, 95, 96, 97, 98, 99, 100		
G	1	ADDED PARTS 25, 26, 27, 28, 29, 30, 31, 32, 33, 34, 35, 36, 37, 38, 39, 40, 41, 42, 43, 44, 45, 46, 47, 48, 49, 50, 51, 52, 53, 54, 55, 56, 57, 58, 59, 60, 61, 62, 63, 64, 65, 66, 67, 68, 69, 70, 71, 72, 73, 74, 75, 76, 77, 78, 79, 80, 81, 82, 83, 84, 85, 86, 87, 88, 89, 90, 91, 92, 93, 94, 95, 96, 97, 98, 99, 100		
H	1	ADDED PARTS 25, 26, 27, 28, 29, 30, 31, 32, 33, 34, 35, 36, 37, 38, 39, 40, 41, 42, 43, 44, 45, 46, 47, 48, 49, 50, 51, 52, 53, 54, 55, 56, 57, 58, 59, 60, 61, 62, 63, 64, 65, 66, 67, 68, 69, 70, 71, 72, 73, 74, 75, 76, 77, 78, 79, 80, 81, 82, 83, 84, 85, 86, 87, 88, 89, 90, 91, 92, 93, 94, 95, 96, 97, 98, 99, 100		



- NOTES:
- SHAFT (ITEM 3) ROD CENTER (ITEM 4) TO BE FLUSH WITH BASE OF HOUSING (ITEM 1).
 - DRY LUBE SPHERICAL SURFACE WITH MOLYCOTE OR EQUIV.
 - MARK LIMIT SWITCHES WITH IDENTIFICATION NUMBERS AS SHOWN USING RUBBER STAMP WITH EPOXY INK.
 - PROTECT ALL UNPAINTED SURFACES WITH EBAYCOTE P1103 RUST PREVENTIVE COMPOUND BEFORE SHIPPING.
 - APPLY SECOND COAT OF PRIME PAINT AND TWO COATS OF FINISH EMANEL PER MGC SPEC'T 111 EXCEPT WHERE NOTED THUS [5].
 - PART MUST BE FLUSH WITH BEARING PAD FOR LIMIT SWITCH MOUNTING.

WESTERN GEAR CORPORATION
CONSTRUCTION PROJECTS
EQUIPMENT
APPROVED FOR
PROCUREMENT
DATE: 12-2-68

NEXT ASSY: 2150.101E-002 (WGN102.930)		REF FILE 1156	
FILE NO.	PART NO.	DESCRIPTION	MATERIAL
150	STELLAR TELESCOPE MOUNTING	WESTERN GEAR CORPORATION	NEW MACHINERY DESIGN DEPT. WASHINGTON
ASSEMBLY			
SOUTH WROSTHIC THRUST BEARING, LEFT HAND			
WGN102.918	FILE NO. (REV. NO.)	16603	2150.130E-202
DATE	ORIG.	SCALE	1/1

