

4

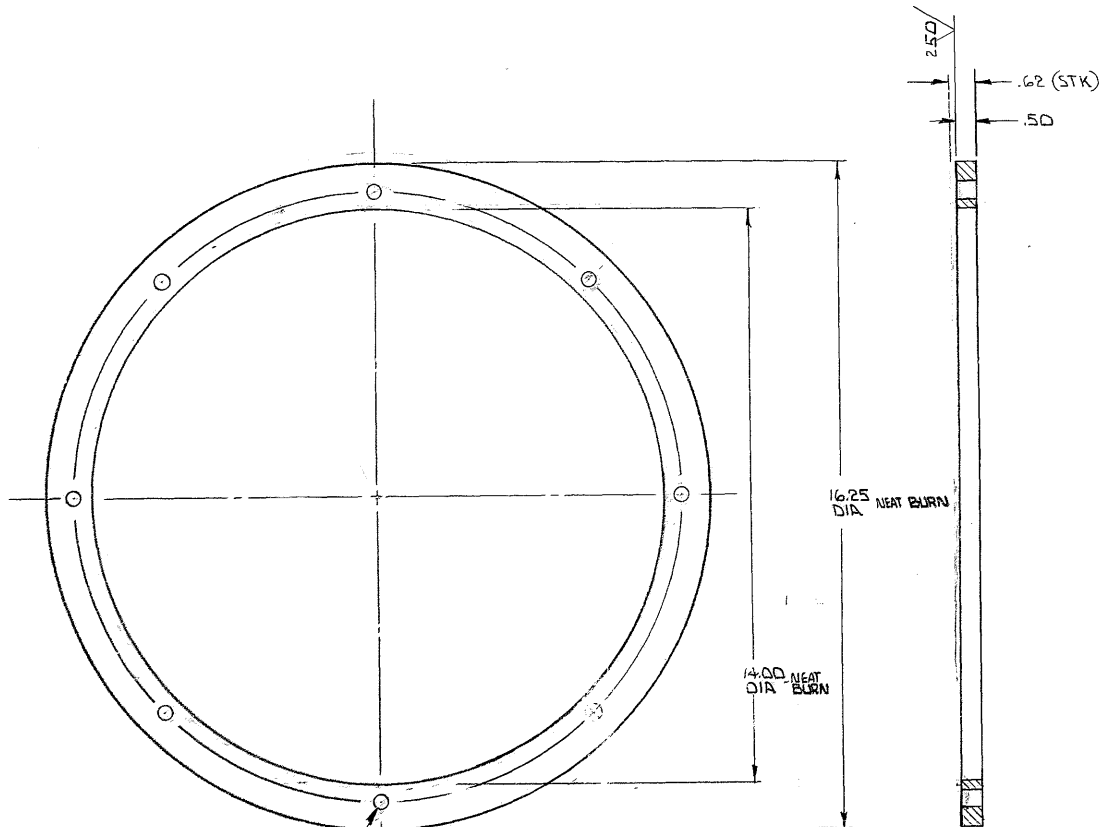
3

2

1

THIS DOCUMENT CONTAINS INFORMATION PROPRIETARY TO WESTERN GEAR CORPORATION. ALL DESIGN, MANUFACTURING, REPRODUCTION, USE, PATENT AND SALES RIGHTS REGARDING THE SAME ARE HEREBY EXPRESSLY RESERVED BY WESTERN GEAR CORPORATION. THIS DOCUMENT IS SUBMITTED FOR REFERENCE PURPOSES ONLY AND SHALL NOT BE DISCLOSED TO ANY UNAUTHORIZED PERSON OR INCORPORATED INTO ANY OTHER PROJECT.

REVISIONS				
ZONE	LTR	DESCRIPTION	DATE	APPROVED
	A	INITIAL RELEASE	11-3-70	
	B	REMOVED 14.25 DIA REGISTER HOLES WERE 7/8 AND C BORED.	3/12/73	LOS



2150.130 E10Z
NEXT ASSY 2150.130 E20Z

REF.
FILE 1156

FIND NO.	PART NO.	DESCRIPTION	QTY	MATERIAL	CODE IDENT																				
LIST OF MATERIAL (LM)																									
LIMITS ON MACHINED DIMENSIONS EXCEPT AS NOTED ANGULAR = ± 1° LINEAR: X = ± .1 .XXX = ± .010 .XX = ± .03 FRACTIONAL = ± 1/32 BREAK ALL SHARP EDGES			<table border="1"> <tr> <td>DRAWN SKILES</td> <td>11-3-70</td> </tr> <tr> <td>CHECK</td> <td></td> </tr> <tr> <td>ENGR D. SKILES</td> <td>11-4-70</td> </tr> </table>			DRAWN SKILES	11-3-70	CHECK		ENGR D. SKILES	11-4-70														
DRAWN SKILES	11-3-70																								
CHECK																									
ENGR D. SKILES	11-4-70																								
MATERIAL STL ASTM A-36 5/8 x 1 1/4 DIA.			<table border="1"> <tr> <td colspan="2" style="text-align: center;">Western GEAR CORPORATION</td> <td colspan="2" style="text-align: center;">HEAVY MACHINERY DIVISION EVERETT, WASHINGTON</td> </tr> <tr> <td colspan="4" style="text-align: center;">BEARING RETAINER KPN0 SOUTH HYDROSTATIC BEARING</td> </tr> <tr> <td>SIZE</td> <td>CODE IDENT NO.</td> <td></td> <td>REV</td> </tr> <tr> <td>C</td> <td>16603</td> <td>2150.130 C016</td> <td>B</td> </tr> <tr> <td>SCALE</td> <td>WT</td> <td>LB</td> <td>SHEET OF</td> </tr> </table>			Western GEAR CORPORATION		HEAVY MACHINERY DIVISION EVERETT, WASHINGTON		BEARING RETAINER KPN0 SOUTH HYDROSTATIC BEARING				SIZE	CODE IDENT NO.		REV	C	16603	2150.130 C016	B	SCALE	WT	LB	SHEET OF
Western GEAR CORPORATION		HEAVY MACHINERY DIVISION EVERETT, WASHINGTON																							
BEARING RETAINER KPN0 SOUTH HYDROSTATIC BEARING																									
SIZE	CODE IDENT NO.		REV																						
C	16603	2150.130 C016	B																						
SCALE	WT	LB	SHEET OF																						
APPROVED			D107394																						