

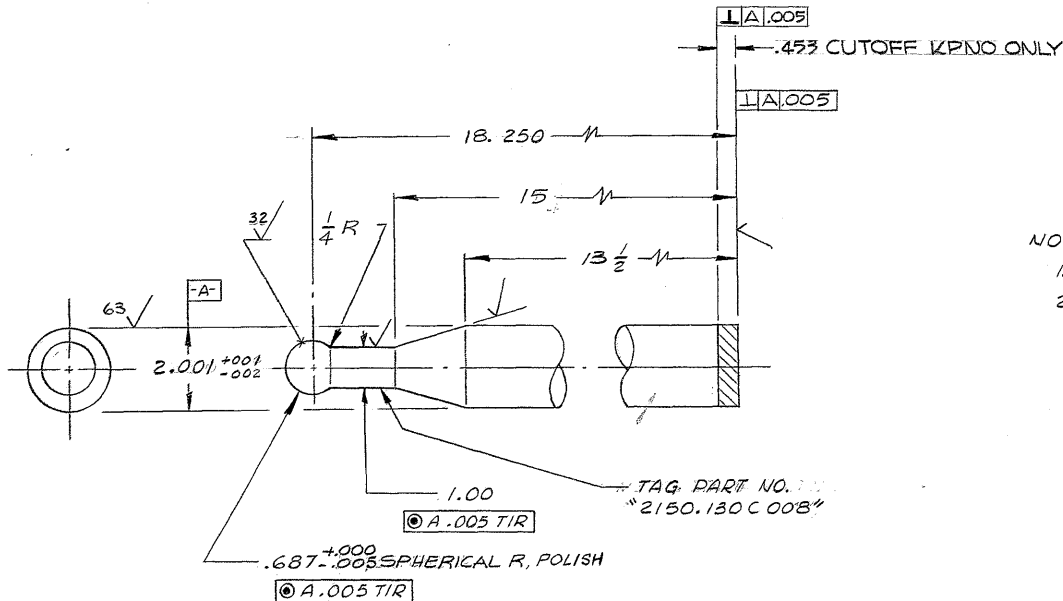
4

3

2

1

REVISIONS				
ZONE	LTR	DESCRIPTION	DATE	APPROVED
	A	REVISED PER AURA APPR. CONST. PRINT DATED 4-24-68		
0-248	B	ADDED ".453 CUTOFF KPNO" DIM "AS BUILT"	2/8/71	JW



## NOTES:

1. ALL DIMENSIONS ARE IN INCHES.
2. ALL SURFACES MARKED  $\sqrt{\quad}$  TO BE  $\sqrt{\quad}$  EXCEPT AS NOTED.

2150.130E202 (W.G.N 102918)  
NEXT ASSY 2150.130E102 (W.G.N 102917)

REF. 1156

WESTERN GEAR CORPORATION  
CONSTRUCTION PROJECTS  
DEPARTMENT  
APPROVED FOR  
PROCUREMENT  
DATE APR 29 1968

FIND NO.	PART NO.	DESCRIPTION	QTY	MATERIAL	CODE IDENT
LIST OF MATERIAL (LM)					
LIMITS ON MACHINED DIMENSIONS EXCEPT AS NOTED ANGULAR = $\pm 1^\circ$ LINEAR: X = $\pm .1$ .XXX = $\pm .010$ .XX = $\pm .03$ FRACTIONAL = $\pm 1/32$ BREAK ALL SHARP EDGES		150 IN STELLAR TELESCOPE MOUNTING		western GEAR CORPORATION HEAVY MACHINERY DIVISION EVERETT, WASHINGTON	
MATERIAL H.R.S. AISI C-1018-7 OR EQUIV. 2 1/4 DIA X 19 1/2		DRAWN F. Costa 2-14-68 CHECKED J. Niday 3-15-68 ENGR		ROD, CENTER HYDROSTATIC THRUST BEARING	
APPROVED		WGD 107337		SIZE C 16603	CODE IDENT NO. 2150.130C008
				SCALE 1/2	WT 25
				LB SHEET 1	OF 1
				REV B	