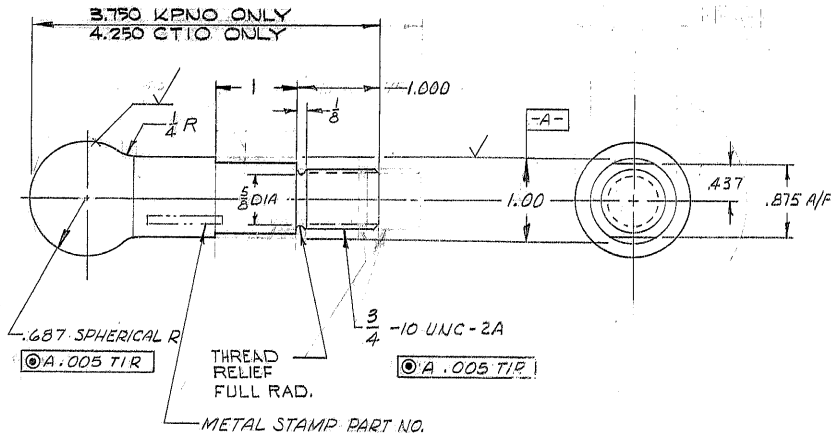


REVISIONS				
ZONE	LTR	DESCRIPTION	DATE	APPROVED
	A	REVISED PER AURA APPR CONST. PRINT DATED 4-24-68		
C-5	B	3.750 KPNO LENGTH ADDED REV. "AS BUILT"	2/8/71	JW



## NOTES:

1. ALL DIMENSIONS ARE IN INCHES.
2. ALL SURFACES SHALL BE  $\sqrt{25}$  UNLESS OTHERWISE SPECIFIED.
3. MATERIAL - AISI 1 $\frac{1}{2}$  DIA X 4 $\frac{3}{4}$  LG. C1018 OR EQUIV.

REF.  
FILE 1156

METAL STAMP PART NO.  
"2150.130.B009"

WESTERN GEAR CORPORATION  
CONSTRUCTION PROJECTS  
DEPARTMENT  
APPROVED FOR  
PROCUREMENT

DATE APR 29 1968

DATE APR 29 1968

LIMITS ON  
MACHINED DIMENSIONS  
EXCEPT AS NOTED  
ANGULAR  $\pm 1^\circ 0'$   
LINEAR  
X  $\pm .1$   
XX  $\pm .03$   
XXX  $\pm .010$   
FRACTIONAL  $\pm 1/32$

BREAK ALL  
SHARP EDGES

2150.130E202 (W.G.N 102918)  
NEXT ASSY 2150.130E102 (W.G.N 102917)

150W STELLAR  
TELESCOPE  
MOUNTING

DRAWN *F. Costa*  
CHECKED *F. Costa*  
ENGR

WGC 112336  
APPROVED

WESTERN  
GEAR CORPORATION

HEAVY MACHINERY DIVISION  
EVERETT, WASHINGTON

PIN, LOCATING  
HYDROSTATIC THRUST BEARING

SIZE CODE IDENT NO. REV  
B 16603 2150.130B009 B

SCALE 1/1 WT. 4 LB SHEET 1 OF 1