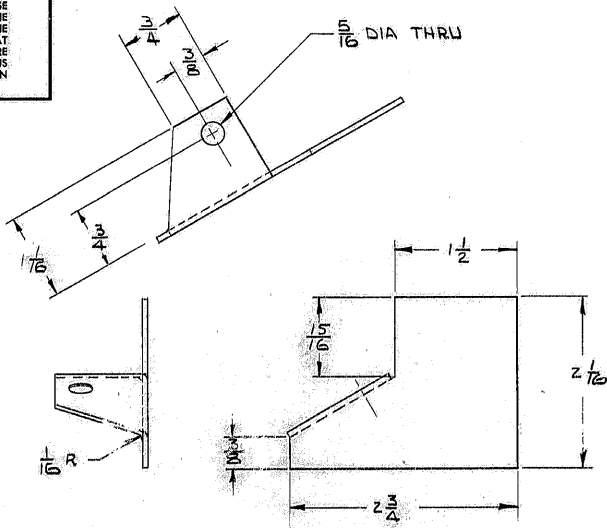


"THIS TECHNICAL DATA, FURNISHED UNDER UNITED STATES GOVERNMENT CONTRACT NO. _____ SHALL NOT BE EITHER RELEASED OUTSIDE THE GOVERNMENT, OR USED, DUPLICATED, OR DISCLOSED IN WHOLE OR IN PART FOR MANUFACTURE OR PROCUREMENT, WITHOUT THE WRITTEN PERMISSION OF WESTERN GEAR CORPORATION EXCEPT FOR: (I) EMERGENCY REPAIR OR OVERHAUL WORK BY OR FOR THE GOVERNMENT WHERE THE ITEM OR PROCESS CONCERNED IS NOT OTHERWISE REASONABLY AVAILABLE TO ENABLE TIMELY PERFORMANCE OF THE WORK OR; (II) RELEASE TO A FOREIGN GOVERNMENT AS THE INTERESTS OF THE UNITED STATES MAY REQUIRE; PROVIDED THAT IN EITHER CASE THE RELEASE, USE, DUPLICATION OR DISCLOSURE HEREOF SHALL BE SUBJECT TO THE FOREGOING LIMITATIONS. THIS LEGEND SHALL BE MARKED ON ANY REPRODUCTION HEREOF IN WHOLE OR IN PART."



NOTES

1. MAT'L - STL H.R.
16 GA (069) 2 1/16 x 2 3/4.
2. STL STAMP P/N Z150.110B014.
3. APPLY (1) COAT OF PRIME PAINT.

NEXT ASSY Z150.110E20Z

LIMITS ON MACHINED DIMENSIONS EXCEPT AS NOTED
ANGULAR $\pm 1^{\circ} 0'$
LINEAR
.X $\pm .1$
.XX $\pm .03$
.XXX $\pm .010$
FRACTIONAL $\pm 1/32$

BREAK ALL SHARP EDGES

REVISIONS				
ZONE	LTR	DESCRIPTION	DATE	APPROVED

REF. FILE 1154	
NEXT ASSY Z150.110E20Z	
LIMITS ON MACHINED DIMENSIONS EXCEPT AS NOTED ANGULAR $\pm 1^{\circ} 0'$ LINEAR .X $\pm .1$.XX $\pm .03$.XXX $\pm .010$ FRACTIONAL $\pm 1/32$	150" STELLAR TELESCOPE
DRAWN LDS	WESTERN HEAVY MACHINERY DIVISION GEAR CORPORATION EVERETT, WASHINGTON
CHECK	OIL DEFLECTOR
ENGR SKILES	NORTH RADIAL BEARING
APPROVED	SIZE CODE IDENT NO. REV
	B 16603 2150.110B014
SCALE FULL WT.	LB SHEET 1 OF 1