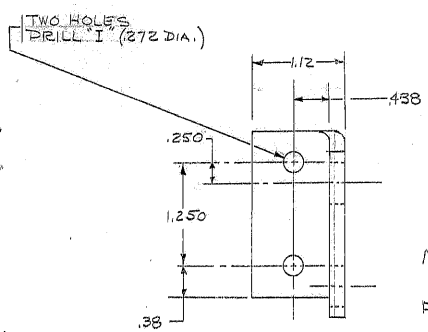
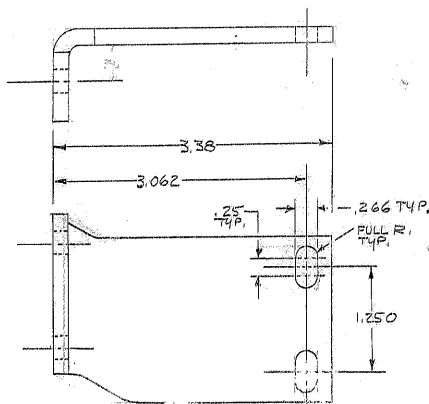


NOTES: UNLESS OTHERWISE NOTED

1. REMOVE ALL BURRS AND SHARP EDGES .01 R MAX
2. MACHINED SURFACE ROUGHNESS  $\frac{125}{\sqrt{}}$

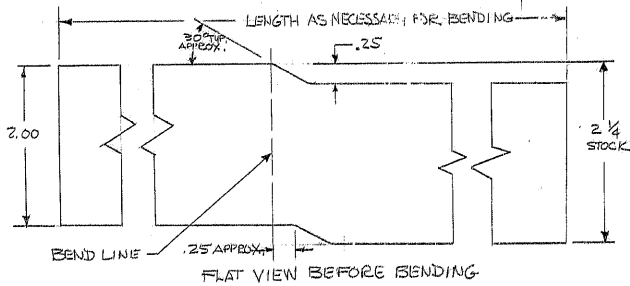
REVISIONS

LTR	DESCRIPTION	ECR	DATE	BY	APVD



12 FEB 73

MATERIAL:  $2\frac{1}{4} \times \frac{3}{16}$   
H.R. STEEL BAR.  
FINISH: CAD. PLATE



TOLERANCES UNLESS OTHERWISE NOTED		
DECIMALS	FRACTIONS	ANGULAR
.XX ± .03	± $\frac{1}{32}$	± 0° 30'
.XXX ± .010	± $\frac{1}{64}$	

**KITT PEAK NATIONAL OBSERVATORY**  
OPERATED BY THE  
ASSOCIATION OF UNIVERSITIES FOR RESEARCH IN ASTRONOMY, INC.  
UNDER CONTRACT WITH  
NATIONAL SCIENCE FOUNDATION

NEXT ASSEMBLY 2150.110E102 2150.110E202 2150.111E102	NAME LIMIT SWITCH BRACKET NORTH HYDROSTATIC BRG. ASSY.	REP FILE 1154
SCALE FULL	DESIGNED BY F.H. BUDY	DATE 8/24/72
PRINT ISSUED	APPROVED BY F.H. BUDY	DATE 10/21/72
CHECKED BY	DATE	APPROVED BY
DATE	DATE	DATE
DWG NO. 2150.110B013	REV	RELEASE DATE 12-12-73